



Flow Control, Needle & Check Valves



FLOW, NEEDLE & CHECK VALVES

Hydraulic Ball Valves



HYDRAULIC BALL VALVES

Weld Couplings



WELD COUPLINGS

Flanges



FLANGES



FLOW, NEEDLE & CHECK VALVES

HYDRAULIC BALL VALVES

WELD COUPLINGS

FLANGES



Carbon Steel Check Valves4

Carbon Steel Flow Control Valves.....6

Carbon Steel Needle Valves.....8

Brass Check Valves10

Brass Flow Control Valves 11

Brass Needle Valves.....12

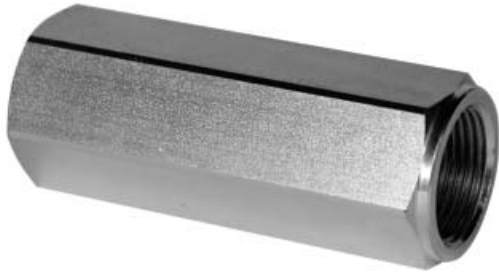
FLOW, NEEDLE & CHECK VALVES

HYDRAULIC BALL VALVES

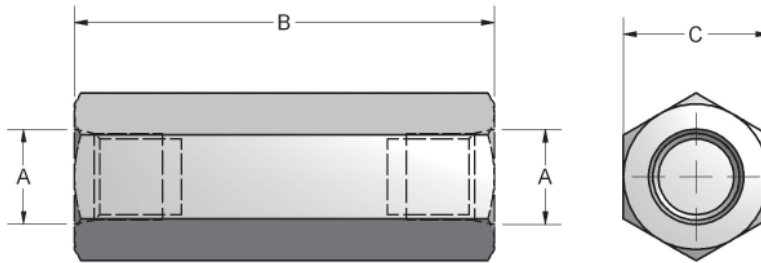
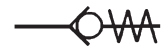
WELD COUPLINGS

FLANGES

Check Valves (Carbon Steel)



- NPT & SAE Connections
- Carbon Steel With Zinc Dichromate Plating
- Available in 7 PSI & 65 PSI Spring Cracking Pressures
- Metal to Metal Seat
- Hardened Poppet
- Optional Restrictor Orifice Available



CHECK VALVES					
A		B	C	MAX PSI	WEIGHT (LBS)
NPT	SAE				
1/4"	#4	2.17	.75	5700	.2
3/8"	N/A	2.68	.95	5700	.4
N/A	#6	2.28	.75	5700	.2
1/2"	N/A	2.95	1.06	5700	.5
N/A	#8	2.72	.95	5700	.4
3/4"	#12	3.48	1.38	5700	1.0
1"	#16	4.33	1.61	5000	1.6
1 1/4"	#20	4.72	2.17	5000	3.4
1 1/2"	#24	5.43	2.56	5000	5.6
2"	#32	5.43	2.95	4500	6.7

FLOW, NEEDLE & CHECK VALVES

HYDRAULIC BALL VALVES

WELD COUPLINGS

FLANGES

Model Code Breakdown

C N 1/2 - 1 - 7 - _

Valve Series •

Thread Type •

N	NPT Pipe Thread
S#	SAE Straight Thread
B#	BSPP Thread

Thread Size •

Example	N1/2
	S#8

• **Optional Restrictor Orifice**
(Specify Diameter in Inches)
Example -R.060

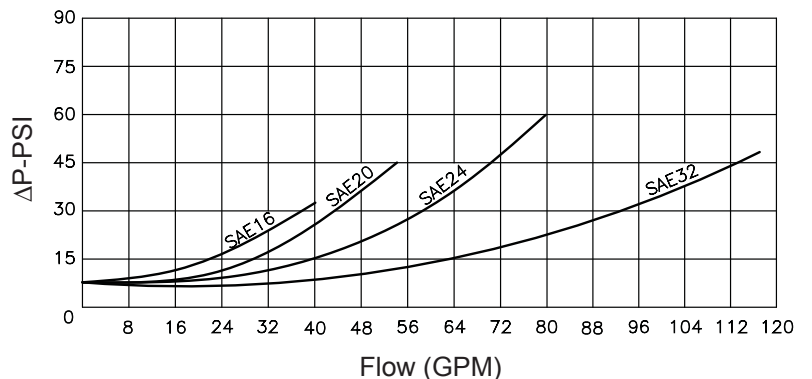
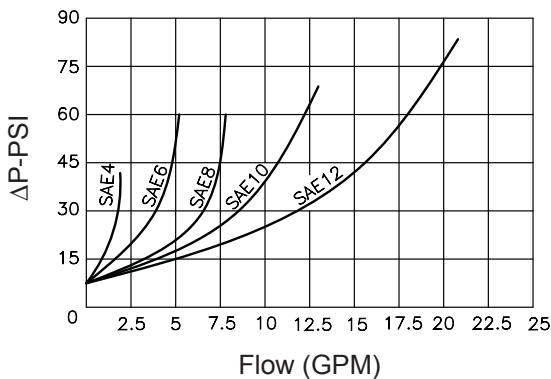
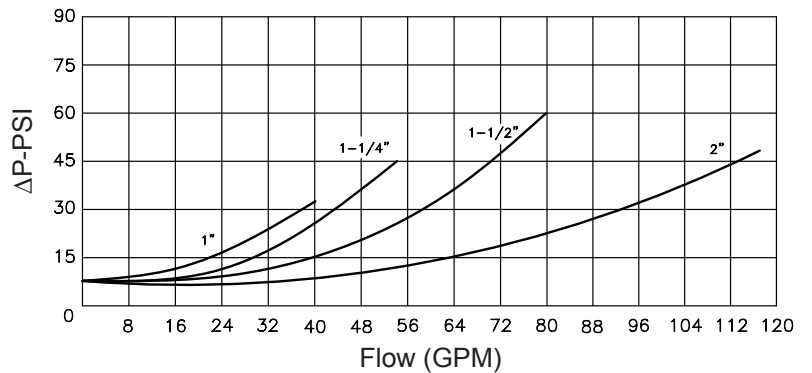
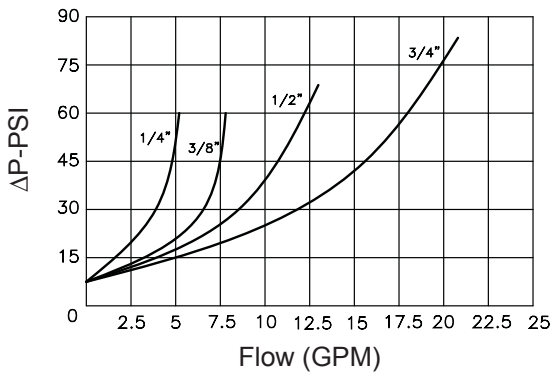
• **Cracking Pressure**

7	7 PSI
65	65 PSI

• **Material**

1	Carbon Steel
---	--------------

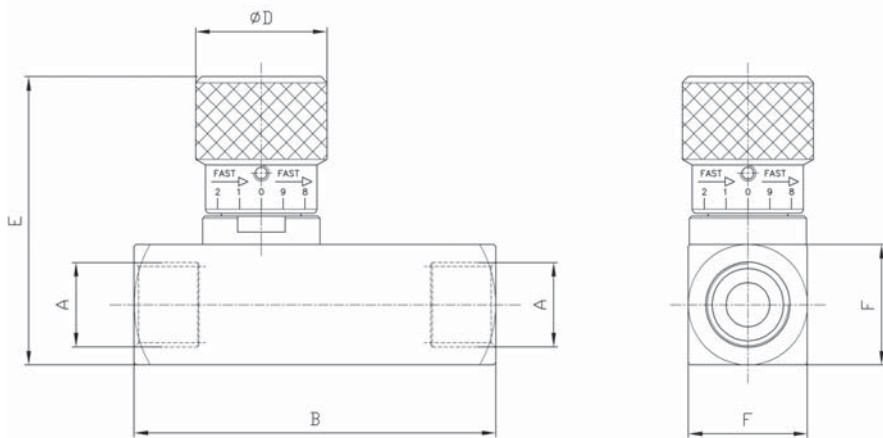
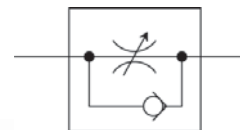
*See Page 10 for Brass



Flow Control Valves (Carbon Steel)



- NPT & SAE Connections
- Carbon Steel With Zinc Dichromate Plating
- Set Screw Allows Knob to be Locked into Position
- Graduated Knob & Spindle for Accurate Flow Control
- 7 PSI Standard Spring Setting
- Buna O-Ring / PTFE Stem Packing
- Temperature Range -4°F to +176°F



FLOW CONTROL VALVES						
A		B	D	E	F	MAX PSI
NPT	SAE					
1/4	#4	2.60	1.18	2.67	0.98	5700
3/8	#6	3.00	1.18	2.67	0.98	5700
1/2	#8	3.58	1.29	2.79	1.18	5700
3/4	#12	4.43	1.65	3.70	1.57	5700
1	#16	5.55	1.65	3.93	1.77	5700
1 1/4	#20	6.04	2.28	6.57	2.36	5075
1 1/2	#24	6.75	3.15	7.72	2.76	5075

FLOW, NEEDLE & CHECK VALVES

HYDRAULIC BALL VALVES

WELD COUPLINGS

FLANGES

Model Code Breakdown

F N 1/2 - 1

Valve Series •

Thread Type •

N	NPT Pipe Thread
S#	SAE Straight Thread
B#	BSPB Thread

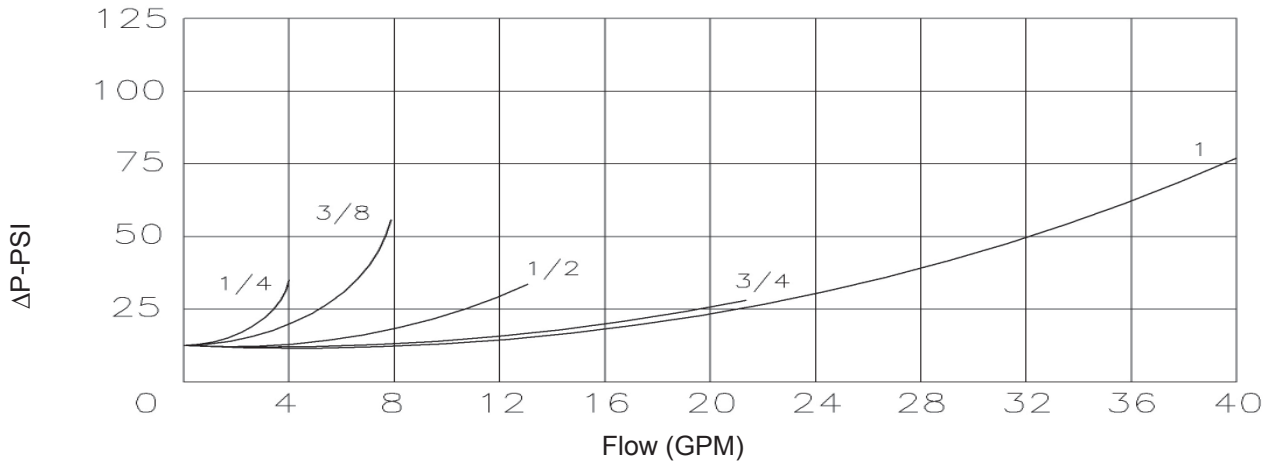
Material

1	Carbon Steel
*See Page 11 for Brass	

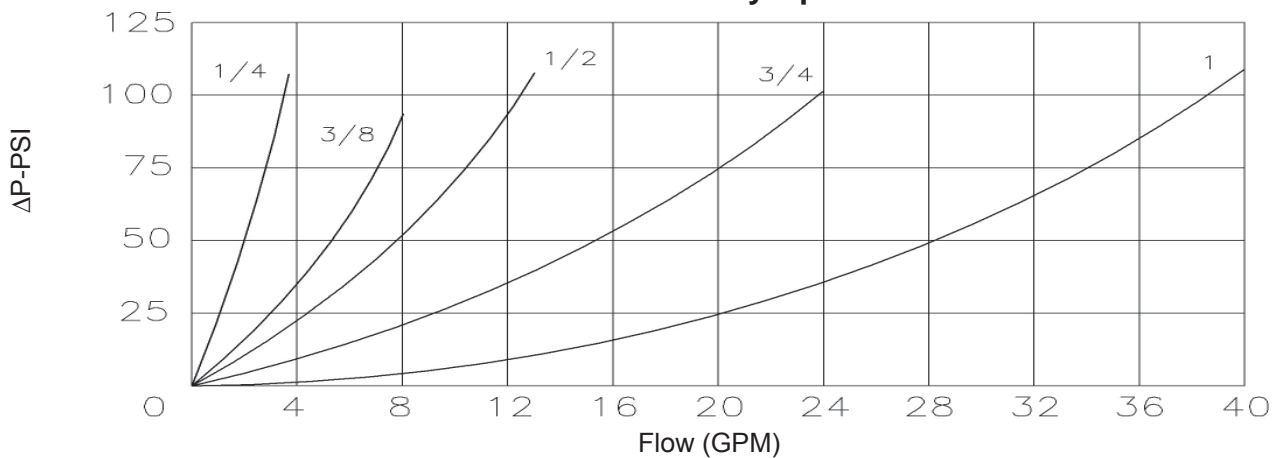
Thread Size

Example	N1/2
	S#8

Free Flow



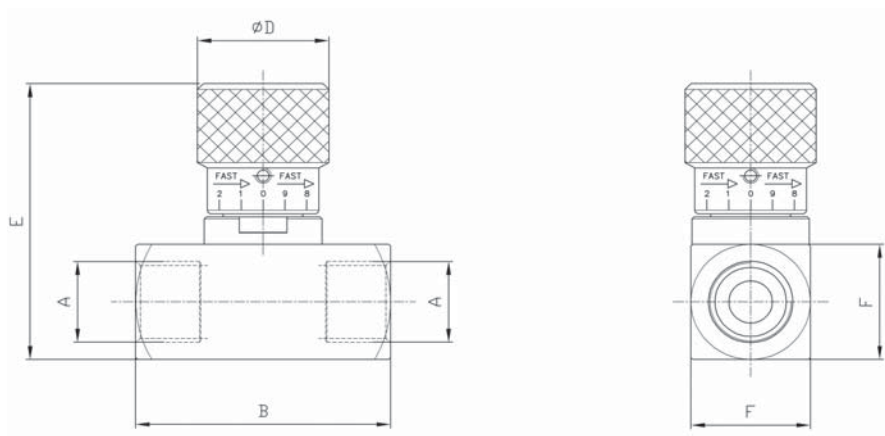
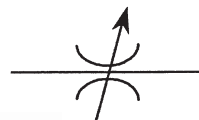
Metered Fully Open



Needle Valves (Carbon Steel)



- NPT & SAE Connections
- Carbon Steel With Zinc Dichromate Plating
- Set Screw Allows Knob to be Locked into Position
- Graduated Knob & Spindle for Accurate Flow Control
- Buna O-Ring / PTFE Stem Packing
- Temperature Range -4°F to +176°F



NEEDLE VALVES						
A		B	D	E	F	MAX PSI
NPT	SAE					
1/4	#4	2.12	1.18	2.67	0.98	5700
3/8	#6	2.12	1.18	2.67	0.98	5700
1/2	#8	2.51	1.29	2.85	1.18	5700
3/4	#12	3.19	1.65	3.70	1.57	5700
1	#16	4.00	1.65	3.93	1.77	5700
1 1/4	#20	4.45	2.28	6.57	2.36	5075
1 1/2	#24	4.80	3.15	7.72	2.76	5075

FLOW, NEEDLE & CHECK VALVES

HYDRAULIC BALL VALVES

WELD COUPLINGS

FLANGES

Model Code Breakdown

N N 1/2 - 1

Valve Series

Thread Type

N	NPT Pipe Thread
S#	SAE Straight Thread
B#	BSPP Thread

Material

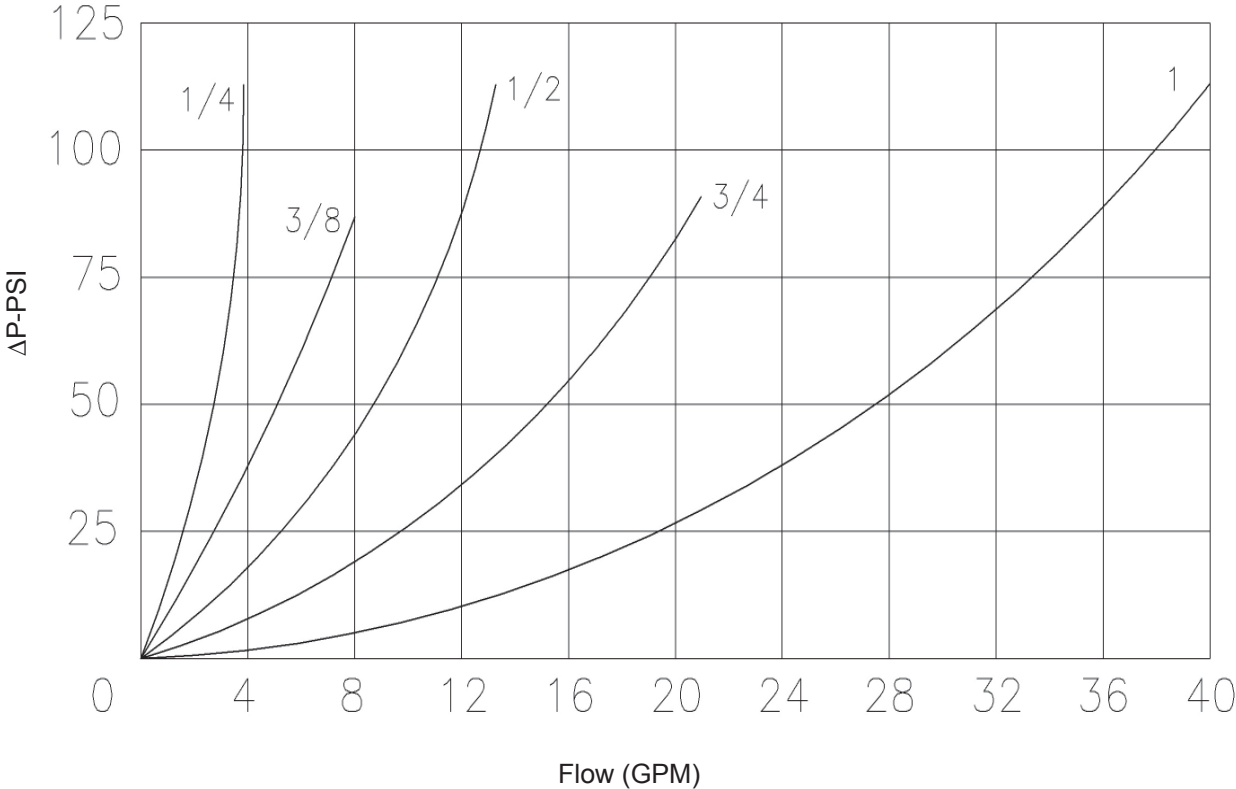
1	Carbon Steel
---	--------------

*See Page 12 for Brass

Thread Size

Example	N1/2
	S#8

Fully Open

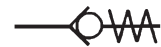


FLOW, NEEDLE & CHECK VALVES
 HYDRAULIC BALL VALVES
 WELD COUPLINGS
 FLANGES

Check Valves (Brass)



- Brass Construction
(See page 4 for Carbon Steel)
- NPTF Threads
- Standard 2 PSI Spring Cracking Pressure
- Metal to Metal Poppet Design
- Maximum working pressure of 2000 PSI



CHECK VALVES						
PART NUMBER	A NPTF	B	C	MAX PSI	Cv	WEIGHT (LBS)
CN1/4-3	1/4"	2.36	0.86	2000	0.52	0.37
CN3/8-3	3/8"	3.07	1.06	2000	0.85	0.71
CN1/2-3	1/2"	3.31	1.18	2000	2.59	0.86
CN3/4-3	3/4"	3.62	1.41	2000	3.74	1.28

FLOW, NEEDLE & CHECK VALVES

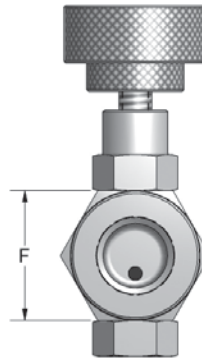
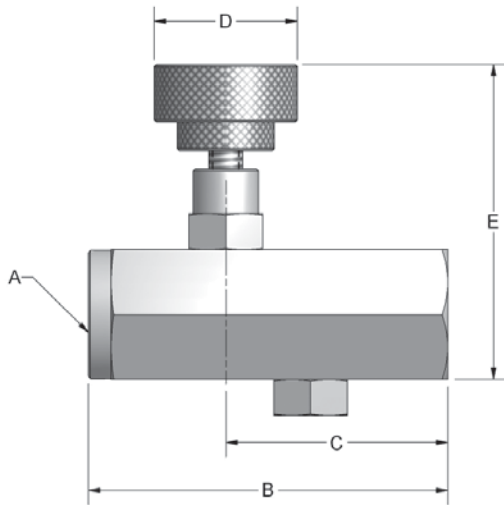
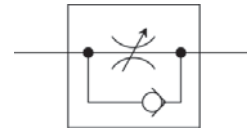
HYDRAULIC BALL VALVES

WELD COUPLINGS

FLANGES



- Brass Construction
(See page 6 for Carbon Steel)
- NPTF Threads
- Knurled Knob
- Locknut to Secure Settings
- Maximum working pressure of 2000 PSI



FLOW CONTROL VALVES										
PART NUMBER	A NPTF	B	C	D	E	F	MAX PSI	Cv Free Flow	Cv Controlled Flow	WEIGHT (LBS)
FN1/4-3	1/4"	2.28	1.40	0.99	0.90	2.42	2000	0.44	0.28	0.54
FN3/8-3	3/8"	2.43	1.47	0.99	1.02	2.55	2000	0.58	0.41	0.66
FN1/2-3	1/2"	2.76	1.71	0.99	1.18	2.93	2000	1.06	0.98	0.94
FN3/4-3	3/4"	3.55	2.07	1.41	1.18	3.23	2000	1.64	1.44	1.54

FLOW, NEEDLE & CHECK VALVES

HYDRAULIC BALL VALVES

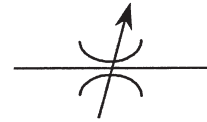
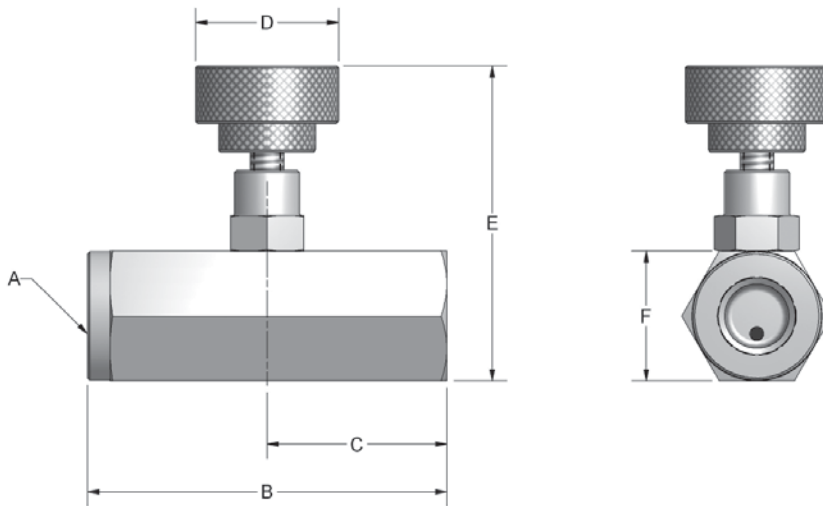
WELD COUPLINGS

FLANGES

Needle Valves (Brass)



- Brass Construction
(See page 8 for Carbon Steel)
- NPTF Threads
- Knurled Knob
- Locknut to Secure Settings
- Maximum working pressure of 2000 PSI



FLOW, NEEDLE & CHECK VALVES

HYDRAULIC BALL VALVES

WELD COUPLINGS

FLANGES

NEEDLE VALVES									
PART NUMBER	A NPTF	B	C	D	E	F	MAX PSI	Cv	WEIGHT (LBS)
NN1/4-3	1/4"	1.15	0.96	0.99	0.90	2.42	2000	0.41	0.44
NN3/8-3	3/8"	1.97	1.00	0.99	1.02	2.55	2000	0.63	0.53
NN1/2-3	1/2"	2.17	1.10	0.99	1.18	2.93	2000	0.96	0.72
NN3/4-3	3/4"	2.64	1.32	1.19	1.41	3.23	2000	1.54	1.18



Lined area for notes

FLOW, NEEDLE & CHECK VALVES

HYDRAULIC BALL VALVES

WELD COUPLINGS

FLANGES



A series of horizontal lines for taking notes, spanning the width of the page below the header.

FLOW, NEEDLE & CHECK VALVES

HYDRAULIC BALL VALVES

WELD COUPLINGS

FLANGES



HYDRAULIC BALL VALVES



Table of Contents:

AE2 / Two-Way Block Body Threaded18
 AB2 / Two-Way Round Body Threaded.....20
 AV2 / Two-Way Excavator Style22
 AV3 / Three-Way Excavator Style24
 AE2OF / Two-Way ORFS Connection26
 AE3 / Three-Way Block Body Threaded28
 AE3K / “True” Three-Way Block Body Threaded30
 AB3 / Three-Way Round Body Threaded32
 AES / Two-Way Block Body Flange Head34
 ABS / Two-Way Round Body Flange Head36
 AEF / Two-Way Block Body Flat Faced38
 ABF / Two-Way Round Body Flat Faced40
 AES/F & ABS/F / Two-Way Flange Head X Flat Face42
 APK / Two-Way Manifold Mount44
 Locking Kits.....46
 Handles47

LV2B / 1000 WOG Two-Way Stainless Steel.....48
 MV2B / 2000 WOG Two-Way Stainless Steel 49

FLOW, NEEDLE & CHECK VALVES

HYDRAULIC BALL VALVES

WELD COUPLINGS

FLANGES

BALL VALVE PRESSURE SPECIFICATIONS

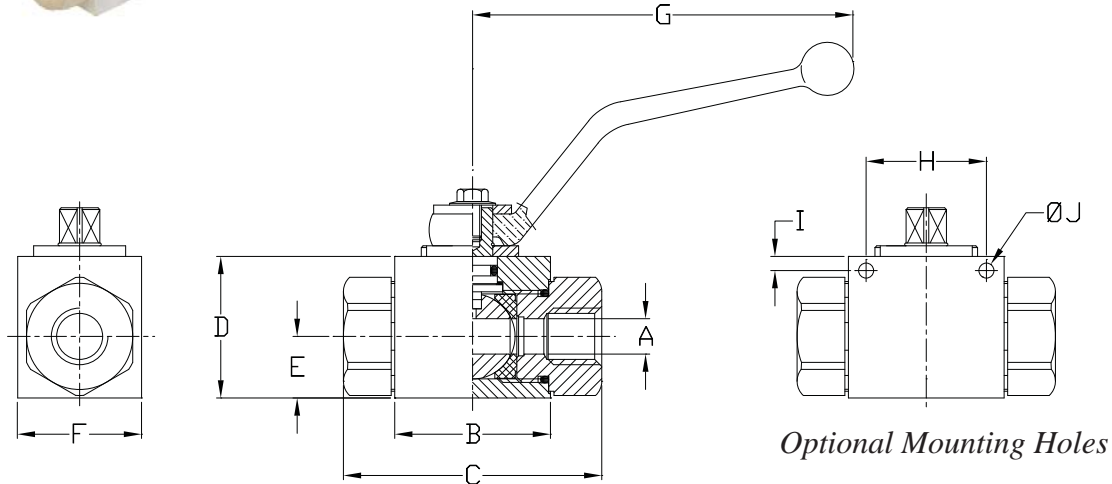
Anchor Fluid Power ball valves are tested in accordance with API 598, Eighth Edition, May 2004 standards. End connections are manufactured in accordance with one or more of the following specifications.

SAE J1926/1	SAE J518-1	ISO 6162-1	SAE J514
SAE J1453/B	SAE J518-2	ISO 6162-2	ANSI B.1.20.1

AE2 Series / Two-Way Block Body Threaded



- Carbon steel construction with Silver Trivalent plating
- 316 stainless steel available from stock
- Unrestricted bore up to 1" size
- POM seats & Buna O-rings standard on carbon steel valves
- Optional seal materials available for extreme temperature applications & fluid compatibility (Consult Factory)



Optional Mounting Holes

Standard handles supplied are:
Refer to page 47 for details.

1/8" - 1/2"
3/4" - 1 1/2"

C1010ZB
C1200ZB

FLOW, NEEDLE & CHECK VALVES

HYDRAULIC BALL VALVES

WELD COUPLINGS

FLANGES

AE2 SERIES FULL BORE

SERIES		PSI MAX	A BORE	B	C	D		E	F		G	H	I	J	WEIGHT
NPT	SAE					CARBON	STAINLESS		CARBON	STAINLESS					
AE2 N1/8	N/A	7250	.16	1.65	2.80	1.38	C/F	.55	1.18	C/F	4.33	C/F	C/F	C/F	1.1 LBS
AE2 N1/4	AE2 S#4	7250	.24	1.65	2.80	1.38	1.38	.55	1.18	1.38	4.33	1.34	.16	.17	1.1 LBS
AE2 N3/8	AE2 S#6	7250	.39	1.73	2.87	1.57	1.57	.67	1.38	1.57	4.33	1.34	.16	.17	1.4 LBS
AE2 N1/2	AE2 S#8	7250	.51	1.89	3.27	1.69	1.77	.71	1.46	1.77	4.33	1.42	.20	.21	1.7 LBS
AE2 N3/4	AE2 S#12	5800	.79	2.44	3.74	2.17	2.17	.91	1.77	2.17	7.09	1.97	.24	.25	3.1 LBS
AE2 N1	AE2 S#16	5075	.98	2.60	4.45	2.56	2.56	1.14	2.17	2.56	7.09	1.97	.24	.25	4.7 LBS

AE2 SERIES REDUCED BORE

SERIES		PSI MAX	A BORE	B	C	D		E	F		G	H	I	J	WEIGHT
NPT	SAE					CARBON	STAINLESS		CARBON	STAINLESS					
AE2 N1-1/4R	AE2 S#20R	5075	.98	2.60	4.76	2.56	2.56	1.14	2.17	2.56	7.09	C/F	C/F	C/F	5.0 LBS
AE2 N1-1/2R	AE2 S#24R	5075	.98	2.60	4.88	2.56	2.56	1.14	2.17	2.56	7.09	C/F	C/F	C/F	5.2 LBS

NPT threads in accordance with ANSI B.1.20.1 specifications.
SAE threads in accordance with SAE J1926/1 specifications.



AE2 Series / Two-Way Block Body Threaded

Model Code Breakdown

AE2 N1/2 _ - 1 1 D B _

Valve Series •

Connection Type/Size •

N	NPT Pipe Thread
S	SAE Straight Thread
B	BSPP Thread

Bore Restriction •

blank	Unrestricted Bore
R	Restricted Bore

Body & Adapter Material •

1	Carbon Steel
2	316 Stainless Steel

Ball & Stem Material •

1	Carbon Steel
2	316 Stainless Steel

• **Locking Kit or Optional Handle Code**
(See pages 46 & 47)

• Adapter & Stem Seals

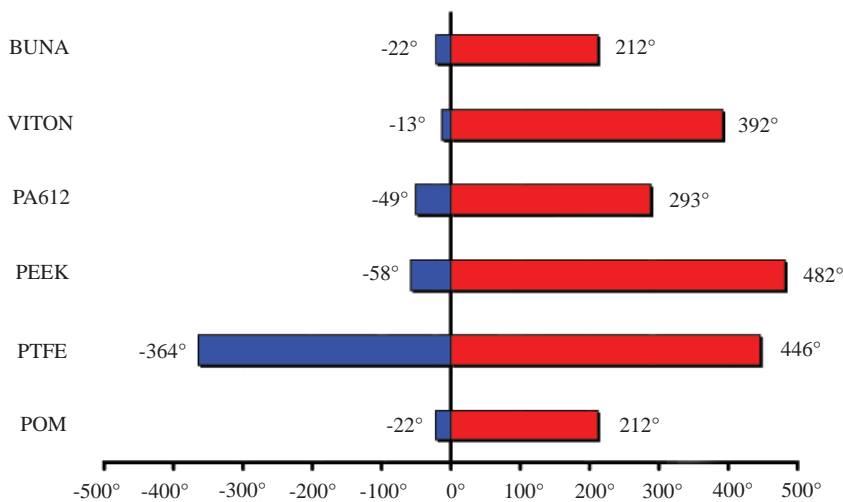
B	Buna- Standard
V	Viton (Std on S/S)

• Ball & Stem Seats

D	POM- Standard
P	PEEK
N	PA612
X	PTFE w/metallic insert

- Please consult your system's seal manufacturer for recommendation of seal selection, as Anchor Fluid Power does not accept responsibility for seal selection.

MAXIMUM & MINIMUM WORKING TEMPERATURES FOR SEAL MATERIALS



All temperatures are in degrees Fahrenheit.

AB2 Series / Two Way Round Body Threaded



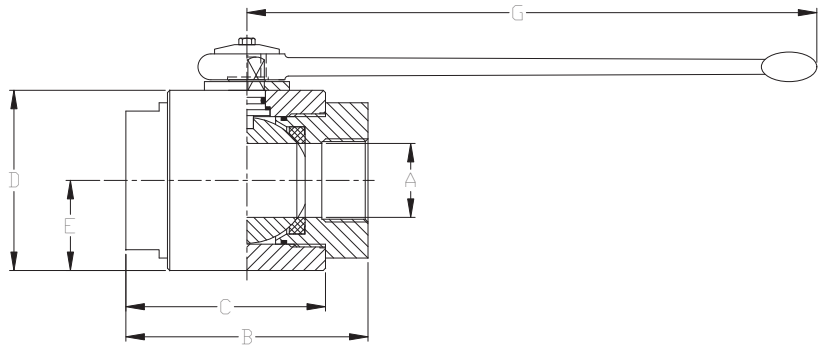
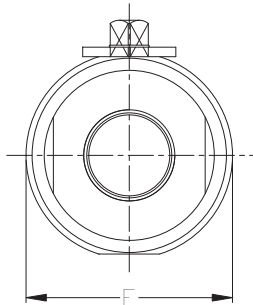
- Carbon steel construction with Silver Trivalent plating
- 316 stainless steel available from stock
- Unrestricted bore available through 2" size
- POM seats & Buna O-rings standard on carbon steel valves
- Optional seal materials available for extreme temperature applications & fluid compatibility (Consult Factory)

FLOW, NEEDLE & CHECK VALVES

HYDRAULIC BALL VALVES

WELD COUPLINGS

FLANGES



Standard handle supplied is C81302B. Refer to page 47 for details.

AB2 SERIES FULL BORE										
NPT	SAE	PSI MAX	A BORE	B	C	D	E	F	G	WEIGHT
AB2 N1-1/4	AB2 S#20	5075	1.26	4.53	3.74	3.66	1.83	3.88	11.69	8.3 LBS
AB2 N1-1/2	AB2 S#24	5075	1.57	5.16	4.25	4.21	2.11	4.45	11.69	12.5 LBS
AB2 N2	AB2 S#32	5075	1.97	5.51	4.53	4.49	2.24	4.84	11.69	14.6 LBS

AB2 SERIES REDUCED BORE										
NPT	SAE	PSI MAX	A BORE	B	C	D	E	F	G	WEIGHT
AB2N2R	N/A	5075	1.57	5.16	4.25	3.86	1.89	4.02	11.69	13.5 LBS

NPT threads in accordance with ANSI B.1.20.1 specifications.

SAE threads in accordance with SAE J1926/1 specifications.



AB2 Series / Two Way Round Body Threaded

Model Code Breakdown

AB2 N1/2 _ - 1 1 D B _

Valve Series •

Connection Type/Size •

N	NPT Pipe Thread
S	SAE Straight Thread
B	BSPP Thread

Bore Restriction •

blank	Unrestricted Bore
R	Restricted Bore

Body & Adapter Material •

1	Carbon Steel
2	316 Stainless Steel

Ball & Stem Material •

1	Carbon Steel
2	316 Stainless Steel

• **Locking Kit or Optional Handle Code**
(See pages 46 & 47)

• **Adapter & Stem Seals**

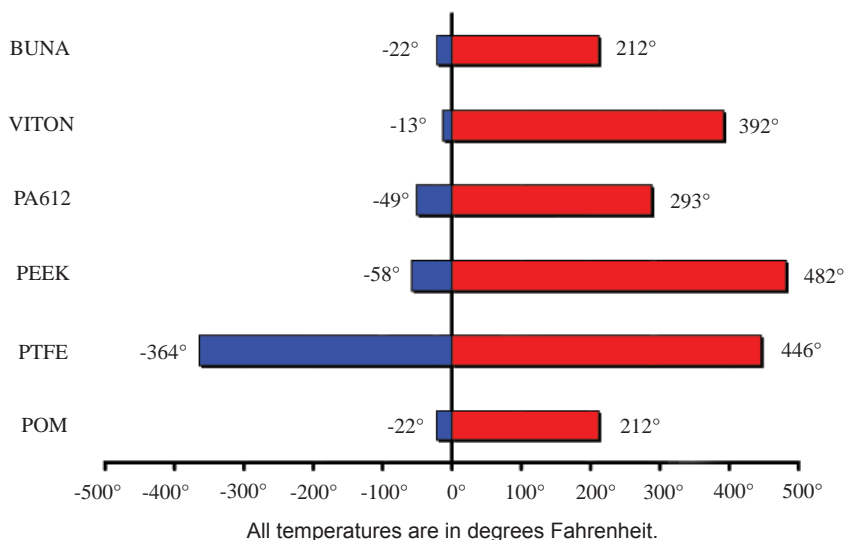
B	Buna- Standard
V	Viton (Std on S/S)

• **Ball & Stem Seats**

D	POM- Standard
P	PEEK
N	PA612
X	PTFE w/metallic insert

- Please consult your system's seal manufacturer for recommendation of seal selection, as Anchor Fluid Power does not accept responsibility for seal selection.

MAXIMUM & MINIMUM WORKING TEMPERATURES FOR SEAL MATERIALS



FLOW, NEEDLE & CHECK VALVES

HYDRAULIC BALL VALVES

WELD COUPLINGS

FLANGES

AV2 Series/Two-Way Excavator Style



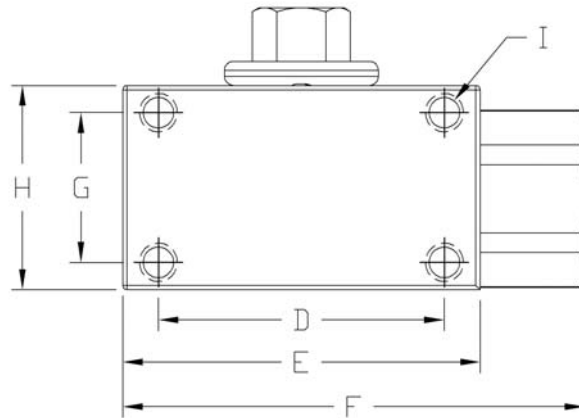
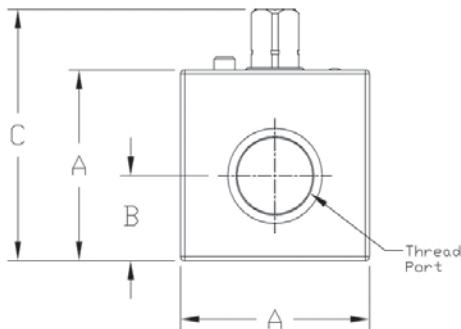
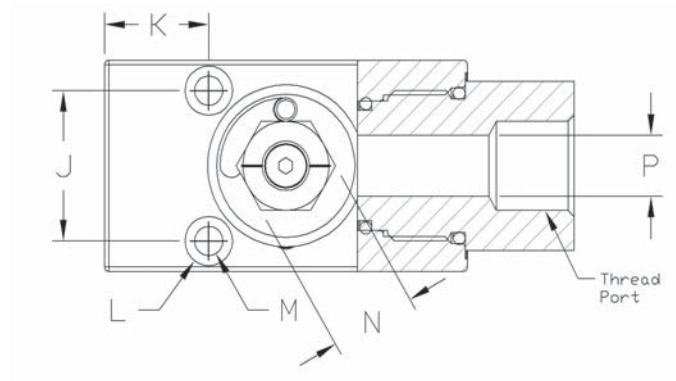
- Hex stem eliminates need for attached handle
- Detented stop washer prevents accidental actuation
- Shock resistant PA612 seats good to 293°F (Viton O-rings rated to 392°F)
- Mounting holes standard
- Max pressure of 7250 PSI on all sizes

FLOW, NEEDLE & CHECK VALVES

HYDRAULIC BALL VALVES

WELD COUPLINGS

FLANGES



AV2 SERIES																	
NPT	SAE	A	B	C	D	E	F	G	H	I	J	K	L	M	N	P	WEIGHT
AV2N1/2	AV2S#8	1.77	0.79	2.74	2.52	3.15	4.07	1.30	2.46	M8 X 1.25	1.26	0.91	0.41	0.25	0.75	0.51	2.9 LBS
AV2N3/4	AV2S#12	2.17	0.92	2.89	3.15	3.98	5.10	1.69	3.05	M8 X 1.25	1.57	1.00	0.53	0.32	0.94	0.79	5.3 LBS
AV2N1	AV2S#16	2.56	1.16	3.29	3.54	4.13	5.26	2.09	3.44	M8 X 1.25	1.89	1.08	0.53	0.32	0.94	0.98	7.6 LBS
AV2N1-1/4R	AV2S#20R	2.56	1.16	3.29	3.54	4.13	5.26	2.09	3.44	M8 X 1.25	1.89	1.08	0.53	0.32	0.94	0.98	7.2 LBS
AV2N1-1/4	AV2S#20	3.15	1.32	3.88	3.39	4.13	5.26	2.52	4.07	M8 X 1.25	2.36	0.96	0.53	0.32	1.26	1.26	11.0 LBS

Model Code Breakdown

AV2 N1/2 _ - 1 1 N V

Valve Series

Connection Type/Size

N	NPT Pipe Thread
S	SAE Straight Thread
B	BSPP Thread

Bore Restriction

blank	Unrestricted Bore
R	Restricted Bore

Body & Adapter Material

1	Carbon Steel
---	--------------

Adapter & Stem Seals

V	Viton (Standard)
---	------------------

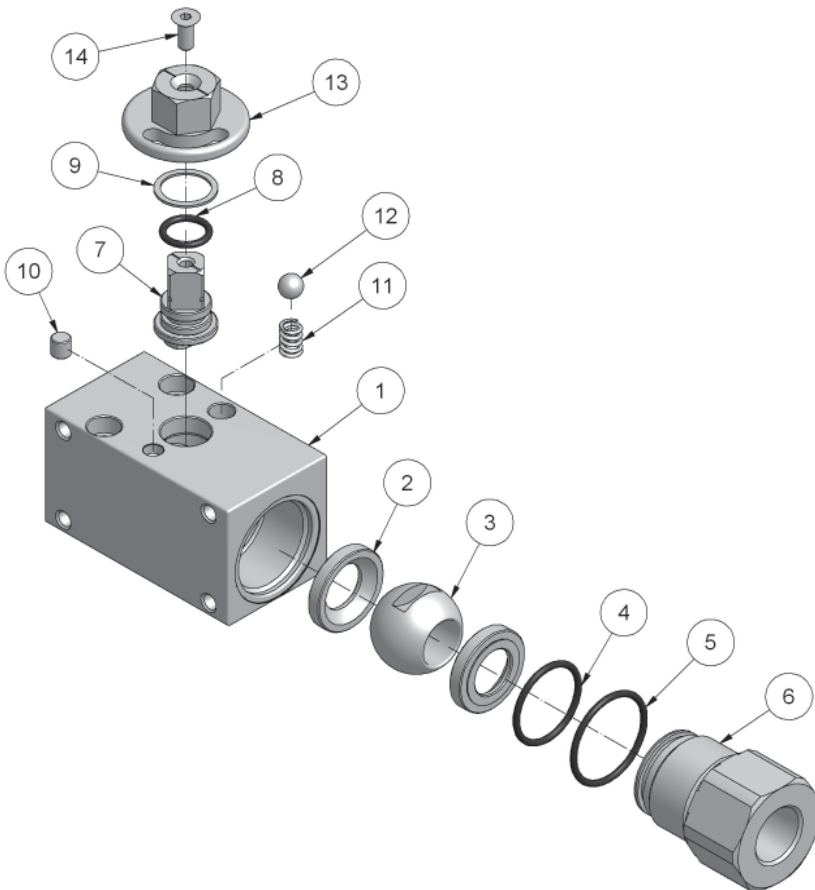
Ball & Stem Seats

N	PA612 (Standard)
---	------------------

Ball & Stem Material

1	Carbon Steel
---	--------------

- Please consult your system's seal manufacturer for recommendation of seal selection, as Anchor Fluid Power does not accept responsibility for seal selection.



Parts List		
ITEM	QTY	PART NUMBER
1	1	AV2 Valve Body
2	2	Ball Seats
3	1	Ball
4	1	Adapter O-Ring (Small)
5	1	Adapter O-Ring (Large)
6	1	Adapter
7	1	Stem
8	1	Stem O-Ring
9	1	Stem Seat
10	1	Stop Pin
11	1	Spring
12	1	Detent Ball
13	1	Alignment Stop
14	1	Screw

AV3 Series/Three-Way Excavator Style



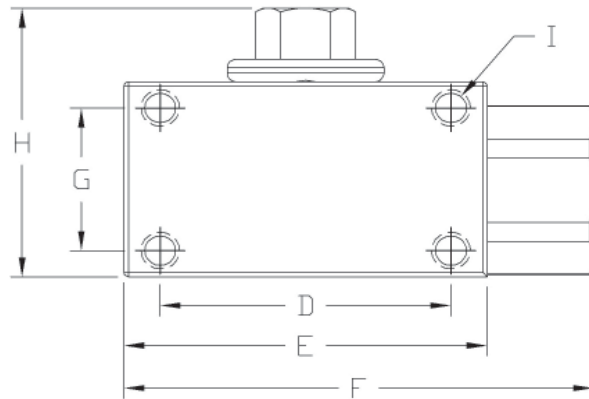
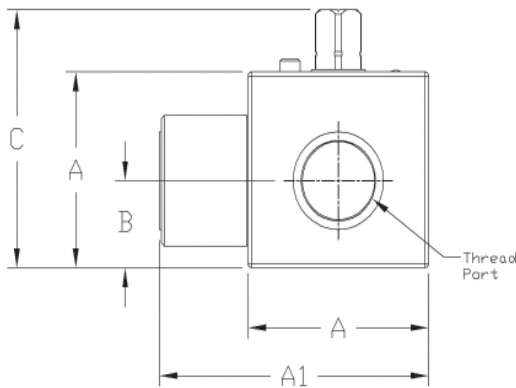
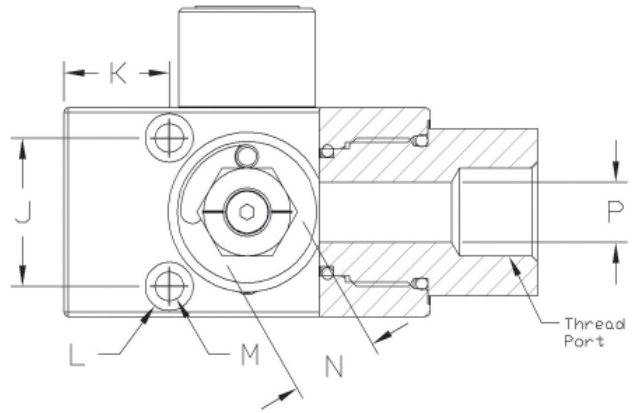
- Hex stem eliminates need for attached handle
- Detented stop washer prevents accidental actuation
- Shock resistant PA612 seats good to 293°F
(Viton O-rings rated to 392°F)
- Mounting holes standard
- Max pressure of 5075 PSI on all sizes

FLOW, NEEDLE & CHECK VALVES

HYDRAULIC BALL VALVES

WELD COUPLINGS

FLANGES



AV3 SERIES																		
NPT	SAE	A	A1	B	C	D	E	F	G	H	I	J	K	L	M	N	P	WEIGHT
AV3LN1/2	AV3LS#8	1.77	2.62	0.79	2.74	2.52	3.15	4.07	1.30	2.46	M8 X 1.25	1.26	0.91	0.41	0.25	0.75	0.51	3.0 LBS
AV3LN3/4	AV3LS#12	2.17	3.35	0.92	2.89	3.15	3.98	5.10	1.69	3.05	M8 X 1.25	1.57	1.00	0.53	0.32	0.94	0.79	5.5 LBS
AV3LN1	AV3LS#16	2.56	3.84	1.16	3.29	3.54	4.13	5.26	2.09	3.44	M8 X 1.25	1.89	1.08	0.53	0.32	0.94	0.98	7.9 LBS
AV3LN1-1/4R	AV3LS#20R	2.56	3.90	1.16	3.29	3.54	4.13	5.26	2.09	3.44	M8 X 1.25	1.89	1.08	0.53	0.32	0.94	0.98	7.7 LBS
AV3LN1-1/4	AV3LS#20	3.15	4.65	1.32	3.88	3.39	4.13	5.26	2.52	4.07	M8 X 1.25	2.36	0.96	0.53	0.32	1.26	1.26	11.7 LBS

Model Code Breakdown

AV3L N1/2 _ - 1 1 N V

Valve Series •

Connection Type/Size •

N	NPT Pipe Thread
S	SAE Straight Thread
B	BSPP Thread

Bore Restriction •

blank	Unrestricted Bore
R	Restricted Bore

Body & Adapter Material •

1	Carbon Steel
---	--------------

• Adapter & Stem Seals

V	Viton (Standard)
---	------------------

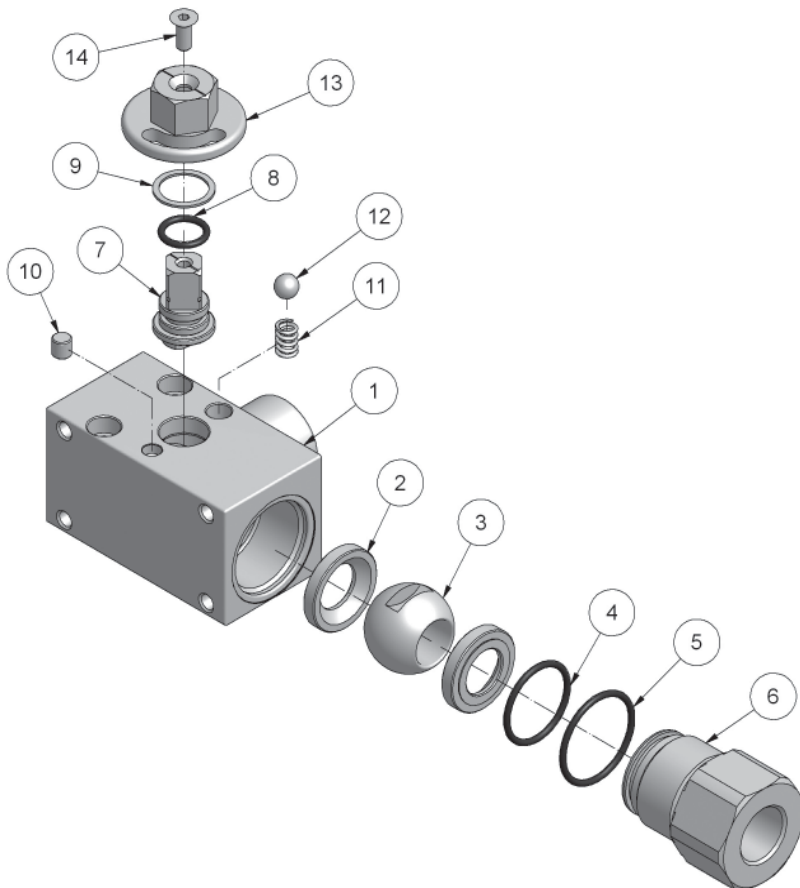
• Ball & Stem Seats

N	PA612 (Standard)
---	------------------

• Ball & Stem Material

1	Carbon Steel
---	--------------

- Please consult your system's seal manufacturer for recommendation of seal selection, as Anchor Fluid Power does not accept responsibility for seal selection.



Parts List		
ITEM	QTY	PART NUMBER
1	1	AV3 Valve Body
2	2	Ball Seats
3	1	Ball
4	1	Adapter O-Ring (Small)
5	1	Adapter O-Ring (Large)
6	1	Adapter
7	1	Stem
8	1	Stem O-Ring
9	1	Stem Seat
10	1	Stop Pin
11	1	Spring
12	1	Detent Ball
13	1	Alignment Stop
14	1	Screw

FLOW, NEEDLE & CHECK VALVES

HYDRAULIC BALL VALVES

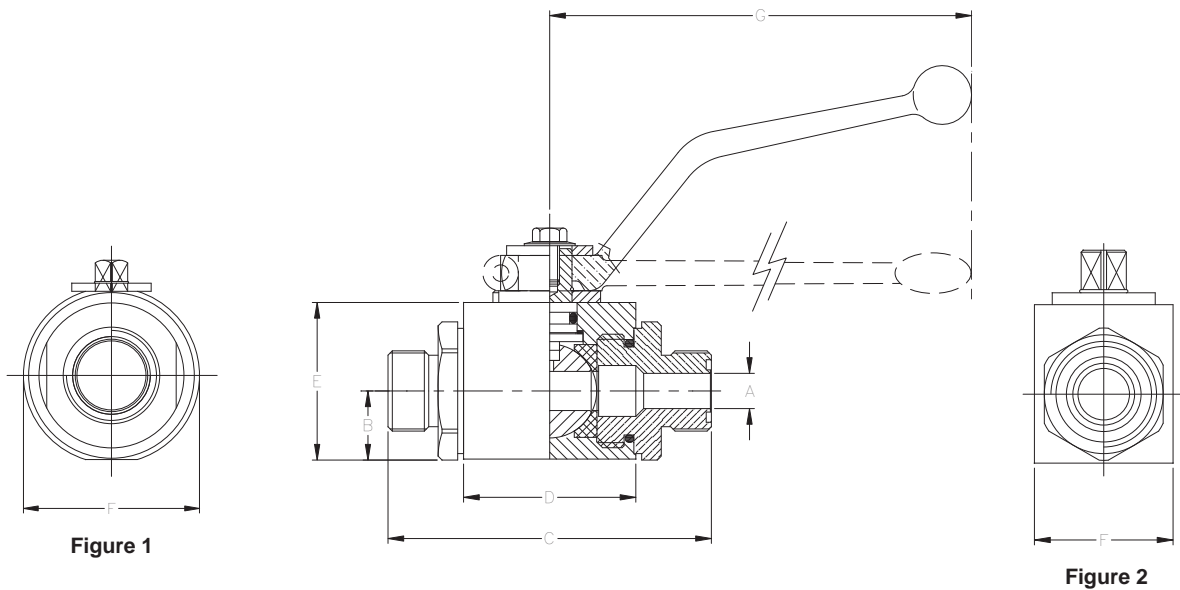
WELD COUPLINGS

FLANGES

AE20F/AB20F Series / Two-Way ORFS Connection



- Male ORFS SAE J1453 connection eliminates leak points and costly fittings while reducing overall valve length
- Carbon steel construction with Zinc Dichromate plating
- POM seats & Buna O-rings standard on carbon steel valves
- Optional seal materials available for extreme temperature applications & fluid compatibility (Consult Factory)



Standard handles supplied are:

1/2"
3/4" - 1"

C1010ZB
C1200ZB

Refer to page 47 for details.

1-1/4" - 1-1/2"

C81302B

AE20F/AB20F SERIES									
SERIES	PSI MAX	A BORE	B	C	D	E	F	G	BODY TYPE
AE20F#8	7250	.51	.71	3.37	1.89	1.69	1.46	4.31	FIG 2
AE20F#12	5800	.79	.91	4.89	2.44	2.17	1.77	7.00	FIG 2
AE20F#16	5075	.98	1.14	5.13	2.60	2.56	2.17	7.00	FIG 2
AB20F#20	5075	1.02	1.62	4.92	2.95	3.25	3.46	11.69	FIG 1
AB20F#24	5075	1.26	1.67	6.15	3.35	3.84	4.02	11.69	FIG 1

O-Ring Face Seal threads in accordance with SAE J1453 Style "B" specifications.



AE2OF/AB2OF Series / Two-Way ORFS Connection

Model Code Breakdown

AE2OF #12 - 1 1 D B _

Valve Series

AE2OF	Block Body ORFS
AB2OF	Round Body ORFS

Connection Size

1	Carbon Steel
---	--------------

Ball & Stem Material

1	Carbon Steel
---	--------------

• **Locking Kit or Optional Handle Code**
(See pages 46 & 47)

• **Adapter & Stem Seals**

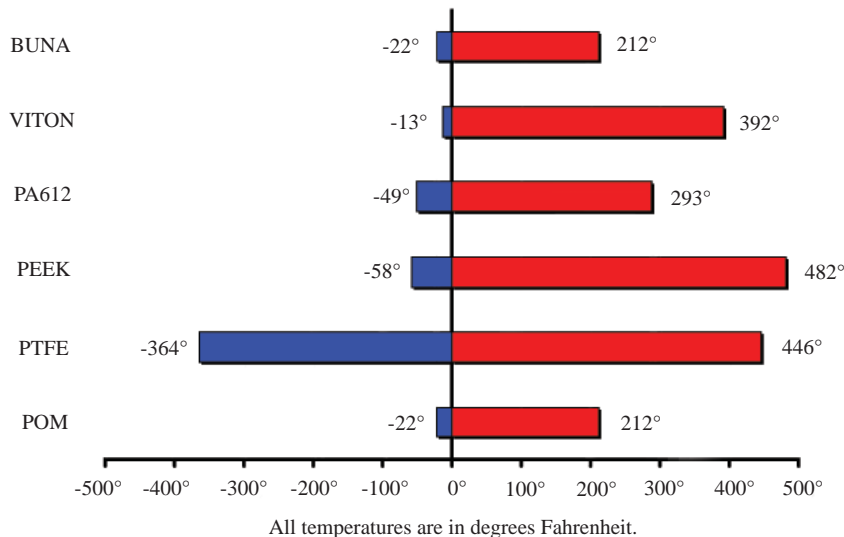
B	Buna- Standard
V	Viton

• **Ball & Stem Seats**

D	POM- Standard
P	PEEK
N	PA612
X	PTFE w/metallic insert

- Please consult your system's seal manufacturer for recommendation of seal selection, as Anchor Fluid Power does not accept responsibility for seal selection.

MAXIMUM & MINIMUM WORKING TEMPERATURES FOR SEAL MATERIALS



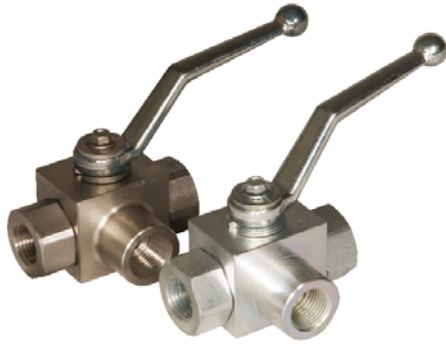
FLOW, NEEDLE & CHECK VALVES

HYDRAULIC BALL VALVES

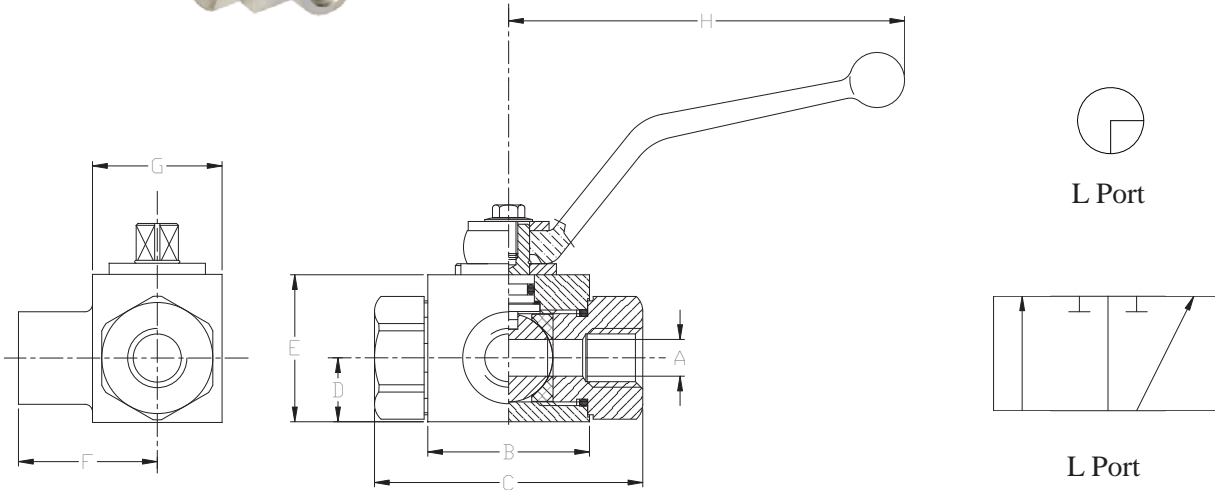
WELD COUPLINGS

FLANGES

AE3 Series / Three-Way Block Body Threaded



- Carbon steel construction with Silver Trivalent plating
- 316 stainless steel available from stock
- POM seats & Buna O-rings standard on carbon steel valves
- Optional seal materials available for extreme temperature applications & fluid compatibility (Consult Factory)



Standard handles supplied are:
Refer to page 47 for details.

1/8" - 1/2"
3/4" - 1 1/2"

C1010ZB
C1200ZB

AE3 SERIES FULL BORE											
NPT	SAE	PSI MAX	A BORE	B	C	D	E	F	G	H	WEIGHT
AE3 L N1/8	N/A	5800	.16	1.65	2.80	.55	1.38	1.32	1.18	4.31	1.1 LBS
AE3 L N1/4	AE3 L S#4	5800	.24	1.65	2.80	.55	1.38	1.32	1.18	4.31	1.1 LBS
AE3 L N3/8	AE3 L S#6	5800	.39	1.73	2.87	.67	1.57	1.46	1.38	4.31	1.5 LBS
AE3 L N1/2	AE3 L S#8	5075	.51	1.89	3.27	.71	1.69	1.57	1.46	4.31	1.8 LBS
AE3 L N3/4	AE3 L S#12	5075	.79	2.44	3.74	.91	2.17	2.05	1.77	7.00	3.3 LBS
AE3 L N1	AE3 L S#16	5075	.98	2.60	4.45	1.14	2.56	2.36	2.17	7.00	5.2 LBS

AE3 SERIES REDUCED BORE											
NPT	SAE	PSI MAX	A BORE	B	C	D	E	F	G	H	WEIGHT
AE3 L N1-1/4R	AE3 L S#20R	5075	.98	2.60	4.76	1.14	2.56	2.42	2.17	7.00	5.5 LBS
AE3 L N1-1/2R	AE3 L S#24R	5075	.98	2.60	4.88	1.14	2.56	2.42	2.17	7.00	6.0 LBS

Only pressurize center port. Side ports should not be pressurized or be exposed to backpressure that is greater than the inlet pressure. Failure to follow these guidelines will result in internal leakage through the valve. For applications requiring pressure applied to side ports, please refer to AE3K Series valves on page 30.

*NPT threads in accordance with ANSI B.1.20.1 specifications.
SAE threads in accordance with SAE J1926/1 specifications.*

FLOW, NEEDLE & CHECK VALVES

HYDRAULIC BALL VALVES

WELD COUPLINGS

FLANGES



AE3 Series / Three-Way Block Body Threaded

Model Code Breakdown

AE3L N1/2 _ - 1 1 D B _

Valve Series •

Port Type •

L	"Diverter" L-Port
---	-------------------

Connection Type/Size •

N	NPT Pipe Thread
S	SAE Straight Thread

Bore Restriction •

blank	Unrestricted Bore
R	Restricted Bore

Body & Adapter Material •

1	Carbon Steel
2	316 Stainless Steel

Ball & Stem Material •

1	Carbon Steel
2	316 Stainless Steel

Locking Kit or Optional Handle Code (See pages 46 & 47)

Adapter & Stem Seals

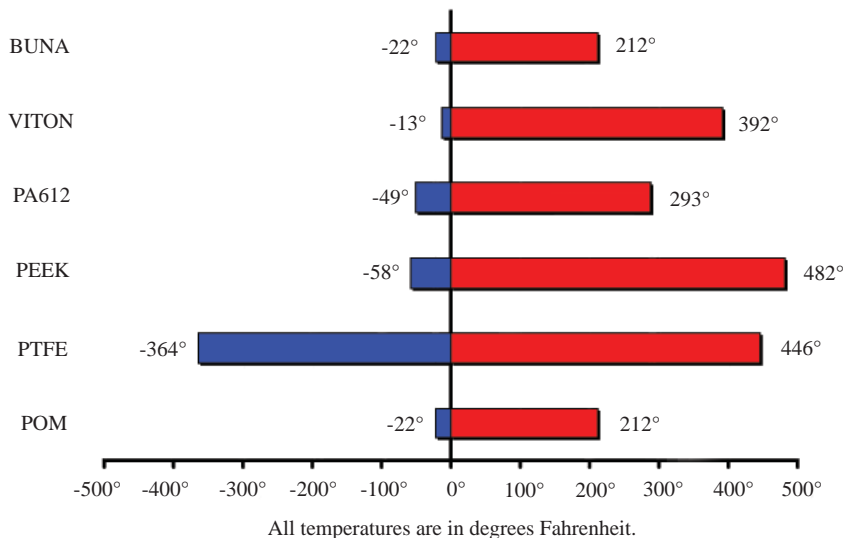
B	Buna- Standard
V	Viton (Std on S/S)

Ball & Stem Seats

D	POM- Standard
P	PEEK
N	PA612
X	PTFE w/metallic insert

- Please consult your system's seal manufacturer for recommendation of seal selection, as Anchor Fluid Power does not accept responsibility for seal selection.

MAXIMUM & MINIMUM WORKING TEMPERATURES FOR SEAL MATERIALS



FLOW, NEEDLE & CHECK VALVES

HYDRAULIC BALL VALVES

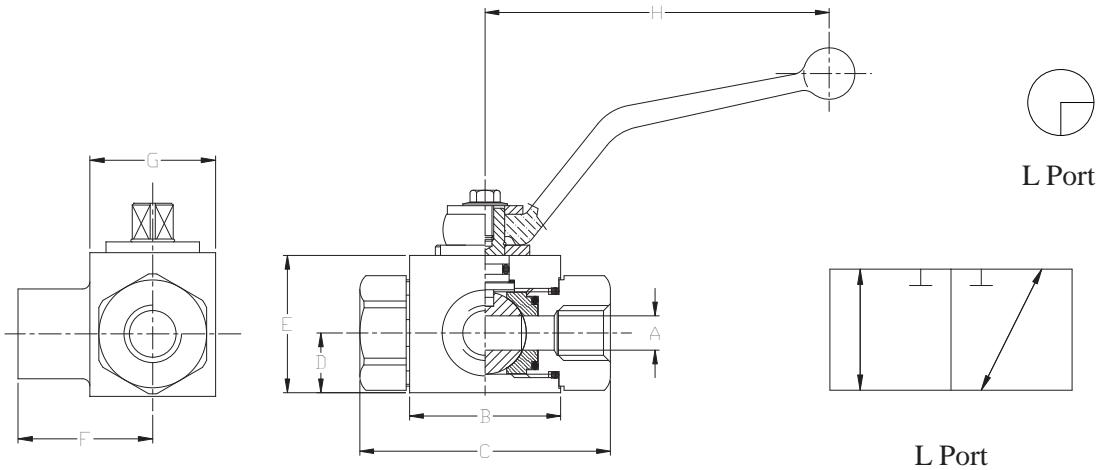
WELD COUPLINGS

FLANGES

AE3K Series / Three-Way Block Body Threaded



- Any port may be pressurized on this series valve ("True" 3-way valve)
- Carbon steel construction with Silver Trivalent plating
- POM seats & Buna O-rings standard on carbon steel valves
- Optional seal materials available for extreme temperature applications & fluid compatibility (Consult Factory)



Standard handles supplied are:
Refer to page 47 for details.

1/8" - 1/2"
3/4" - 1"

C1010ZB
C1200ZB

AE3K SERIES FULL BORE											
NPT	SAE	PSI MAX	A BORE	B	C	D	E	F	G	H	WEIGHT
AE3K L N1/4	AE3K L S#4	5800	.24	1.65	2.80	.55	1.38	1.32	1.18	4.31	1.1 LBS
AE3K L N3/8	AE3K L S#6	5800	.39	1.73	2.87	.67	1.57	1.46	1.38	4.31	1.5 LBS
AE3K L N1/2	AE3K L S#8	5075	.51	1.89	3.27	.71	1.69	1.57	1.46	4.31	1.8 LBS
AE3K L N3/4	AE3K L S#12	5075	.79	2.44	3.74	.91	2.17	2.05	1.77	7.00	3.3 LBS
AE3K L N1	AE3K L S#16	5075	.98	2.60	4.45	1.14	2.56	2.36	2.17	7.00	5.2 LBS

NPT threads in accordance with ANSI B.1.20.1 specifications.
SAE threads in accordance with SAE J1926/1 specifications.

FLOW, NEEDLE & CHECK VALVES

HYDRAULIC BALL VALVES

WELD COUPLINGS

FLANGES



AE3K Series / Three-Way Block Body Threaded

Model Code Breakdown

AE3KL N1/2 _ - 1 1 D B _

Valve Series •

Port Type •

L	"Diverter" L-Port
---	-------------------

Connection Type/Size •

N	NPT Pipe Thread
S	SAE Straight Thread

Bore Restriction •

blank	Unrestricted Bore
R	Restricted Bore

Body & Adapter Material •

1	Carbon Steel
---	--------------

Ball & Stem Material •

1	Carbon Steel
---	--------------

• Locking Kit or Optional Handle Code (See pages 46 & 47)

• Adapter & Stem Seals

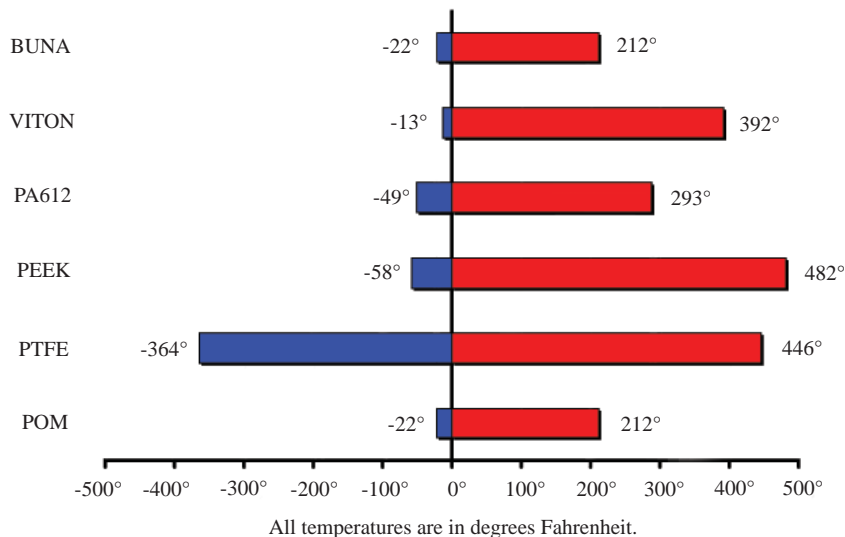
B	Buna- Standard
---	----------------

• Ball & Stem Seats

D	POM- Standard
P	PEEK
N	PA612
X	PTFE w/metallic insert

- Please consult your system's seal manufacturer for recommendation of seal selection, as Anchor Fluid Power does not accept responsibility for seal selection.

MAXIMUM & MINIMUM WORKING TEMPERATURES FOR SEAL MATERIALS



FLOW, NEEDLE & CHECK VALVES

HYDRAULIC BALL VALVES

WELD COUPLINGS

FLANGES

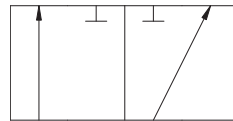
AB3 Series / Three-Way Round Body Threaded



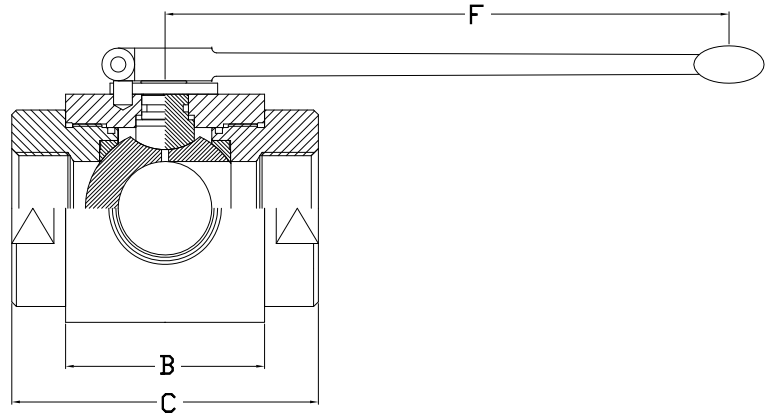
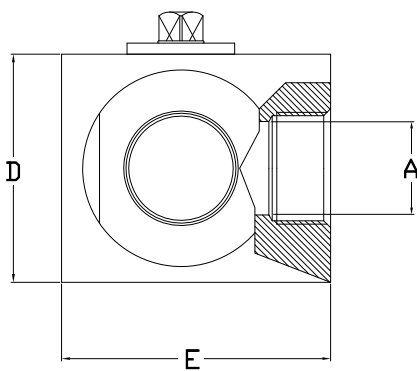
- Carbon steel construction with Silver Trivalent plating
- POM seats & Buna O-rings standard on carbon steel valves
- Optional seal materials available for extreme temperature applications & fluid compatibility (*Consult Factory*)



L Port



L Port



Standard handle supplied is C81302B. Refer to page 47 for details.

AB3 SERIES FULL BORE									
NPT	SAE	PSI MAX	A BORE	B	C	D	E	F	WEIGHT
AB3 L N1-1/4	AB3 L S#20	5075	1.26	2.96	4.53	3.66	3.90	11.81	11.7 LBS
AB3 L N1-1/2	AB3 L S#24	5075	1.57	3.35	5.16	4.21	4.53	11.81	16.1 LBS
AB3 L N2	AB3 L S#32	5075	1.89	3.86	5.51	4.49	5.04	11.81	20.2 LBS

Only pressurize center port. Side ports should not be pressurized or be exposed to backpressure that is greater than the inlet pressure. Failure to follow these guidelines will result in internal leakage through the valve.

NPT threads in accordance with ANSI B.1.20.1 specifications.

SAE threads in accordance with SAE J1926/1 specifications.



AB3 Series / Three-Way Round Body Threaded

Model Code Breakdown

AB3L N1 1/2 - 1 1 D B _

Valve Series •

Port Type •

L	"Diverter" L-Port
---	-------------------

Connection Type/Size •

N	NPT Pipe Thread
S	SAE Straight Thread

Body & Adapter Material •

1	Carbon Steel
2	316 Stainless Steel

Ball & Stem Material •

1	Carbon Steel
2	316 Stainless Steel

• Locking Kit or Optional Handle Code (See pages 46 & 47)

• Adapter & Stem Seals

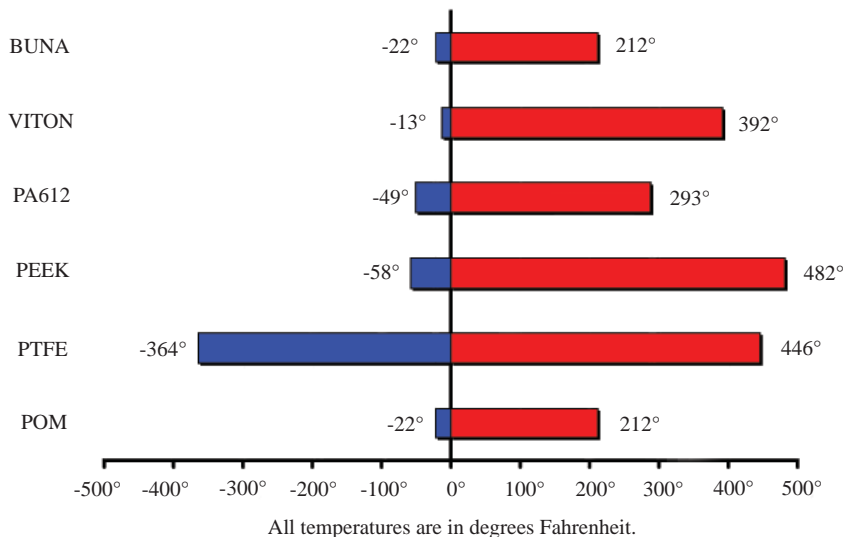
B	Buna- Standard
V	Viton (Std on S/S)

• Ball & Stem Seats

D	POM- Standard
P	PEEK
N	PA612
X	PTFE w/metallic insert

- Please consult your system's seal manufacturer for recommendation of seal selection, as Anchor Fluid Power does not accept responsibility for seal selection.

MAXIMUM & MINIMUM WORKING TEMPERATURES FOR SEAL MATERIALS



FLOW, NEEDLE & CHECK VALVES

HYDRAULIC BALL VALVES

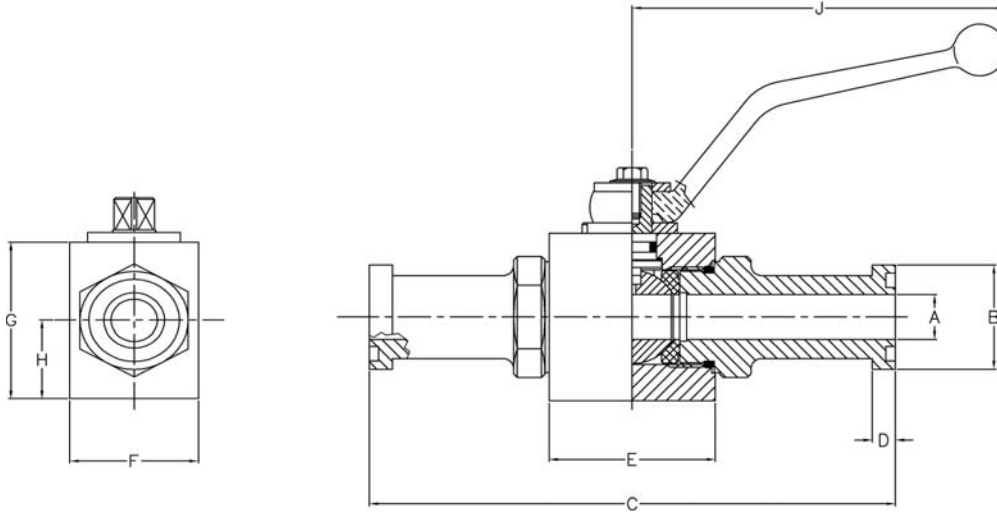
WELD COUPLINGS

FLANGES

AES Series / Two-Way Block Body Flange Head



- Carbon steel construction with Silver Trivalent plating
- 316 stainless steel available from stock
- POM seats & Buna O-rings standard on carbon steel valves
- Optional seal materials available for extreme temperature applications & fluid compatibility (Consult Factory)



Standard handles supplied are:
Refer to page 47 for details.

#8
#12 & #16

C1010ZB
C1200ZB

FLOW, NEEDLE & CHECK VALVES

HYDRAULIC BALL VALVES

WELD COUPLINGS

FLANGES

AES SERIES - CODE 61													
SERIES	PSI MAX	A BORE	B	C	D	E	F		G		H	J	WEIGHT
							CARBON	STAINLESS	CARBON	STAINLESS			
AES3#8	5000	.51	1.19	5.94	.27	1.89	1.69	1.77	1.46	1.77	.71	4.31	2.1 LBS
AES3#12	5000	.75	1.50	6.38	.27	2.44	2.17	2.17	1.77	2.17	.91	7.00	3.7 LBS
AES3#16	5000	.98	1.75	7.00	.32	2.60	2.56	2.56	2.17	2.56	1.14	7.00	5.5 LBS

AES SERIES - CODE 62													
SERIES	PSI MAX	A BORE	B	C	D	E	F		G		H	J	WEIGHT
							CARBON	STAINLESS	CARBON	STAINLESS			
AES6#8	6000	.51	1.25	5.94	.31	1.89	1.69	1.77	1.46	1.77	.71	4.31	2.1 LBS
AES6#12	6000	.75	1.63	6.85	.35	2.44	2.17	2.17	1.77	2.17	.91	7.00	3.9 LBS
AES6#16	5000	.98	1.87	7.80	.38	2.60	2.56	2.56	2.17	2.56	1.14	7.00	5.9 LBS



AES Series / Two-Way Block Body Flange Head

Model Code Breakdown

AES3 #16 - 1 1 D B _

Valve Series

AES3	Code 61
AES6	Code 62

Connection Size

Body & Adapter Material

1	Carbon Steel
2	316 Stainless Steel

Ball & Stem Material

1	Carbon Steel
2	316 Stainless Steel

Locking Kit or Optional Handle Code

(See pages 46 & 47)

Adapter & Stem Seals

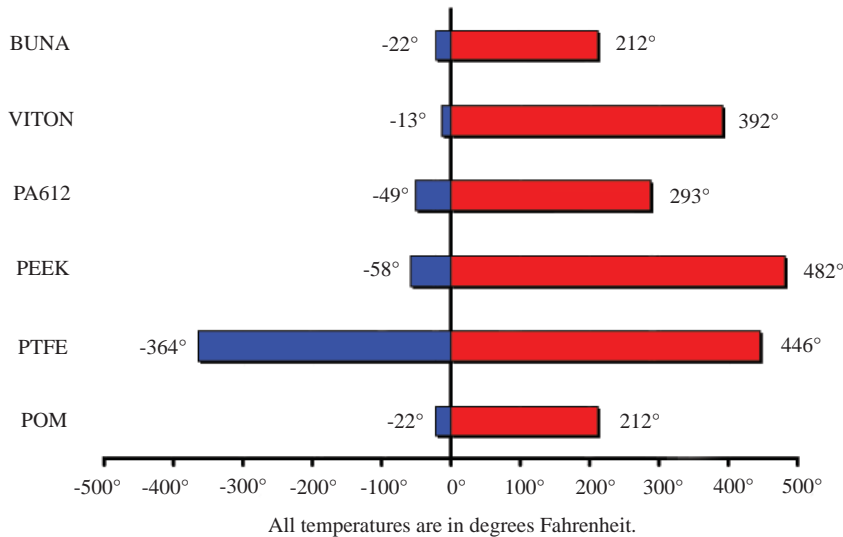
B	Buna- Standard
V	Viton (Std on S/S)

Ball & Stem Seats

D	POM- Standard
P	PEEK
N	PA612
X	PTFE w/metallic insert

- Please consult your system's seal manufacturer for recommendation of seal selection, as Anchor Fluid Power does not accept responsibility for seal selection.

MAXIMUM & MINIMUM WORKING TEMPERATURES FOR SEAL MATERIALS



FLOW, NEEDLE & CHECK VALVES

HYDRAULIC BALL VALVES

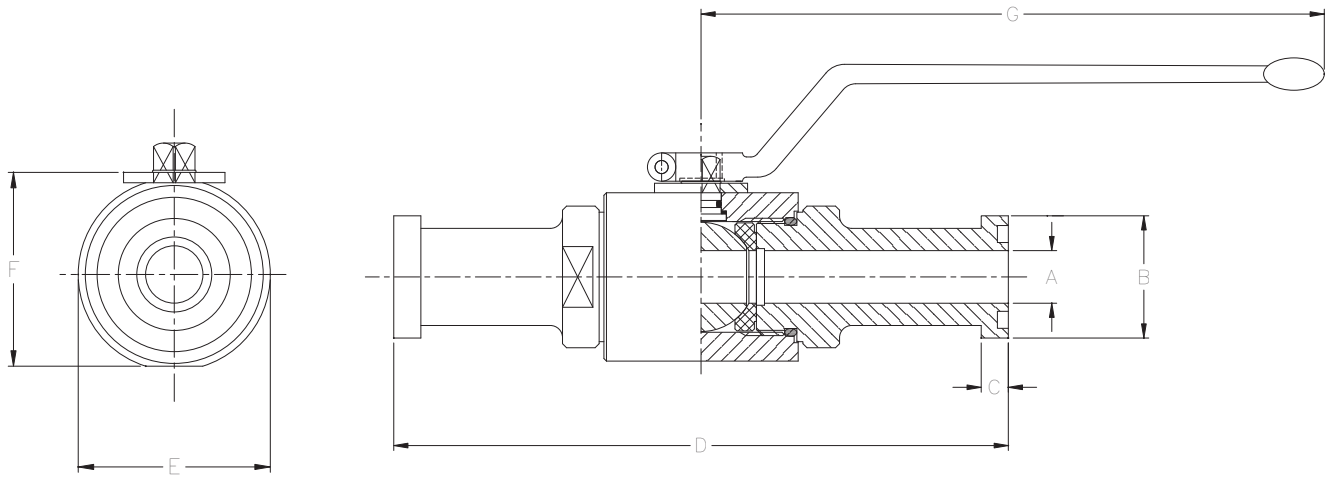
WELD COUPLINGS

FLANGES

ABS Series / Two-Way Round Body Flange Head



- Carbon steel construction with Silver Trivalent plating
- 316 stainless steel available from stock
- POM seats & Buna O-rings standard on carbon steel valves
- Optional seal materials available for extreme temperature applications & fluid compatibility (*Consult Factory*)



Standard handle supplied is C92501Z. Refer to page 47 for details.

ABS SERIES - CODE 61									
SERIES	PSI MAX	A BORE	B	C	D	E	F	G	WEIGHT
ABS3#20	4000	1.18	2.00	.32	7.52	3.88	3.66	12.31	9.2 LBS
ABS3#24	3000	1.42	2.37	.32	9.10	4.45	4.21	12.31	15.1 LBS
ABS3#32	3000	1.89	2.81	.38	9.13	4.84	4.49	12.31	16.5 LBS

ABS SERIES - CODE 62									
SERIES	PSI MAX	A BORE	B	C	D	E	F	G	WEIGHT
ABS6#20	5000	1.06	2.13	.41	8.78	3.88	3.66	12.31	10.1 LBS
ABS6#24	5000	1.26	2.50	.50	11.06	4.84	4.21	12.31	15.1 LBS
ABS6#32	5000	1.77	3.13	.50	12.44	3.88	4.49	12.31	20.6 LBS

FLOW, NEEDLE & CHECK VALVES

HYDRAULIC BALL VALVES

WELD COUPLINGS

FLANGES



ABS Series / Two-Way Round Body Flange Head

Model Code Breakdown

ABS3 #32 - 1 1 D B _

Valve Series •

ABS3	Code 61
ABS6	Code 62

Connection Size •

Body & Adapter Material •

1	Carbon Steel
2	316 Stainless Steel

Ball & Stem Material •

1	Carbon Steel
2	316 Stainless Steel

Locking Kit or Optional Handle Code

(See pages 46 & 47)

Adapter & Stem Seals

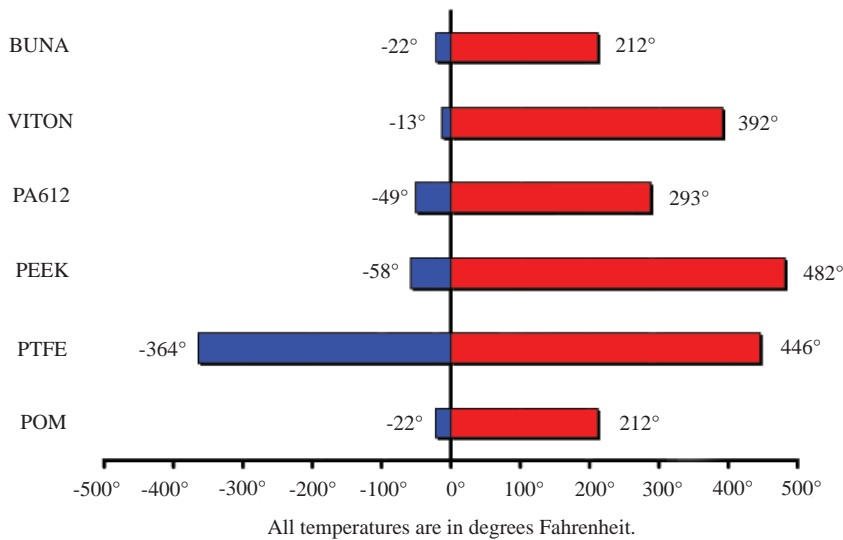
B	Buna- Standard
V	Viton (Std on S/S)

Ball & Stem Seats

D	POM- Standard
P	PEEK
N	PA612
X	PTFE w/metallic insert

- Please consult your system's seal manufacturer for recommendation of seal selection, as Anchor Fluid Power does not accept responsibility for seal selection.

MAXIMUM & MINIMUM WORKING TEMPERATURES FOR SEAL MATERIALS



FLOW, NEEDLE & CHECK VALVES

HYDRAULIC BALL VALVES

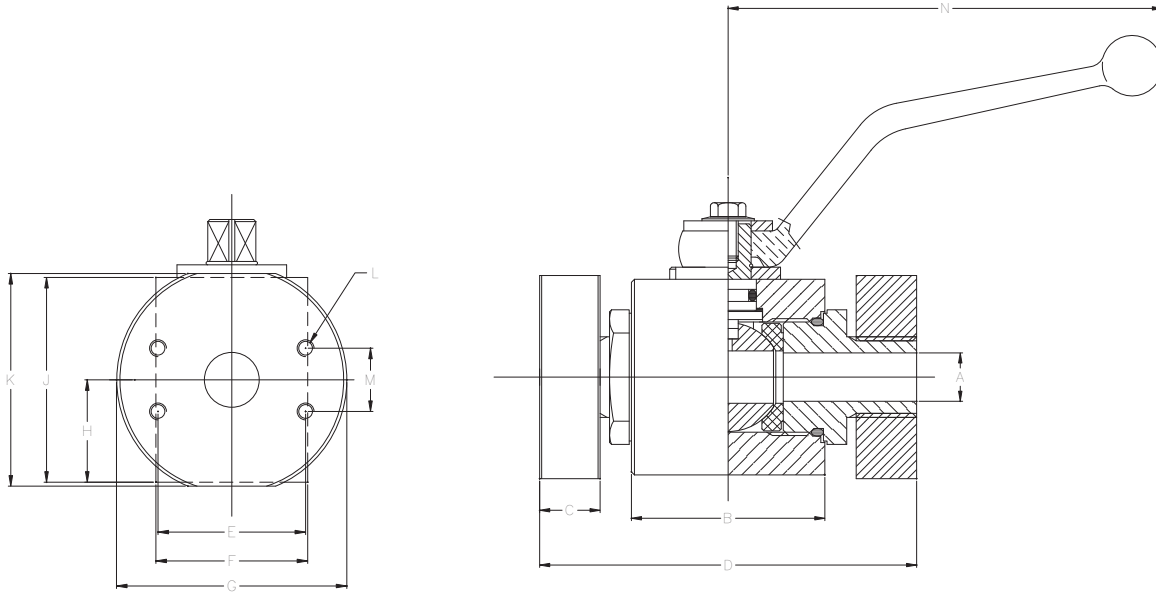
WELD COUPLINGS

FLANGES

AEF Series / Two-Way Block Body Flat Face



- Carbon steel construction with Silver Trivalent plating
- 316 stainless steel available from stock
- POM seats & Buna O-rings standard on carbon steel valves
- Optional seal materials available for extreme temperature applications & fluid compatibility (Consult Factory)



Standard handles supplied are:
Refer to page 47 for details.

#8
#12 - #16

C1010ZB
C1200ZB

FLOW, NEEDLE & CHECK VALVES

HYDRAULIC BALL VALVES

WELD COUPLINGS

FLANGES

AEF SERIES - CODE 61

SERIES	PSI MAX	A BORE	B	C	D	E	F		G	H	J		K	L	M	N	WEIGHT
							CARBON	STAINLESS			CARBON	STAINLESS					
AEF3#8	5000	.51	1.89	.87	4.72	1.50	1.46	1.77	2.20	.71	1.69	1.77	1.89	5/16-18	.69	4.31	4.6 LBS
AEF3#12	5000	.79	2.49	.91	5.35	1.87	1.77	2.17	2.83	.91	2.17	2.17	2.36	3/8-16	.87	7.00	6.6 LBS
AEF3#16	5000	.98	2.60	1.06	5.83	2.06	2.17	2.56	3.19	1.14	2.56	2.56	2.76	3/8-16	1.03	7.00	7.6 LBS

AEF SERIES - CODE 62

SERIES	PSI MAX	A BORE	B	C	D	E	F		G	H	J		K	L	M	N	WEIGHT
							CARBON	STAINLESS			CARBON	STAINLESS					
AEF6#8	6000	.51	1.89	.87	4.72	1.59	1.46	1.77	2.20	.71	1.69	1.77	1.89	5/16-18	.72	4.31	4.6 LBS
AEF6#12	6000	.79	2.49	.91	5.35	2.00	1.77	2.17	2.83	.91	2.17	2.17	2.36	3/8-16	.94	7.00	6.6 LBS
AEF6#16	5000	.98	2.60	1.06	5.83	2.25	2.17	2.56	3.19	1.14	2.56	2.56	2.76	7/16-14	1.09	7.00	7.6 LBS



AEF Series / Two-Way Block Body Flat Face

Model Code Breakdown

AEF3 #16 - 1 1 D B

Valve Series

AEF3	Code 61
AEF6	Code 62

Connection Size

Body & Adapter Material

1	Carbon Steel
2	316 Stainless Steel

Ball & Stem Material

1	Carbon Steel
2	316 Stainless Steel

Locking Kit or Optional Handle Code

(See pages 46 & 47)

Adapter & Stem Seals

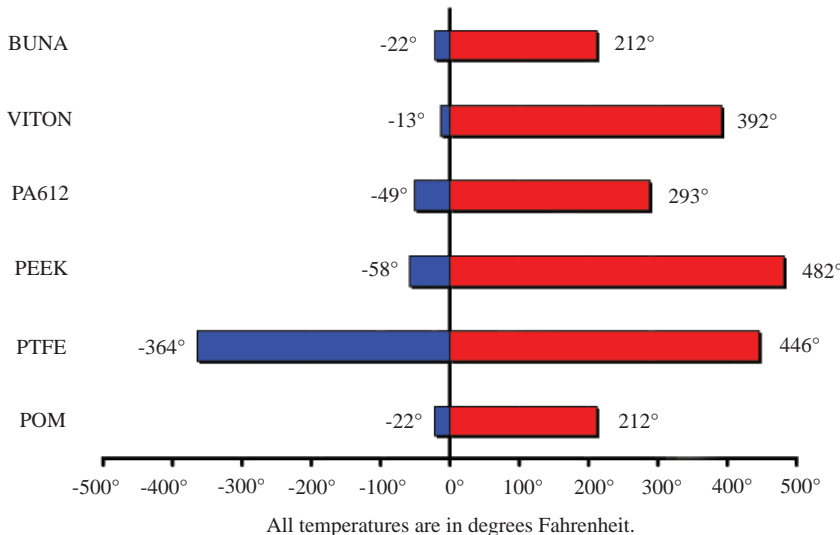
B	Buna- Standard
V	Viton (Std on S/S)

Ball & Stem Seats

D	POM- Standard
P	PEEK
N	PA612
X	PTFE w/metallic insert

- Please consult your system's seal manufacturer for recommendation of seal selection, as Anchor Fluid Power does not accept responsibility for seal selection.

MAXIMUM & MINIMUM WORKING TEMPERATURES FOR SEAL MATERIALS



FLOW, NEEDLE & CHECK VALVES

HYDRAULIC BALL VALVES

WELD COUPLINGS

FLANGES

ABF Series / Two-Way Round Body Flat Face



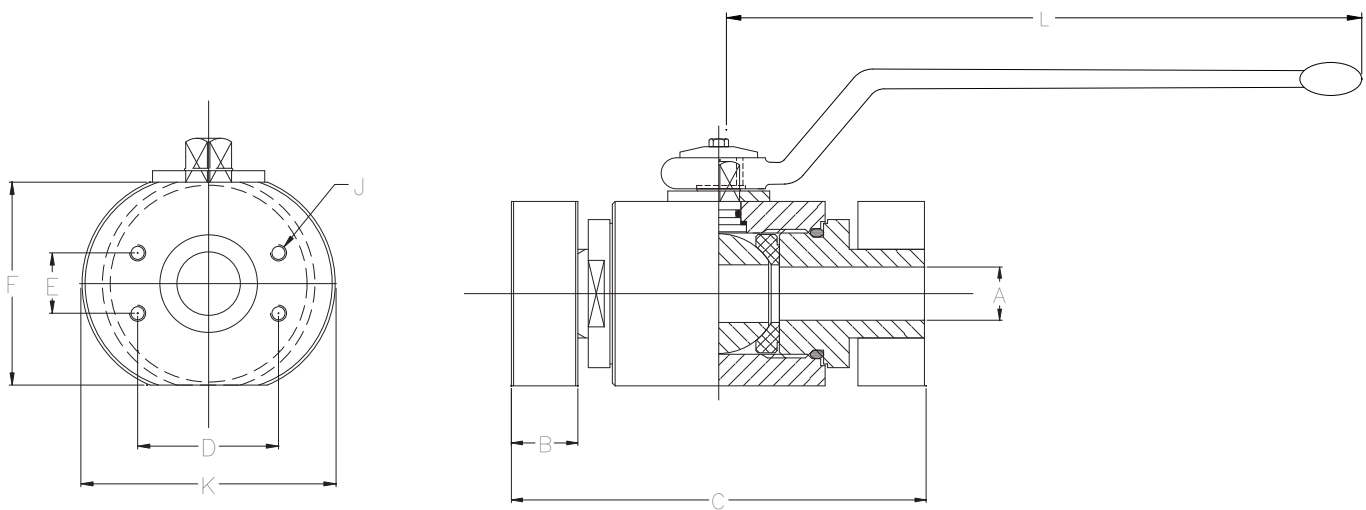
- Carbon steel construction with Silver Trivalent plating
- 316 stainless steel available from stock
- POM seats & Buna O-rings standard on carbon steel valves
- Optional seal materials available for extreme temperature applications & fluid compatibility (Consult Factory)

FLOW, NEEDLE & CHECK VALVES

HYDRAULIC BALL VALVES

WELD COUPLINGS

FLANGES



Standard handle supplied is C92501Z. Refer to page 47 for details.

ABF SERIES - CODE 61											
SERIES	PSI MAX	A BORE	B	C	D	E	F	J	K	L	WEIGHT
ABF3#20	4000	1.26	1.26	6.77	2.31	1.19	3.66	7/16-14	4.13	11.69	14.3 LBS
ABF3#24	3000	1.50	1.26	6.97	2.75	1.41	4.21	1/2-13	4.72	11.69	20.6 LBS
ABF3#32	3000	1.89	1.34	7.72	3.06	1.69	4.49	1/2-13	5.71	11.69	28.0 LBS

ABF SERIES - CODE 62											
SERIES	PSI MAX	A BORE	B	C	D	E	F	J	K	L	WEIGHT
ABF6#20	5000	1.26	1.26	6.77	2.63	1.25	3.66	1/2-13	4.13	11.69	14.2 LBS
ABF6#24	5000	1.50	1.26	6.97	3.13	1.44	4.21	5/8-11	4.72	11.69	20.3 LBS
ABF6#32	5000	1.89	1.34	7.72	3.81	1.75	4.49	3/4-10	5.71	11.69	27.6 LBS



ABF Series / Two-Way Round Body Flat Face

Model Code Breakdown

ABF3 #32 - 1 1 D B

Valve Series

ABF3	Code 61
ABF6	Code 62

Connection Size

Body & Adapter Material

1	Carbon Steel
2	316 Stainless Steel

Ball & Stem Material

1	Carbon Steel
2	316 Stainless Steel

Locking Kit or Optional Handle Code

(See pages 46 & 47)

Adapter & Stem Seals

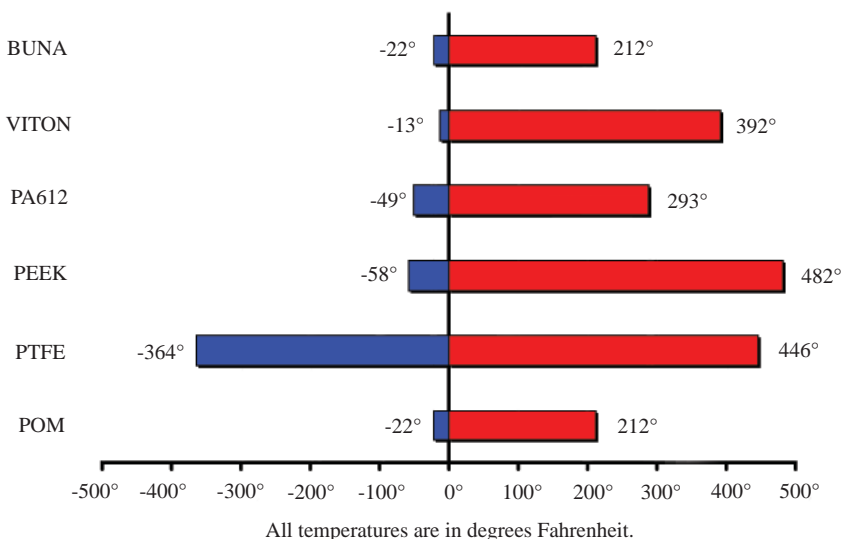
B	Buna- Standard
V	Viton (Std on S/S)

Ball & Stem Seats

D	POM- Standard
P	PEEK
N	PA612
X	PTFE w/metallic insert

- Please consult your system's seal manufacturer for recommendation of seal selection, as Anchor Fluid Power does not accept responsibility for seal selection.

MAXIMUM & MINIMUM WORKING TEMPERATURES FOR SEAL MATERIALS



FLOW, NEEDLE & CHECK VALVES

HYDRAULIC BALL VALVES

WELD COUPLINGS

FLANGES

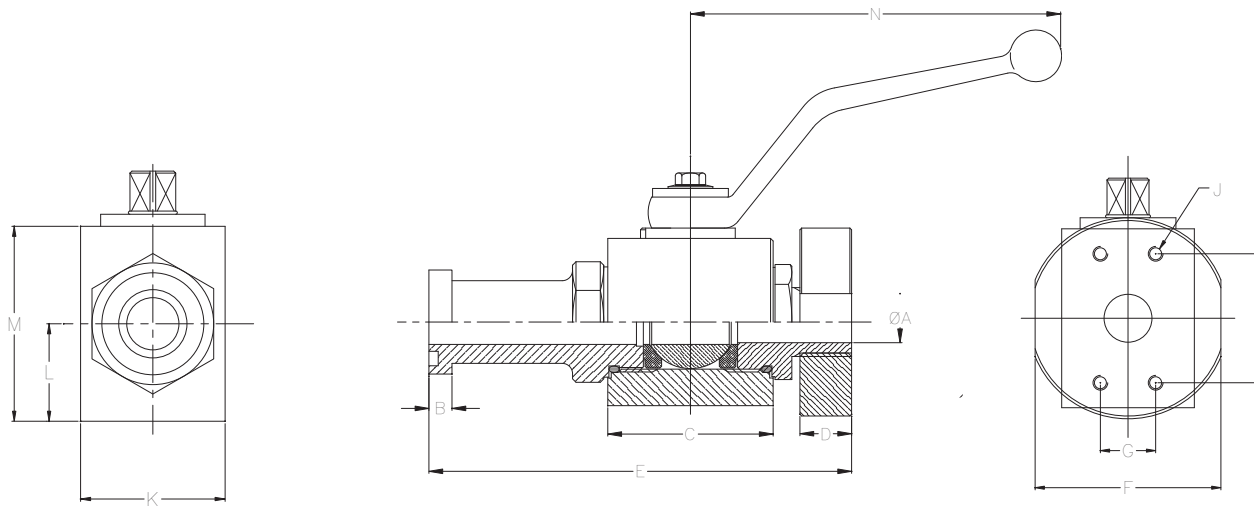
AES/F & ABS/F Series / Flange Head X Flat-Face



- Flange Head X Flat-Face connections for insertion in between existing flange joints.
- Ideal for flange mounting anywhere a flange connection exists or where hoses are already connected.
- Carbon steel construction with Silver Trivalent plating
- 316 stainless steel available
- POM seats & Buna O-rings standard on carbon steel valves
- Optional seal materials available for extreme temperature applications & fluid compatibility (Consult Factory)

FLOW, NEEDLE & CHECK VALVES

HYDRAULIC BALL VALVES



Standard handles supplied are:

- #8
- #12 - #16
- #20 - #32

- C1010ZB
- C1200ZB
- C92501Z

Refer to page 47 for details.

WELD COUPLINGS

FLANGES

AES/F SERIES														
SERIES	PSI MAX	A BORE	B	C	D	E	F	G	H	J	K	L	M	N
AES/F3#8	5000	.51	.27	1.89	.87	5.3	1.89	.69	1.50	5/16-18	1.46	.71	1.89	4.31
AES/F6#8	6000	.51	.31	1.89	.87	5.3	1.89	.72	1.59	5/16-18	1.46	.71	1.89	4.31
AES/F3#12	5000	.75	.27	2.44	.91	5.8	2.36	.87	1.87	3/8-16	1.77	.91	2.36	7.00
AES/F6#12	6000	.79	.35	2.44	.91	6.1	2.36	.94	2.00	3/8-16	1.77	.91	2.36	7.00
AES/F3#16	5000	.98	.32	2.60	1.06	6.4	2.76	1.03	2.06	3/8-16	2.17	1.14	2.76	7.00
AES/F6#16	5000	.98	.38	2.60	1.06	6.8	2.76	1.09	2.25	7/16-14	2.17	1.14	2.76	7.00

ABS/F SERIES														
SERIES	PSI MAX	A BORE	B	C	D	E	F	G	H	J	K	L	M	N
ABS/F3#20	4000	1.26	.32	2.96	1.26	7.2	3.07	1.19	2.31	7/16-14	3.46	1.65	3.25	12.31
ABS/F6#20	5000	1.26	.41	2.96	1.26	7.8	3.07	1.25	2.63	1/2-13	3.46	1.65	3.25	12.31
ABS/F3#24	3000	1.50	.32	3.36	1.26	8.0	3.78	1.41	2.75	1/2-13	4.02	1.89	3.86	12.31
ABS/F6#24	5000	1.50	.50	3.36	1.26	9.0	3.78	1.44	3.13	5/8-11	4.02	1.89	3.86	12.31
ABS/F3#32	3000	1.89	.38	3.54	1.34	8.4	4.72	1.69	3.06	1/2-13	4.29	2.03	4.06	12.31
ABS/F6#32	5000	1.89	.50	3.54	1.34	9.5	4.72	1.75	3.81	3/4-10	4.29	2.03	4.06	12.31



AES/F & ABS/F Series / Flange Head X Flat-Face

Model Code Breakdown

AES/F3 #8 - 1 1 D B _

Valve Series •

AES/F3	Code 61 Block Body
AES/F6	Code 62 Block Body
ABS/F3	Code 61 Round Body
ABS/F6	Code 62 Round Body

Connection Size •

Body & Adapter Material •

1	Carbon Steel
2	316 Stainless Steel

Ball & Stem Material •

1	Carbon Steel
2	316 Stainless Steel

Locking Kit or Optional Handle Code (See pages 46 & 47)

Adapter & Stem Seals

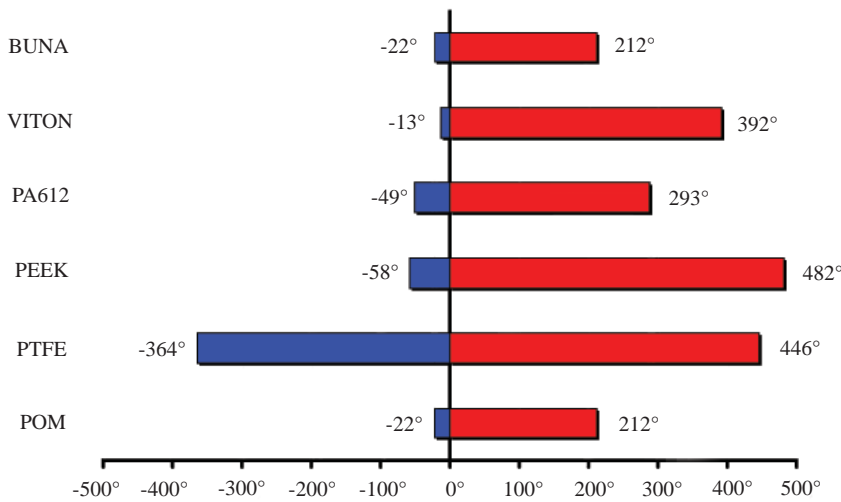
B	Buna- Standard
V	Viton (Std on S/S)

Ball & Stem Seats

D	POM- Standard
P	PEEK
N	PA612
X	PTFE w/metallic insert

- Please consult your system's seal manufacturer for recommendation of seal selection, as Anchor Fluid Power does not accept responsibility for seal selection.

MAXIMUM & MINIMUM WORKING TEMPERATURES FOR SEAL MATERIALS

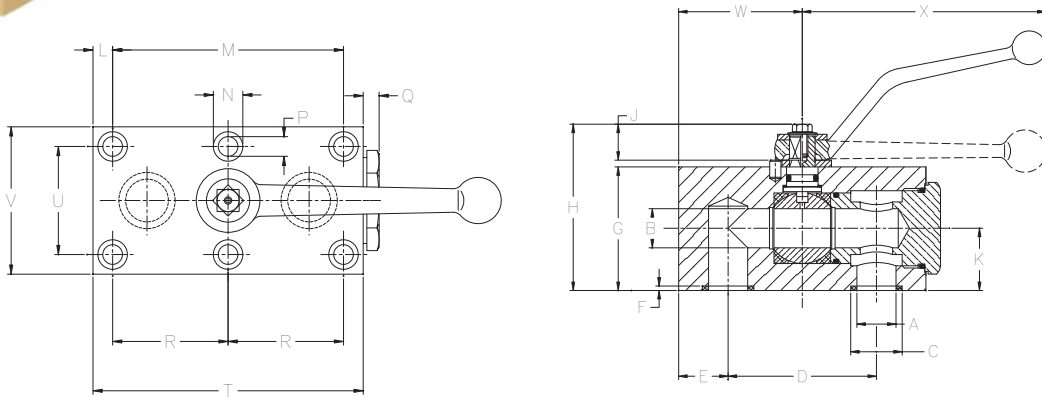


All temperatures are in degrees Fahrenheit.

APK Series / Two-Way Manifold Mount



- Carbon steel construction with Zinc Dichromate plating
- POM seats & Buna O-rings standard on carbon steel valves
- Optional seal materials available for extreme temperature applications & fluid compatibility (Consult Factory)



Standard handles supplied are:
Refer to page 47 for details.

#4 - #8	C1010ZB
#12 - #16	C1200ZB
#20 - #24	C92501Z

APK SERIES											
SERIES	PSI MAX	A	B	C	D	E	F	G	H	J	K
APK2 #4	7250	.24	.24	.464	1.377	.37	.074	1.38	1.89	.43	.75
APK2 #6	7250	.39	.39	.586	1.734	.39	.074	1.77	2.36	.43	.94
APK2 #8	5800	.51	.51	.980	2.283	.71	.074	2.17	2.76	.43	1.34
APK2 #12	5075	.79	.79	1.141	2.716	.83	.078	2.76	3.46	.51	1.50
APK2 #16	5075	.98	.98	1.374	3.188	.94	.090	3.15	3.86	.51	1.80
APK2 #20	5075	1.26	1.26	1.574	3.779	1.10	.078	3.94	4.84	.51	2.17
APK2 #24	5075	1.46	1.57	1.877	4.409	1.14	.090	4.33	5.24	.51	2.28

APK SERIES (CONT'D)											
SERIES	L	M	N	P	Q	R	T	U	V	W	X
APK2 #4	.354	1.377	.413	.255	.28	*N/A	2.28	1.062	1.57	1.06	4.31
APK2 #6	.295	2.165	.531	.334	.39	*N/A	2.76	1.574	2.17	1.14	4.31
APK2 #8	.374	3.267	.531	.334	.39	1.633	3.94	1.771	2.36	1.69	4.31
APK2 #12	.452	3.818	.649	.413	.39	1.909	4.65	2.007	2.76	2.05	7.00
APK2 #16	.354	4.527	.649	.413	.47	2.263	5.31	2.362	3.15	2.44	7.00
APK2 #20	.433	5.354	.748	.511	.59	2.677	6.50	3.070	3.94	2.95	11.81
APK2 #24	1.141	4.409	.984	.649	.67	2.204	7.28	3.740	5.12	3.39	11.81

*Valve sizes #4 & #6 only have (4) mounting holes.

FLOW, NEEDLE & CHECK VALVES

HYDRAULIC BALL VALVES

WELD COUPLINGS

FLANGES



APK Series / Two-Way Manifold Mount

Model Code Breakdown

APK2 #20 - 1 1 D B _

Valve Series •

APK2	Manifold Mount 2-way
------	----------------------

Connection Size •

Body & Adapter Material •

1	Carbon Steel
2	316 Stainless Steel

Ball & Stem Material •

1	Carbon Steel
2	316 Stainless Steel

• **Locking Kit or Optional Handle Code**
(See pages 46 & 47)

• Adapter & Stem Seals

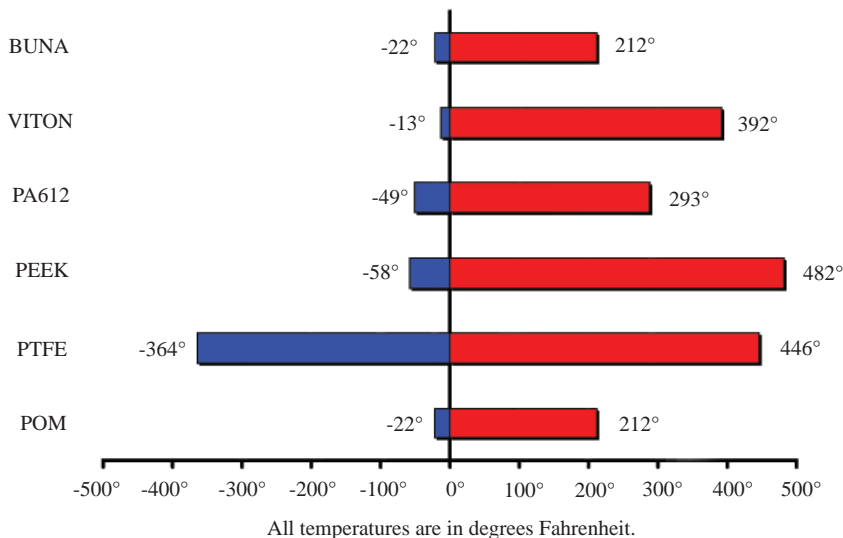
B	Buna- Standard
V	Viton (Std on S/S)

• Ball & Stem Seats

D	POM- Standard
P	PEEK
N	PA612
X	PTFE w/metallic insert

- Please consult your system's seal manufacturer for recommendation of seal selection, as Anchor Fluid Power does not accept responsibility for seal selection.

MAXIMUM & MINIMUM WORKING TEMPERATURES FOR SEAL MATERIALS



FLOW, NEEDLE & CHECK VALVES

HYDRAULIC BALL VALVES

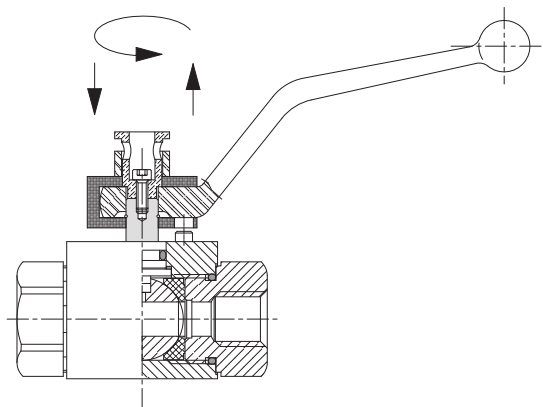
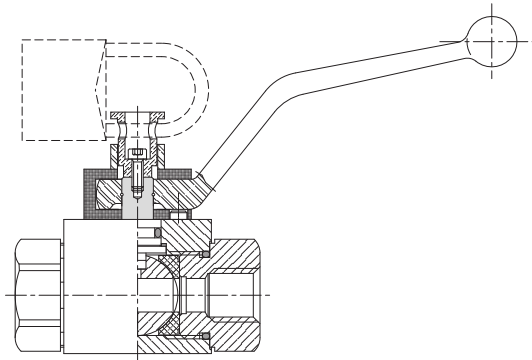
WELD COUPLINGS

FLANGES

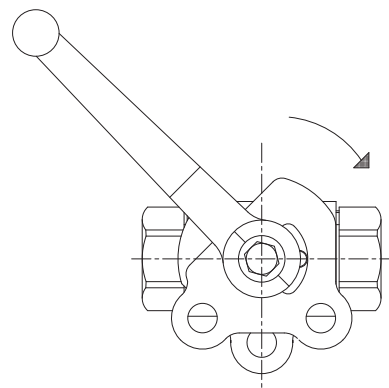
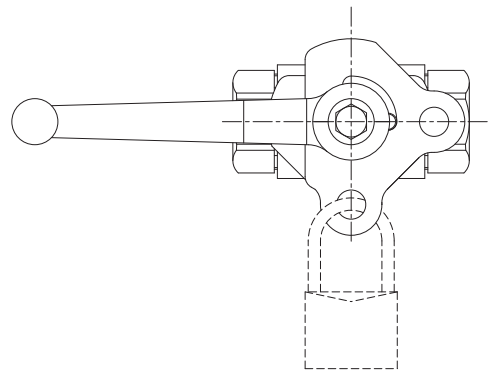
LOCKING KITS AVAILABLE FROM STOCK			
Part Number	Valve Size	Material	Suffix*
LK6	1/8" - 1/2"	Carbon Steel	L
LK20	3/4" - 1"	Carbon Steel	L
LK32	1 1/4" - 2"	Carbon Steel	L
LK6-S/S	1/8" - 1/2"	Stainless Steel	L
LK20-S/S	3/4" - 1"	Stainless Steel	L
LK32-S/S	1 1/4" - 2"	Stainless Steel	L
G6	1/8" - 1/2"	Carbon Steel	G
G20	3/4" - 1"	Carbon Steel	G

*Add this suffix to the end of the valve part # to receive the corresponding locking kit for that size valve- *installed at the factory*. Carbon steel valves receive carbon steel locking kits. Stainless steel valves receive stainless locking kits.

“G” Style Lock



“L” Style Lock



Proprietary tamper proof fasteners are available upon request making locking kit removal more difficult. Consult factory for details concerning tamper proof fastener options.

Handles for 1/8" through 1/2" Valves



C0020ZB
Carbon Steel
Fits 1/8" - 1/2" Valves
5 - 7/8" Long
Code "A"



C1010ZB
Carbon Steel
Fits 1/8" - 1/2" Valves
4 - 1/4" Long



C10106H
Stainless Steel
Fits 1/8" - 1/2" Valves
4 - 1/4" Long
Code "C"

Handles for 3/4" through 1" Valves



C1200ZB
Carbon Steel
Fits 3/4" - 2" Valves
7" Long
Code "Z"



C69206H
Stainless Steel
Fits 3/4" - 1" Valves
7 - 7/8" Long
Code "W"



C2950AV
Aluminum
Fits 3/4" - 1" Valves
8" Long
Code "Y"

Handles for 1 1/4" through 2" Valves



C81302B
Carbon Steel
Fits 1 1/4" - 2" Valves
11 - 3/4" Long
Code "E"



C92501Z-SW17
Carbon Steel
Fits 1 1/4" - 2" Valves
12 - 1/8" Long
Code "H"

Dimensions are approximate and are subject to change without notice. For exact dimensional info, please consult the factory with the specific handle part #.

FLOW, NEEDLE & CHECK VALVES

HYDRAULIC BALL VALVES

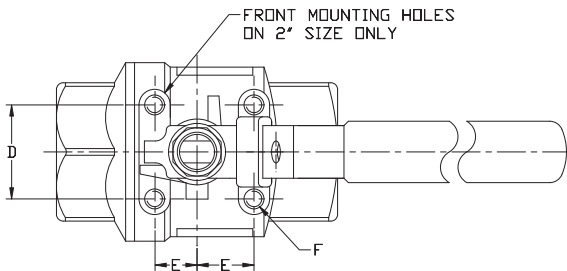
WELD COUPLINGS

FLANGES

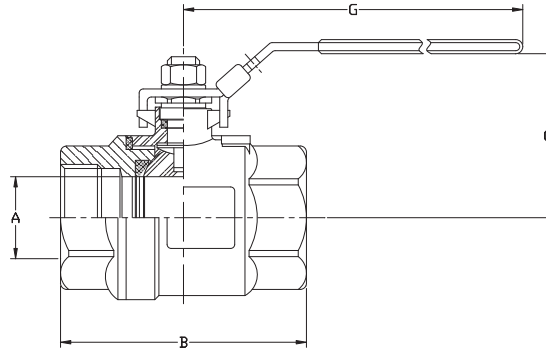
LV2B Series / 1000 WOG Stainless Steel



- 1000 PSI rating on all sizes
- All stainless steel construction
- Locking handles standard
- Ideal for suction, pressure and return lines
- Available in NPT & SAE threads
- Mounting holes standard on SAE #16 - #32
- Mounting holes optional on all other valves up to 2"



SHOWN WITH OPTIONAL MOUNTING HOLES



Model Code:

LV2B **N** **1/2"** -2T **-MH**

Thread type (**N**-NPT; **S**-SAE)
Thread size (Ex. **N1/2"**; **#8**)

Optional Mounting Holes

LV2B SERIES - NPT							
SIZE	A	B	C	D	E	F UNC	G
1/4"	.36	2.13	2.13	1.12	.49	10-24	4.33
3/8"	.50	2.13	2.17	1.12	.49	10-24	4.33
1/2"	.59	2.24	2.28	1.12	.49	10-24	4.53
3/4"	.79	2.68	2.40	1.12	.49	10-24	4.53
1"	.98	3.15	3.03	1.38	.91	1/4-20	5.04
1-1/4"	1.26	3.58	3.19	1.48	1.00	1/4-20	5.04
1-1/2"	1.50	4.06	3.54	1.48	1.00	1/4-20	6.10
2"	1.97	4.88	4.25	1.50	1.00	1/4-20	6.10
2-1/2"	2.56	6.30	5.20	N/A	N/A	N/A	9.06
3"	3.15	7.28	5.71	N/A	N/A	N/A	9.06

LV2B SERIES - SAE							
SIZE	A	B	C	D	E	F UNC	G
1/4"	.35	2.40	2.13	1.12	.49	10-24	4.33
3/8"	.47	2.40	2.17	1.12	.49	10-24	4.33
1/2"	.59	2.52	2.28	1.12	.49	10-24	4.53
3/4"	.79	3.23	2.40	1.12	.49	10-24	4.53
1"	.98	3.62	3.03	1.38	.91	1/4-20	5.04
1-1/4"	1.26	3.96	3.19	1.48	1.00	1/4-20	5.04
1-1/2"	1.50	4.23	3.54	1.48	1.00	1/4-20	6.10
2"	1.97	4.90	4.25	1.50	1.00	1/4-20	6.10

COMPONENT MATERIALS		
COMPONENT	MATERIAL	QTY
VALVE BODY	ASTM A351 GR CF8M	1
TAILPIECE	ASTM A351 GR CF8M	1
BALL	ASTM A351 GR CF8M	1
STEM	316	1
BALL SEAT	PTFE	2
STEM SEAT	PTFE	1
STEM PACKING	PTFE	1
STEM GLAND	304	1
HANDLE	304	1
STEM LOCK WASHER	304	1
STEM NUT	304	1
HANDLE SLEEVE	VINYL	1
LOCK	304	1

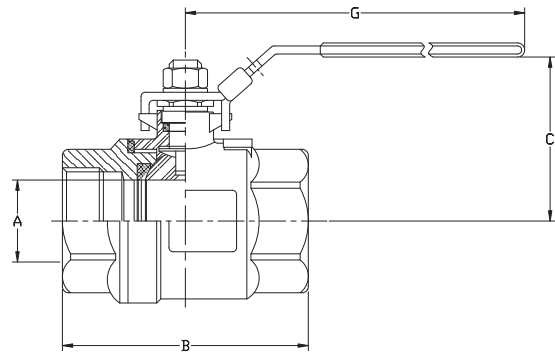
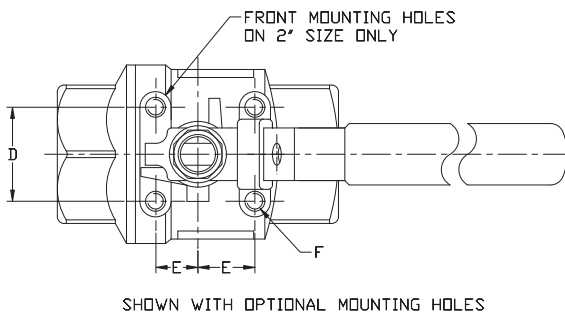
FLOW, NEEDLE & CHECK VALVES

HYDRAULIC BALL VALVES

WELD COUPLINGS

FLANGES

- 2000 PSI rating on all sizes
- All stainless steel construction
- Locking handles standard
- Mounting holes optional on all sizes
- Ideal for suction, pressure and return lines
- Available in NPT & SAE threads



Model Code:

MV2B **N** **1/2"** -2T **-MH**

Thread type (**N**-NPT; **S**-SAE)

Thread size (Ex. **N1/2"**; **S#8**)

Optional Mounting Holes

MV2B SERIES - NPT							
SIZE	A	B	C	D	E	F UNC	G
1/4"	.36	2.13	2.13	1.12	.49	10-24	4.33
3/8"	.50	2.13	2.17	1.12	.49	10-24	4.33
1/2"	.59	2.24	2.28	1.12	.49	10-24	4.53
3/4"	.79	2.76	2.40	1.12	.49	10-24	4.53
1"	.98	3.25	3.03	1.38	.91	1/4-20	5.04
1-1/4"	1.26	3.58	3.19	1.48	1.00	1/4-20	5.04
1-1/2"	1.50	4.06	3.54	1.48	1.00	1/4-20	6.10
2"	1.97	4.90	4.25	1.50	1.00	1/4-20	6.10

MV2B SERIES - SAE							
SIZE	A	B	C	D	E	F UNC	G
1/4"	.35	2.40	2.13	1.12	.49	10-24	4.33
3/8"	.47	2.40	2.17	1.12	.49	10-24	4.33
1/2"	.59	2.52	2.28	1.12	.49	10-24	4.53
3/4"	.79	3.23	2.40	1.12	.49	10-24	4.53
1"	.98	3.62	3.03	1.38	.91	1/4-20	5.04
1-1/4"	1.26	3.96	3.19	1.48	1.00	1/4-20	5.04
1-1/2"	1.50	4.23	3.54	1.48	1.00	1/4-20	6.10
2"	1.97	4.90	4.25	1.50	1.00	1/4-20	6.10

COMPONENT MATERIALS		
COMPONENT	MATERIAL	QTY
VALVE BODY	ASTM A351 GR CF8M	1
TAILPIECE	ASTM A351 GR CF8M	1
BALL	ASTM A351 GR CF8M	1
STEM	316	1
BALL SEAT	PTFE	2
STEM SEAT	PTFE	1
STEM PACKING	PTFE	1
STEM GLAND	304	1
HANDLE	304	1
STEM LOCK WASHER	304	1
STEM NUT	304	1
HANDLE SLEEVE	VINYL	1
LOCK	304	1



WELD COUPLINGS



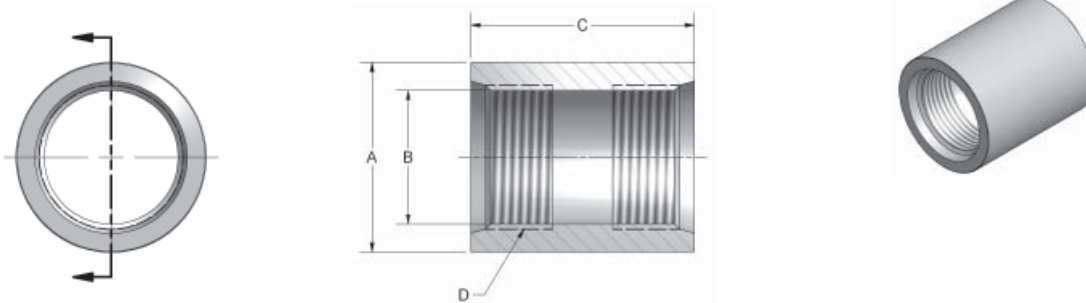
SAE Full Couplings	54
SAE Half Couplings	55
NPTF Half Couplings	56
Socket Weld Couplings	57
BSPF Full Couplings	58
BSPF Half Couplings	59
ISO 6149 Metric Couplings	60
Custom Weld Couplings	61

FLOW, NEEDLE & CHECK VALVES

HYDRAULIC BALL VALVES

WELD COUPLINGS

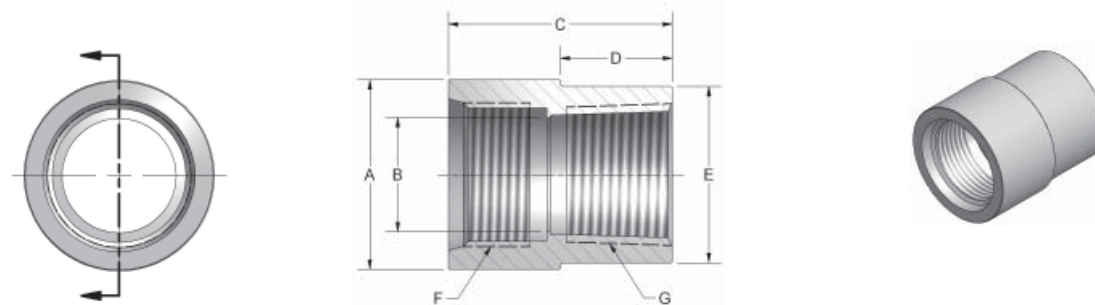
FLANGES



SAE TO SAE FULL COUPLING					
CARBON STEEL PART NO.	STAINLESS STEEL PART NO.	A	B	C	D SAE UN-2B
830-6	830-6-SS	1.00	.508	1.25	*9/16-18
830-8	830-8-SS	1.25	.689	1.63	*3/4-16
830-10	830-10-SS	1.38	.806	1.50	*7/8-14
830-12	830-12-SS	1.50	.981	2.06	1 1/16-12
830-14	830-14-SS	1.63	1.106	2.00	1 3/16-12
830-16	830-16-SS	1.75	1.231	2.06	1 5/16-12
830-20	830-20-SS	2.25	1.544	2.06	1 5/8-12
830-24	830-24-SS	2.75	1.794	2.20	1 7/8-12
830-32	830-32-SS	3.25	2.419	2.50	2 1/2-12

- AISI1020 CARBON STEEL
- 316L STAINLESS STEEL
- INCLUDES INDIVIDUAL THREAD IDENTIFICATION MARKING
- ADDITIONAL THREAD SIZES AND CONFIGURATIONS AVAILABLE

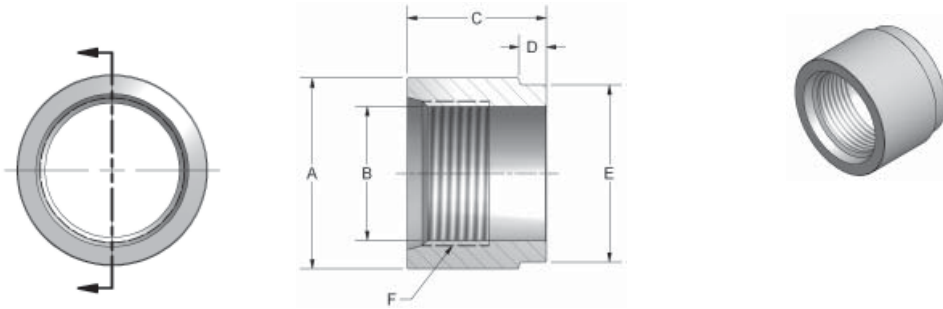
*UNF-2B



SAE TO NPTF FULL COUPLING								
CARBON STEEL PART NO.	STAINLESS STEEL PART NO.	A	B	C	D	E	F SAE UN-2B	G NPTF
825-4	825-4-SS	1.00	.389	1.27	.64	.875	*7/16-20	1/4-18
825-6	825-6-SS	1.13	.508	1.50	.75	1.000	*9/16-18	3/8-18
825-8	825-8-SS	1.25	.650	1.63	.82	1.125	*3/4-16	1/2-14
825-10-12	825-10-12-SS	1.50	.806	1.75	.88	1.375	*7/8-14	3/4-14
825-12	825-12-SS	1.50	.850	2.06	1.03	1.375	1 1/16-12	3/4-14
825-14-16	825-14-16-SS	1.75	1.050	2.15	1.08	1.625	1 3/16-12	1-11.5
825-16	825-16-SS	1.75	1.050	2.06	1.03	1.625	1 5/16-12	1-11.5
825-20	825-20-SS	2.25	1.420	2.06	1.03	2.125	1 5/8-12	1 1/4-11.5
825-24	825-24-SS	2.75	1.650	2.20	1.10	2.500	1 7/8-12	1 1/2-11.5
825-32	825-32-SS	3.25	2.125	2.50	1.25	3.000	2 1/2-12	2-11.5

- AISI1020 CARBON STEEL
- 316L STAINLESS STEEL
- INCLUDES INDIVIDUAL THREAD IDENTIFICATION MARKING
- ADDITIONAL THREAD SIZES AND CONFIGURATIONS AVAILABLE

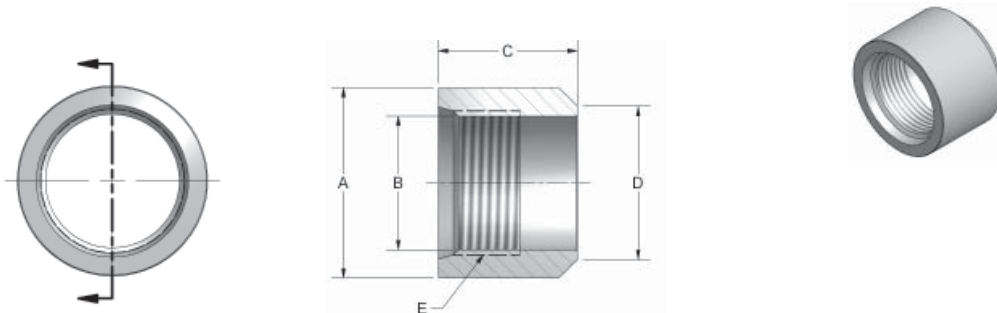
*UNF-2B



SAE HALF COUPLING							
CARBON STEEL PART NO.	STAINLESS STEEL PART NO.	A	B	C	D	E	F SAE UN-2B
835-4	835-4-SS	.88	.389	1.00	.250	.750	*7/16-20
835-6	835-6-SS	1.00	.508	1.00	.250	.875	*9/16-18
835-8	835-8-SS	1.25	.689	1.06	.250	1.125	*3/4-16
835-10	835-10-SS	1.38	.806	1.06	.250	1.250	*7/8-14
835-12	835-12-SS	1.50	.981	1.28	.250	1.375	1 1/16-12
835-14	835-14-SS	1.63	1.106	1.25	.250	1.500	1 3/16-12
835-16	835-16-SS	1.75	1.231	1.28	.250	1.625	1 5/16-12
835-20	835-20-SS	2.25	1.544	1.28	.250	2.125	1 5/8-12
835-24	835-24-SS	2.75	1.794	1.28	.250	2.500	1 7/8-12
835-32	835-32-SS	3.25	2.419	1.50	.250	3.000	2 1/2-12

- AISI1020 CARBON STEEL
- 316L STAINLESS STEEL
- INCLUDES INDIVIDUAL THREAD IDENTIFICATION MARKING
- ADDITIONAL THREAD SIZES AND CONFIGURATIONS AVAILABLE

*UNF-2B



SAE HALF COUPLING BEVEL						
CARBON STEEL PART NO.	STAINLESS STEEL PART NO.	A	B	C	D	E SAE UN-2B
835B-4	835B-4-SS	.88	.389	1.00	.570	*7/16-20
835B-6	835B-6-SS	1.00	.508	1.00	.690	*9/16-18
835B-8	835B-8-SS	1.25	.689	1.06	.870	*3/4-16
835B-10	835B-10-SS	1.38	.806	1.06	.990	*7/8-14
835B-12	835B-12-SS	1.50	.981	1.28	1.160	1 1/16-12
835B-14	835B-14-SS	1.63	1.106	1.25	1.290	1 3/16-12
835B-16	835B-16-SS	1.75	1.231	1.28	1.410	1 5/16-12
835B-20	835B-20-SS	2.25	1.544	1.28	1.720	1 5/8-12
835B-24	835B-24-SS	2.75	1.794	1.28	1.980	1 7/8-12
835B-32	835B-32-SS	3.25	2.419	1.50	2.600	2 1/2-12

- AISI1020 CARBON STEEL
- 316L STAINLESS STEEL
- INCLUDES INDIVIDUAL THREAD IDENTIFICATION MARKING
- ADDITIONAL THREAD SIZES AND CONFIGURATIONS AVAILABLE

*UNF-2B

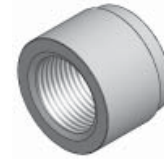
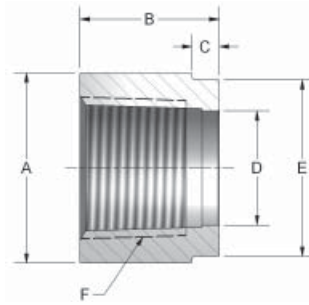
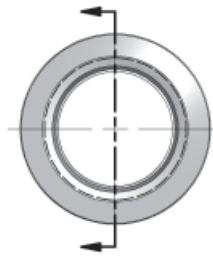
FLOW, NEEDLE & CHECK VALVES

HYDRAULIC BALL VALVES

WELD COUPLINGS

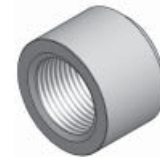
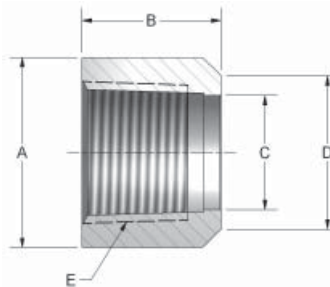
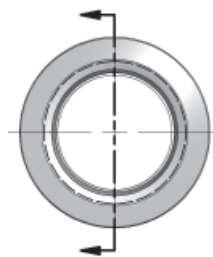
FLANGES

NPTF Half Couplings



NPTF HALF COUPLING							
CARBON STEEL PART NO.	STAINLESS STEEL PART NO.	A	B	C	D	E	F NPTF
845-4	845-4-SS	.88	1.06	.250	.391	.750	1/4-18
845-6	845-6-SS	1.00	1.00	.250	.563	.875	3/8-18
845-8	845-8-SS	1.25	1.06	.250	.650	1.125	1/2-14
845-12	845-12-SS	1.50	1.28	.250	.850	1.375	3/4-14
845-16	845-16-SS	1.75	1.28	.250	1.050	1.625	1-11.5
845-20	845-20-SS	2.25	1.28	.250	1.420	2.125	1 1/4-11.5
845-24	845-24-SS	2.75	1.28	.250	1.560	2.500	1 1/2-11.5
845-32	845-32-SS	3.25	1.50	.250	2.125	3.000	2-11.5

- AISI1020 CARBON STEEL
- 316L STAINLESS STEEL
- INCLUDES INDIVIDUAL THREAD IDENTIFICATION MARKING
- ADDITIONAL THREAD SIZES AND CONFIGURATIONS AVAILABLE



NPTF HALF COUPLING BEVEL						
CARBON STEEL PART NO.	STAINLESS STEEL PART NO.	A	B	C	D	E NPTF
845B-4	845B-4-SS	.88	1.06	.391	.570	1/4-18
845B-6	845B-6-SS	1.00	1.00	.520	.690	3/8-18
845B-8	845B-8-SS	1.25	1.06	.650	.870	1/2-14
845B-12	845B-12-SS	1.50	1.28	.850	1.160	3/4-14
845B-16	845B-16-SS	1.75	1.28	1.050	1.410	1-11.5
845B-20	845B-20-SS	2.25	1.28	1.420	1.720	1 1/4-11.5
845B-24	845B-24-SS	2.75	1.28	1.560	1.980	1 1/2-11.5
845B-32	845B-32-SS	3.25	1.50	2.125	2.600	2-11.5

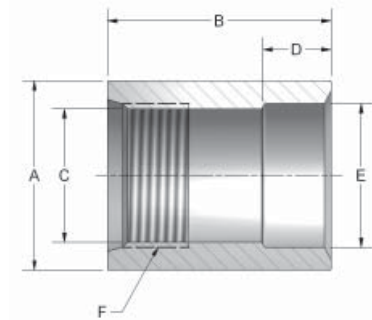
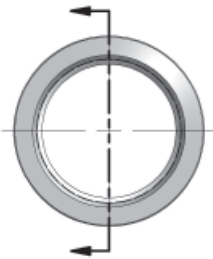
- AISI1020 CARBON STEEL
- 316L STAINLESS STEEL
- INCLUDES INDIVIDUAL THREAD IDENTIFICATION MARKING
- ADDITIONAL THREAD SIZES AND CONFIGURATIONS AVAILABLE

FLOW, NEEDLE & CHECK VALVES

HYDRAULIC BALL VALVES

WELD COUPLINGS

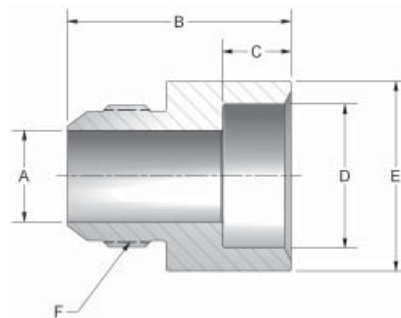
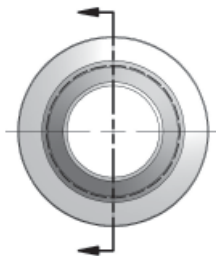
FLANGES



SAE TO SOCKET WELD PIPE COUPLING							
CARBON STEEL PART NO.	STAINLESS STEEL PART NO.	A	B	C	D	E	F SAE UN-2B
820-8	820-8-SS	1.25	1.63	.689	.560	.855	*3/4-16
820-12	820-12-SS	1.50	2.06	.981	.560	1.062	1 1/16-12
820-16	820-16-SS	1.75	2.06	1.231	.630	1.328	1 5/16-12
820-20	820-20-SS	2.25	2.06	1.544	.690	1.672	1 5/8-12
820-24	820-24-SS	2.75	2.20	1.794	.750	1.922	1 7/8-12
820-32	820-32-SS	3.25	2.50	2.419	.875	2.406	2 1/2-12

*UNF-2B

- AISI1020 CARBON STEEL
- 316L STAINLESS STEEL
- INCLUDES INDIVIDUAL THREAD IDENTIFICATION MARKING
- ADDITIONAL THREAD SIZES AND CONFIGURATIONS AVAILABLE



SOCKET WELD PIPE TO MALE JIC COUPLING							
CARBON STEEL PART NO.	STAINLESS STEEL PART NO.	A	B	C	D	E	F SAE UN-2A
840-8	840-8-SS	.394	1.63	.560	.855	1.25	*3/4-16
840-12	840-12-SS	.611	1.89	.560	1.062	1.50	1 1/16-12
840-16	840-16-SS	.844	2.06	.630	1.328	1.75	1 5/16-12
840-20	840-20-SS	1.078	2.06	.690	1.672	2.25	1 5/8-12
840-24	840-24-SS	1.318	2.20	.750	1.922	2.75	1 7/8-12
840-32	840-32-SS	1.781	2.50	.875	2.406	3.25	2 1/2-12

*UNF-2A

- AISI1020 CARBON STEEL
- 316L STAINLESS STEEL
- INCLUDES INDIVIDUAL THREAD IDENTIFICATION MARKING
- ADDITIONAL THREAD SIZES AND CONFIGURATIONS AVAILABLE

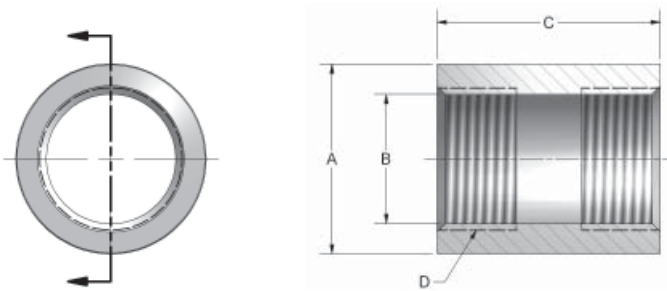
FLOW, NEEDLE & CHECK VALVES

HYDRAULIC BALL VALVES

WELD COUPLINGS

FLANGES

BSPP Full Couplings



BSPP TO BSPP FULL COUPLING					
CARBON STEEL PART NO.	STAINLESS STEEL PART NO.	A	B	C	D BSPP
850-4	850-4-SS	.88	.451	1.25	1/4-19
850-6	850-6-SS	1.00	.589	1.25	3/8-19
850-8	850-8-SS	1.25	.734	1.63	1/2-14
850-12	850-12-SS	1.50	.950	2.06	3/4-14
850-16	850-16-SS	1.75	1.193	2.06	1-11
850-20	850-20-SS	2.25	1.534	2.06	1 1/4-11
850-24	850-24-SS	2.75	1.766	2.20	1 1/2-11
850-32	850-32-SS	3.25	2.231	2.50	2-11

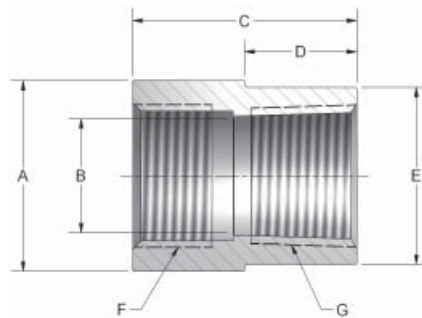
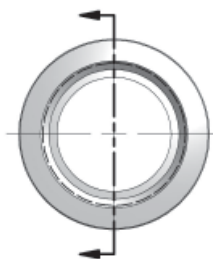
- AISI1020 CARBON STEEL
- 316L STAINLESS STEEL
- INCLUDES INDIVIDUAL THREAD IDENTIFICATION MARKING
- ADDITIONAL THREAD SIZES AND CONFIGURATIONS AVAILABLE

FLOW, NEEDLE & CHECK VALVES

HYDRAULIC BALL VALVES

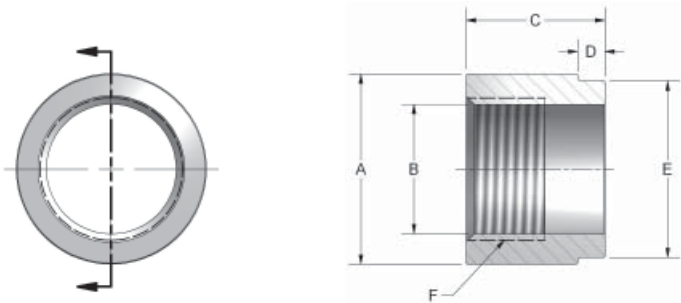
WELD COUPLINGS

FLANGES



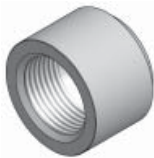
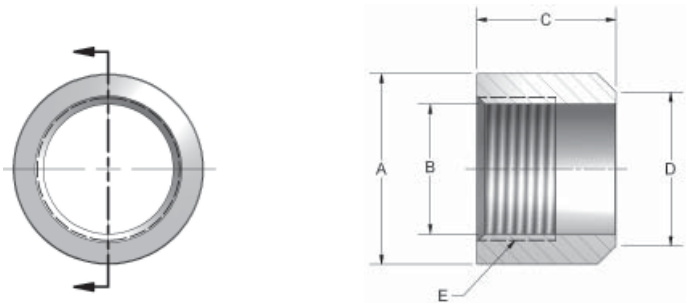
BSPP TO NPTF FULL COUPLING								
CARBON STEEL PART NO.	STAINLESS STEEL PART NO.	A	B	C	D	E	F BSPP	G NPTF
860-4	860-4-SS	1.00	.400	1.27	.64	.875	1/4-19	1/4-18
860-6	860-6-SS	1.13	.507	1.50	.75	1.000	3/8-19	3/8-18
860-8	860-8-SS	1.25	.650	1.63	.82	1.125	1/2-14	1/2-14
860-12	860-12-SS	1.50	.850	2.06	1.03	1.375	3/4-14	3/4-14
860-16	860-16-SS	1.75	1.050	2.06	1.03	1.625	1-11	1-11.5
860-20	860-20-SS	2.25	1.500	2.06	1.03	2.125	1 1/4-11	1 1/4-11.5
860-24	860-24-SS	2.75	1.750	2.20	1.10	2.500	1 1/2-11	1 1/2-11.5
860-32	860-32-SS	3.25	2.125	2.50	1.25	3.000	2-11	2-11.5

- AISI1020 CARBON STEEL
- 316L STAINLESS STEEL
- INCLUDES INDIVIDUAL THREAD IDENTIFICATION MARKING
- ADDITIONAL THREAD SIZES AND CONFIGURATIONS AVAILABLE



BSPP HALF COUPLING							
CARBON STEEL PART NO.	STAINLESS STEEL PART NO.	A	B	C	D	E	F BSPP
855-4	855-4-SS	.88	.451	1.00	.250	.750	1/4-19
855-6	855-6-SS	1.00	.589	1.00	.250	.875	3/8-19
855-8	855-8-SS	1.25	.734	1.06	.250	1.125	1/2-14
855-12	855-12-SS	1.50	.950	1.28	.250	1.375	3/4-14
855-16	855-16-SS	1.75	1.193	1.28	.250	1.625	1-11
855-20	855-20-SS	2.25	1.534	1.28	.250	2.125	1 1/4-11
855-24	855-24-SS	2.75	1.766	1.28	.250	2.500	1 1/2-11
855-32	855-32-SS	3.25	2.231	1.50	.250	3.000	2-11

- AISI1020 CARBON STEEL
- 316L STAINLESS STEEL
- INCLUDES INDIVIDUAL THREAD IDENTIFICATION MARKING
- ADDITIONAL THREAD SIZES AND CONFIGURATIONS AVAILABLE



BSPP HALF COUPLING BEVEL						
CARBON STEEL PART NO.	STAINLESS STEEL PART NO.	A	B	C	D	E BSPP
855B-4	855B-4-SS	.88	.451	1.00	.570	1/4-19
855B-6	855B-6-SS	1.00	.589	1.00	.690	3/8-19
855B-8	855B-8-SS	1.25	.734	1.06	.870	1/2-14
855B-12	855B-12-SS	1.50	.950	1.28	1.160	3/4-14
855B-16	855B-16-SS	1.75	1.193	1.28	1.410	1-11
855B-20	855B-20-SS	2.25	1.534	1.28	1.720	1 1/4-11
855B-24	855B-24-SS	2.75	1.766	1.28	1.980	1 1/2-11
855B-32	855B-32-SS	3.25	2.231	1.50	2.600	2-11

- AISI1020 CARBON STEEL
- 316L STAINLESS STEEL
- INCLUDES INDIVIDUAL THREAD IDENTIFICATION MARKING
- ADDITIONAL THREAD SIZES AND CONFIGURATIONS AVAILABLE

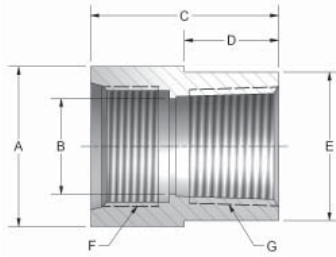
FLOW, NEEDLE & CHECK VALVES

HYDRAULIC BALL VALVES

WELD COUPLINGS

FLANGES

ISO 6149 Metric Couplings



FLOW, NEEDLE & CHECK VALVES

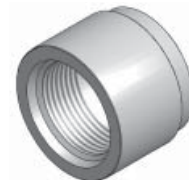
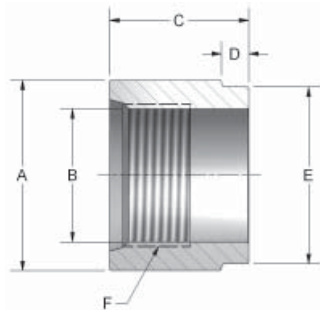
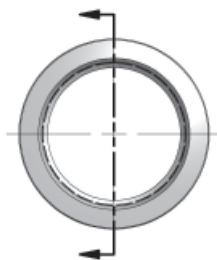
HYDRAULIC BALL VALVES

ISO 6149 TO NPTF FULL COUPLING								
CARBON STEEL PART NO.	STAINLESS STEEL PART NO.	A	B	C	D	E	F ISO 6149 METRIC	G NPTF
885-M27-12	885-M27-12-SS	1.50	.850	2.06	1.03	1.375	M27 X 2	3/4-14
885-M33-16	885-M33-16-SS	1.75	1.050	2.06	1.03	1.625	M33 X 2	1-11.5
885-M42-20	885-M42-20-SS	2.25	1.420	2.06	1.03	2.125	M42 X 2	1 1/4-11.5
885-M48-24	885-M48-24-SS	2.75	1.650	2.20	1.10	2.500	M48 X 2	1 1/2-11.5
885-M60-32	885-M60-32-SS	3.25	2.125	2.50	1.25	3.000	M60 X 2	2-11.5

- AISI1020 CARBON STEEL
- 316L STAINLESS STEEL
- INCLUDES INDIVIDUAL THREAD IDENTIFICATION MARKING
- ADDITIONAL THREAD SIZES AND CONFIGURATIONS AVAILABLE

WELD COUPLINGS

FLANGES

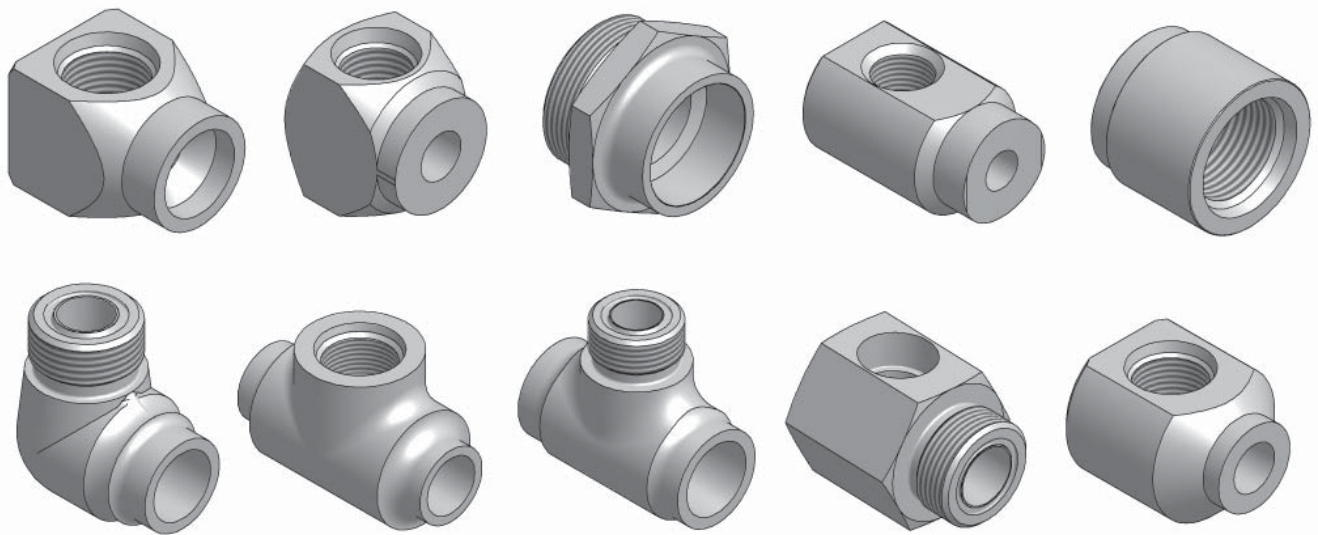


ISO 6149 HALF COUPLING							
CARBON STEEL PART NO.	STAINLESS STEEL PART NO.	A	B	C	D	E	F ISO 6149 METRIC
880-M27	880-M27-SS	1.50	.981	1.28	.250	1.375	M27 X 2
880-M33	880-M33-SS	1.75	1.231	1.28	.250	1.625	M33 X 2
880-M42	880-M42-SS	2.25	1.544	1.28	.250	2.125	M42 X 2
880-M48	880-M48-SS	2.75	1.794	1.28	.250	2.500	M48 X 2
880-M60	880-M60-SS	3.25	2.419	1.50	.250	3.000	M60 X 2

- AISI1020 CARBON STEEL
- 316L STAINLESS STEEL
- INCLUDES INDIVIDUAL THREAD IDENTIFICATION MARKING
- ADDITIONAL THREAD SIZES AND CONFIGURATIONS AVAILABLE

WELD COUPLINGS

IN EVERY POSSIBLE SIZE, SHAPE & CONFIGURATION



Anchor Fluid Power offers a complete line of standard weld couplings for use with OEM products such as hydraulic reservoirs, cylinders, pipe & tube assemblies. A wide variety of thread & radius configurations are available to meet your specific design / dimensional requirements.

Contact Anchor Fluid Power, an ISO 9001:2000 registered company, for all of your custom weld coupling requirements. We also offer warehousing services in order to better meet your ongoing production schedules.

FLOW, NEEDLE & CHECK VALVES

HYDRAULIC BALL VALVES

WELD COUPLINGS

FLANGES



A series of horizontal lines for taking notes, spanning most of the page width.

FLOW, NEEDLE & CHECK VALVES

HYDRAULIC BALL VALVES

WELD COUPLINGS

FLANGES



Lined area for notes

FLOW, NEEDLE & CHECK VALVES

HYDRAULIC BALL VALVES

WELD COUPLINGS

FLANGES



FLANGES



Carbon Steel

SAE J518 SPLIT/CAPTIVE FLANGES

FOR SAE FLANGED HEAD CONNECTION

CD 61 - CD 62 68

SPLIT FLANGE HEAD ADAPTERS

CD 61 - CD 62 JIC THREAD 69

CD 61 - CD 62 SAE STRAIGHT THREAD 69

CD 61 - CD 62 ORFS THREAD 70

CD 61 - CD 62 45° ELBOW JIC THREAD 70

CD 61 - CD 62 45° ELBOW ORFS THREAD 70

CD 61 - CD 62 90° ELBOW JIC THREAD 71

CD 61 - CD 62 90° ELBOW ORFS THREAD 71

CD 61 BUTT WELD-SCHED 40/SCHED 80/SCHED 160 73

CD 62 BUTT WELD-SCHED 80/SCHED 160/SCHED XXS 73

CD 61 - CD 62 SOCKET WELD 74

CD 61 NPTF THREAD 74

CD 61 SAE THREAD 74

CD 61 - CD 62 BRAZE-ON 75

CD 61 - CD 62 FLANGE PLUG 79

SAE 4 BOLT FLANGES

CD 61 - CD 62 SPACER BLOCKS WITH GAGE PORT 82

CD 61 - CD 62 BLANKING 85

CD 61 - CD 62 NPTF 87

CD 61 - CD 62 SAE THREAD 89

CD 61 - CD 62 BSPP THREAD 89

CD 61 - CD 62 MALE JIC 90

CD 61 - CD 62 MALE ORFS 91

CD 61 - CD 62 FLAT SOCKET WELD PIPE 92

CD 61 - CD 62 FLAT SOCKET WELD TUBE 93

CD 61 - CD 62 DEEP SOCKET WELD PIPE 94

CD 61 - CD 62 DEEP SOCKET WELD TUBE 95

CD 61 BUTT WELD-SCHED 40/SCHED 80/SCHED 160 96

CD 62 BUTT WELD-SCHED 80/SCHED 160/SCHED XXS 97

CD 61 SADDLE WELD 98

CD 61 TANK PILOT 99

CD 61 - CD 62 ELBOW NPTF & SAE THREAD 101

CD 61 ELBOW SOCKET WELD PIPE 102

CD 62 ELBOW SOCKET WELD TUBE 103

SQUARE 4 BOLT FLANGES

3000 SERIES FLAT SOCKET WELD 104

3000 SERIES NPTF THREAD 104

6000 SERIES FLAT SOCKET WELD 105

MISCELLANEOUS COMPONENTS

CAT-STYLE SPLIT FLANGE 78

CD 61 - CD 62 BRAZE-ON ORFS THREAD 76

CD 61 - CD 62 BRAZE-ON JIC THREAD 77

CD 61 - CD 62 CONNECTOR PLATES 80

CD 61 - CD 62 CONNECTOR BLOCKS 80

CD 61 - CD 62 DOUBLE O-RING UNION 81

CD 61 - CD 62 ORIFICE PLATE 83

CD 61 - CD 62 BOLT PATTERN ADAPTER 84

CD 61 - CD 62 SHIPPING PLATES 86

CD 61 - CD 62 TEE JUNCTION BLOCK 100

O-RINGS 118

Stainless Steel

SAE J518 SPLIT/CAPTIVE FLANGES

FOR SAE FLANGED HEAD CONNECTION

CD 61 - CD 62 108

SAE 4 BOLT FLANGES

CD 61 - CD 62 NPTF 109

CD 61 - CD 62 SAE THREAD 110

CD 61 - CD 62 FLAT SOCKET 111

CD 61 - CD 62 BLANKING 112

CD 61 BUTT WELD-SCHED 40/SCHED 80/SCHED 160 113

CD 62 BUTT WELD-SCHED 80/SCHED 160/SCHED XXS 114

CD 61 - CODE 62 ELBOW SOCKET WELD 115

SQUARE 4 BOLT FLANGES

3000 SERIES FLAT SOCKET WELD 117

3000 SERIES NPTF THREAD 117

MISCELLANEOUS COMPONENTS

CD 61 - CD 62 TEE JUNCTION BLOCK 116

**THE USE OF STAINLESS STEEL FASTENERS MAY REDUCE THE PRESSURE RATING OF THE ASSEMBLY.*

FLOW, NEEDLE & CHECK VALVES

HYDRAULIC BALL VALVES

WELD COUPLINGS

FLANGES

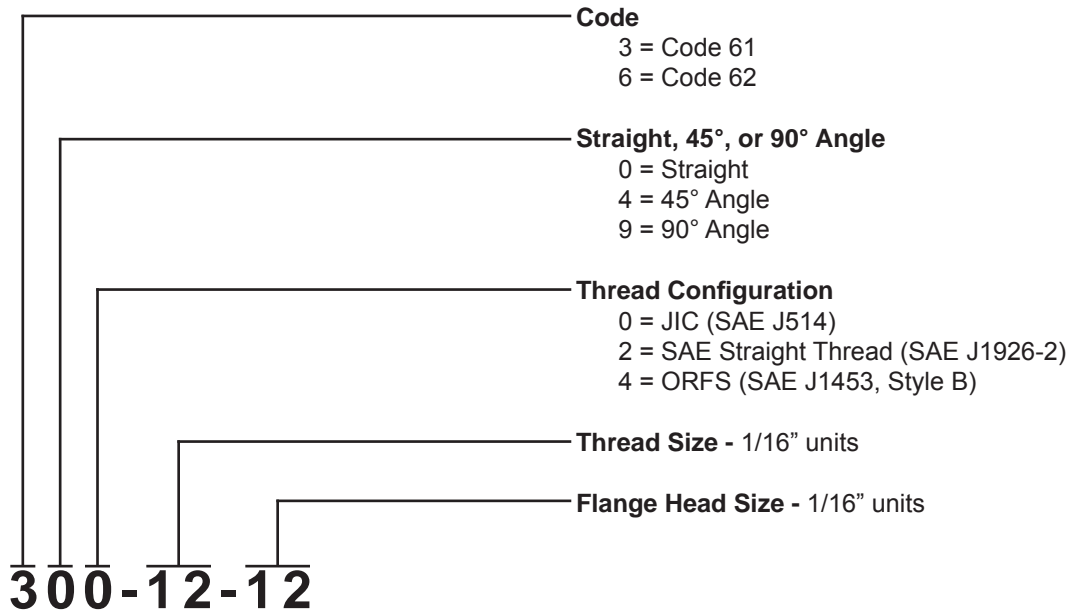
Split Flange Adapters

FLOW, NEEDLE & CHECK VALVES

HYDRAULIC BALL VALVES

WELD COUPLINGS

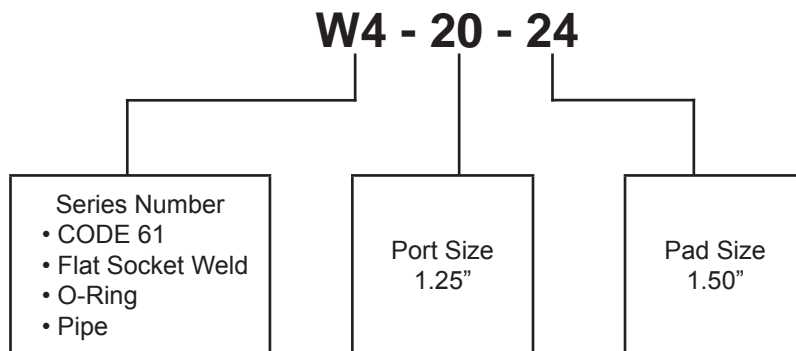
FLANGES



For additional jump sizes, please consult factory.

Flanges

Our basic part numbering system is simple to use. The explanation of our part numbering system is detailed below. The series number provides the greatest amount of information pertaining to the flange product. The port size and pad size simply refer to size only, with all sizes based on 1/16 of an inch.



NOTE #1 – All items available with mounting kit by simply adding suffix letter “U”.

NOTE #2 – All items available in stainless steel material by simply adding the suffix letters “SS”.

NOTE #3 – All items available with metric mounting holes simply by adding the appropriate suffix (IE: M10, M12, etc.).

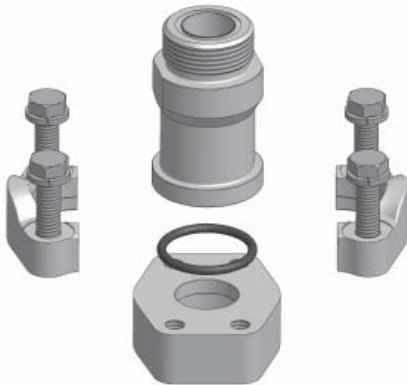
Pressure Ratings of SAE Flanges

CODE 61 SAE J518-1 / ISO 6162-1					
Dash Size	Inch Size	Max Working Pressure		Fastener Torque Value	
		PSI	MPa	Grade 8 UNC (lb-ft)	Grade 10.9 Metric (N-m)
-8	1/2"	5000	35	24	32
-12	3/4"	5000	35	44	70
-16	1"	4600	32	44	70
-20	1 1/4"	4000	28	68	70
-24	1 1/2"	3000	21	111	130
-32	2"	3000	21	111	130
-40	2 1/2"	2500	17.5	111	130
-48	3"	2300	16	218	295
-56	3 1/2"	500	3.5	218	295
-64	4"	500	3.5	218	295
-80	5"	500	3.5	218	295

CODE 62 SAE J518-2 / ISO 6162-2					
Dash Size	Inch Size	Max Working Pressure		Fastener Torque Value	
		PSI	MPa	Grade 8 UNC (lb-ft)	Grade 10.9 Metric (N-m)
-8	1/2"	6000	40	24	32
-12	3/4"	6000	40	44	70
-16	1"	6000	40	68	130
-20	1 1/4"	6000	40	111	130
-24	1 1/2"	6000	40	218	295
-32	2"	6000	40	332	550

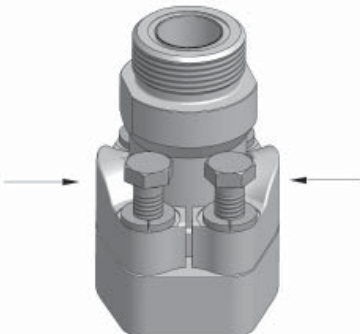
Split Flange Clamp

1 Clean the sealing surfaces and make certain they are free from nicks, scratches and burrs. Foreign material prevents a proper seal.



2 Lubricate the o-ring and ensure that it is properly installed as to prevent damage during installation.

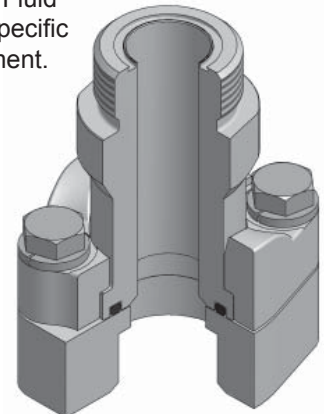
3 Push the flange clamps towards the flange head and screw fasteners into flange pad. Continue to screw the fasteners until their heads just meet the split flange surface.



4 Torque the fasteners in diagonal sequence, in small increments, until final torque level is achieved. Torque values for flange connections listed above. Notice that the torque values vary according to size and fastener type.



Anchor Fluid Power split flange connections are manufactured according to SAE J518-1 and -2, as well as ISO 6162-1 and -2. These standards control dimensions, tolerances and plating. Please note that the above pressure rating chart refers to the flange connection. Adapting the flange to other connections, such as braze tube, welded pipe, or threaded ports / stud ends, could reduce maximum working pressure. Please consult with Anchor Fluid Power for pressure rating specific to your connection requirement.



SAE J518 Split & Captive Flange



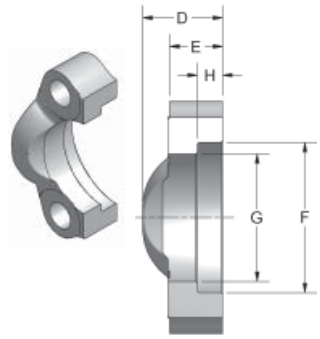
FLOW, NEEDLE & CHECK VALVES

HYDRAULIC BALL VALVES

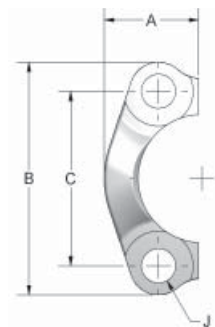
WELD COUPLINGS

FLANGES

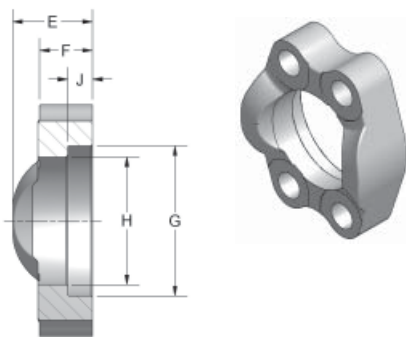
CODE 61 SPLIT FLANGE													
*PART NO.	**KIT PART NO.	FLANGE SIZE	A	B	C	D	E	F	G	H	J	MOUNTING HARDWARE	
												O-RING	HHCS
8SF-2	8SFO	.50	.86	2.12	1.500	.75	.50	1.219	.955	.245	.344	210	5/16-18X1.25
12SF-2	12SFO	.75	.98	2.56	1.875	.88	.56	1.531	1.265	.245	.406	214	3/8-16X1.25
16SF-2	16SFO	1.00	1.11	2.75	2.062	.94	.62	1.781	1.515	.295	.406	219	3/8-16X1.25
20SF-2	20SFO	1.25	1.39	3.12	2.312	.88	.56	2.031	1.720	.295	.469	222	7/16-14X1.50
24SF-2	24SFO	1.50	1.58	3.69	2.750	1.00	.62	2.406	2.000	.295	.531	225	1/2-13X1.50
32SF-2	32SFO	2.00	1.86	4.00	3.062	1.03	.62	2.844	2.470	.355	.531	228	1/2-13X1.50
40SF-2	40SFO	2.50	2.09	4.50	3.500	1.50	.75	3.344	2.950	.355	.531	232	1/2-13X1.75
48SF-2	48SFO	3.00	2.53	5.31	4.188	1.62	.88	4.031	3.580	.355	.656	237	5/8-11X1.75
56SF-2	56SFO	3.50	2.70	6.00	4.750	1.12	.88	4.531	4.030	.422	.656	241	5/8-11X2.00
64SF-2	64SFO	4.00	2.95	6.38	5.125	1.38	1.00	5.031	4.530	.422	.656	245	5/8-11X2.00



CODE 62 SPLIT FLANGE													
*PART NO.	**KIT PART NO.	FLANGE SIZE	A	B	C	D	E	F	G	H	J	MOUNTING HARDWARE	
												O-RING	HHCS
8SFX-2	8SFXO	.50	.89	2.22	1.594	.88	.62	1.281	.970	.285	.344	210	5/16-18X1.25
12SFX-2	12SFXO	.75	1.14	2.81	2.000	1.12	.75	1.656	1.280	.325	.406	214	3/8-16X1.50
16SFX-2	16SFXO	1.00	1.33	3.19	2.250	1.31	.94	1.906	1.530	.355	.469	219	7/16-14X1.75
20SFX-2	20SFXO	1.25	1.48	3.75	2.625	1.50	1.06	2.156	1.750	.385	.531	222	1/2-13X1.75
24SFX-2	24SFXO	1.50	1.83	4.44	3.125	1.69	1.19	2.531	2.030	.475	.656	225	5/8-11X2.25
32SFX-2	32SFXO	2.00	2.20	5.25	3.812	2.06	1.44	3.156	2.660	.475	.781	228	3/4-10X2.75



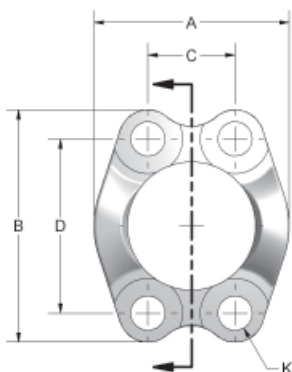
*ANCHOR PART # INCLUDES: (1) SPLIT FLANGE HALF ONLY
 **KIT PART # INCLUDES: (2) SPLIT FLANGE HALVES, (4) HEX HEAD SCREWS WITH LOCKWASHERS, AND (1) BUNA N O-RING
 NOTE: SPLIT FLANGE HALVES ARE SILVER TRIVALENT PLATED

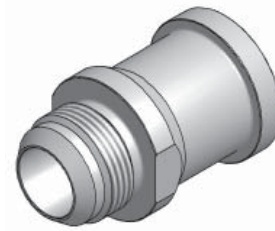
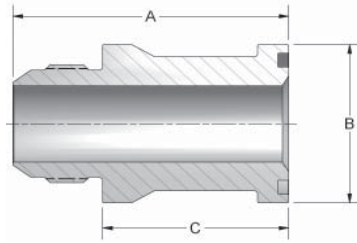


CODE 61 CAPTIVE FLANGE														
DRILLED PART NO.	TAPPED PART NO.	FLANGE SIZE	A	B	C	D	E	F	G	H	J	K	K UNC-2B	
8SFW	8SFTW	.50	1.81	2.12	.688	1.500	.75	.50	1.219	.955	.245	.344	5/16-18	
12SFW	12SFTW	.75	2.06	2.56	.875	1.875	.88	.56	1.531	1.265	.245	.406	3/8-16	
16SFW	16SFTW	1.00	2.31	2.75	1.031	2.062	.94	.62	1.781	1.515	.295	.406	3/8-16	
20SFW	20SFTW	1.25	2.88	3.12	1.188	2.312	.88	.56	2.031	1.720	.295	.469	7/16-14	
24SFW	24SFTW	1.50	3.25	3.69	1.406	2.750	1.00	.62	2.406	2.000	.295	.531	1/2-13	
32SFW	32SFTW	2.00	3.81	4.00	1.688	3.062	1.03	.62	2.844	2.470	.355	.531	1/2-13	
40SFW	40SFTW	2.50	4.28	4.50	2.000	3.500	1.50	.75	3.344	2.950	.355	.531	1/2-13	
48SFW	48SFTW	3.00	5.16	5.31	2.438	4.188	1.62	.88	4.031	3.580	.355	.656	5/8-11	
56SFW	56SFTW	3.50	5.50	6.00	2.750	4.750	1.12	.88	4.531	4.030	.422	.656	5/8-11	
64SFW	64SFTW	4.00	6.00	6.38	3.062	5.125	1.38	1.00	5.031	4.530	.422	.656	5/8-11	

CODE 62 CAPTIVE FLANGE														
DRILLED PART NO.	TAPPED PART NO.	FLANGE SIZE	A	B	C	D	E	F	G	H	J	K	K UNC-2B	
8SFXW	8SFXTW	.50	1.86	2.22	.718	1.594	.88	.62	1.281	.970	.285	.344	5/16-18	
12SFXW	12SFXTW	.75	2.38	2.81	.937	2.000	1.12	.75	1.656	1.280	.325	.406	3/8-16	
16SFXW	16SFXTW	1.00	2.75	3.19	1.093	2.250	1.31	.94	1.906	1.530	.355	.469	7/16-14	
20SFXW	20SFXTW	1.25	3.06	3.75	1.250	2.625	1.50	1.06	2.156	1.750	.385	.531	1/2-13	
24SFXW	24SFXTW	1.50	3.75	4.44	1.437	3.125	1.69	1.19	2.531	2.030	.475	.656	5/8-11	
32SFXW	32SFXTW	2.00	4.50	5.25	1.750	3.812	2.06	1.44	3.156	2.660	.475	.781	3/4-10	

NOTE: CAPTIVE FLANGES HAVE NATURAL FINISH

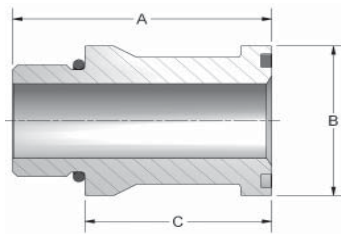




CODE 61 JIC THREAD						
PART NO.	TUBE O.D.	FLANGE SIZE	A	B	C	THREAD
300-8-8	1/2	1/2	2.60	1.188	1.94	3/4-16
300-8-12	1/2	3/4	2.75	1.500	2.09	3/4-16
300-12-12	3/4	3/4	2.75	1.500	1.89	1 1/16-12
300-16-12	1	3/4	2.75	1.500	1.84	1 5/16-12
300-12-16	3/4	1	2.80	1.750	1.94	1 1/16-12
300-16-16	1	1	2.80	1.750	1.89	1 5/16-12
300-20-16	1 1/4	1	2.80	1.750	1.84	1 5/8-12
300-16-20	1	1 1/4	2.80	2.000	1.89	1 5/8-12
300-20-20	1 1/4	1 1/4	2.80	2.000	1.84	1 5/8-12
300-24-20	1 1/2	1 1/4	3.40	2.000	2.32	1 7/8-12
300-20-24	1 1/4	1 1/2	3.38	2.375	2.42	1 5/8-12
300-24-24	1 1/2	1 1/2	3.50	2.375	2.42	1 7/8-12
300-32-24	2	1 1/2	4.20	2.375	2.87	2 1/2-12
300-24-32	1 1/2	2	3.73	2.812	2.64	1 7/8-12
300-32-32	2	2	3.98	2.812	2.64	2 1/2-12

CODE 62 JIC THREAD						
PART NO.	TUBE O.D.	FLANGE SIZE	A	B	C	THREAD
600-8-8	1/2	1/2	2.61	1.250	1.95	3/4-16
600-12-12	3/4	3/4	2.75	1.625	1.89	1 1/16-12
600-16-12	1	3/4	2.75	1.625	1.84	1 5/16-12
600-12-16	3/4	1	2.80	1.875	1.94	1 1/16-12
600-16-16	1	1	2.80	1.875	1.89	1 5/16-12
600-20-16	1 1/4	1	2.80	1.875	1.84	1 5/8-12
600-16-20	1	1 1/4	3.05	2.125	2.14	1 5/16-12
600-20-20	1 1/4	1 1/4	3.05	2.125	2.09	1 5/8-12
600-24-20	1 1/2	1 1/4	3.30	2.125	2.22	1 7/8-12
600-20-24	1 1/4	1 1/2	3.50	2.500	2.54	1 5/8-12
600-24-24	1 1/2	1 1/2	3.50	2.500	2.42	1 7/8-12
600-32-24	2	1 1/2	4.49	2.500	3.61	2 1/2-12
600-24-32	1 1/2	2	3.98	3.125	2.89	1 7/8-12
600-32-32	2	2	4.23	3.125	2.89	2 1/2-12

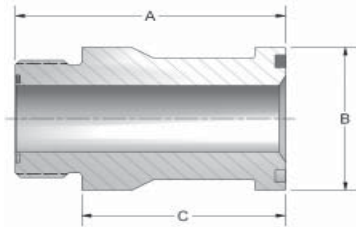
SAE Straight Thread



CODE 61 SAE STRAIGHT THREAD						
PART NO.	TUBE O.D.	FLANGE SIZE	A	B	C	THREAD
302-8-8	1/2	1/2	2.49	1.188	1.94	3/4-16
302-12-12	3/4	3/4	2.61	1.500	1.89	1 1/16-12
302-16-12	1	3/4	2.88	1.500	2.16	1 5/16-12
302-12-16	3/4	1	2.74	1.750	2.02	1 1/16-12
302-16-16	1	1	2.61	1.750	1.89	1 5/16-12
302-20-16	1 1/4	1	3.13	1.750	2.41	1 5/8-12
302-16-20	1	1 1/4	2.74	2.000	2.02	1 5/16-12
302-20-20	1 1/4	1 1/4	3.13	2.000	2.41	1 5/8-12
302-24-20	1 1/2	1 1/4	3.43	2.000	2.71	1 7/8-12
302-20-24	1 1/4	1 1/2	3.30	2.375	2.58	1 5/8-12
302-24-24	1 1/2	1 1/2	3.14	2.375	2.42	1 7/8-12
302-32-24	2	1 1/2	3.63	2.375	2.91	2 1/2-12
302-24-32	1 1/2	2	3.79	2.812	3.07	1 7/8-12
302-32-32	2	2	3.63	2.812	2.91	2 1/2-12

CODE 62 SAE STRAIGHT THREAD						
PART NO.	TUBE O.D.	FLANGE SIZE	A	B	C	THREAD
602-8-8	1/2	1/2	2.50	1.250	1.95	3/4-16
602-12-12	3/4	3/4	2.62	1.625	1.89	1 1/16-12
602-16-12	1	3/4	2.88	1.625	2.15	1 5/16-12
602-12-16	3/4	1	2.75	1.875	2.02	1 1/16-12
602-16-16	1	1	2.62	1.875	1.89	1 5/16-12
602-20-16	1 1/4	1	3.44	1.875	2.71	1 5/8-12
602-16-20	1	1 1/4	3.12	2.125	2.39	1 5/16-12
602-20-20	1 1/4	1 1/4	3.00	2.125	2.27	1 5/8-12
602-24-20	1 1/2	1 1/4	3.44	2.125	2.71	1 7/8-12
602-20-24	1 1/4	1 1/2	3.31	2.500	2.58	1 5/8-12
602-24-24	1 1/2	1 1/2	3.19	2.500	2.46	1 7/8-12
602-32-24	2	1 1/2	4.34	2.500	3.61	2 1/2-12
602-24-32	1 1/2	2	3.90	3.125	3.17	1 7/8-12
602-32-32	2	2	3.75	3.125	3.02	2 1/2-12

ORFS Thread



CODE 61 ORFS THREAD						
PART NO.	TUBE O.D.	FLANGE SIZE	A	B	C	THREAD
304-8-8	1/2	1/2	2.45	1.188	1.94	13/16-16
304-12-12	3/4	3/4	2.75	1.500	2.08	1 3/16-12
304-16-12	1	3/4	2.75	1.500	2.06	1 7/16-12
304-12-16	3/4	1	2.80	1.750	2.13	1 3/16-12
304-16-16	1	1	2.80	1.750	2.11	1 7/16-12
304-20-16	1 1/4	1	2.80	1.750	2.11	1 11/16-12
304-16-20	1	1 1/4	2.80	2.000	2.11	1 7/16-12
304-20-20	1 1/4	1 1/4	2.80	2.000	2.11	1 11/16-12
304-24-20	1 1/2	1 1/4	3.20	2.000	2.51	2-12
304-20-24	1 1/4	1 1/2	3.50	2.375	2.81	1 11/16-12
304-24-24	1 1/2	1 1/2	3.50	2.375	2.81	2-12
304-24-32	1 1/2	2	3.33	2.812	2.64	2-12

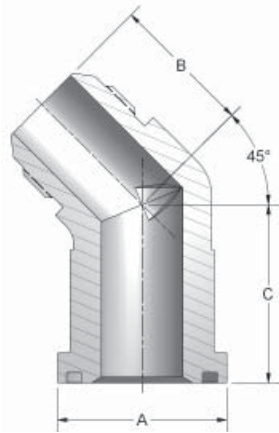
CODE 62 ORFS THREAD						
PART NO.	TUBE O.D.	FLANGE SIZE	A	B	C	THREAD
604-8-8	1/2	1/2	2.58	1.250	2.08	13/16-16
604-12-12	3/4	3/4	2.75	1.625	2.08	1 3/16-12
604-16-12	1	3/4	2.75	1.625	2.06	1 7/16-12
604-12-16	3/4	1	2.80	1.875	2.13	1 3/16-12
604-16-16	1	1	2.80	1.875	2.11	1 7/16-12
604-20-16	1 1/4	1	3.20	1.875	2.51	1 11/16-12
604-16-20	1	1 1/4	3.05	2.125	2.36	1 7/16-12
604-20-20	1 1/4	1 1/4	3.05	2.125	2.36	1 11/16-12
604-24-20	1 1/2	1 1/4	3.30	2.125	2.61	2-12
604-20-24	1 1/4	1 1/2	3.50	2.500	2.81	1 11/16-12
604-24-24	1 1/2	1 1/2	3.50	2.500	2.81	2-12
604-24-32	1 1/2	2	3.58	3.125	2.89	2-12

FLOW, NEEDLE & CHECK VALVES

HYDRAULIC BALL VALVES

WELD COUPLINGS

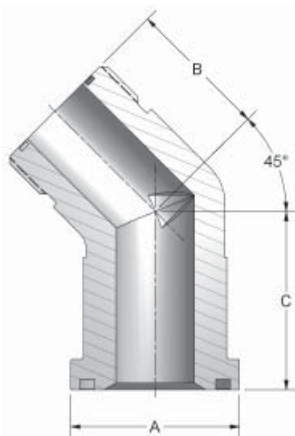
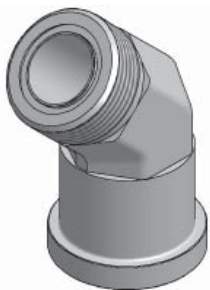
45° JIC Thread



CODE 61 45° JIC THREAD						
PART NO.	TUBE O.D.	FLANGE SIZE	A	B	C	THREAD
340-12-12	3/4	3/4	1.500	1.28	1.58	1 1/16-12
340-16-16	1	1	1.750	1.47	1.85	1 5/16-12
340-20-20	1 1/4	1 1/4	2.000	1.59	2.04	1 5/8-12
340-24-24	1 1/2	1 1/2	2.375	1.78	2.38	1 7/8-12
340-32-32	2	2	2.812	2.22	3.00	2 1/2-12

CODE 62 45° JIC THREAD						
PART NO.	TUBE O.D.	FLANGE SIZE	A	B	C	THREAD
640-12-12	3/4	3/4	1.625	1.28	1.58	1 1/16-12
640-16-16	1	1	1.875	1.47	1.85	1 5/16-12
640-20-20	1 1/4	1 1/4	2.125	1.59	2.04	1 5/8-12
640-24-24	1 1/2	1 1/2	2.500	1.78	2.38	1 7/8-12
640-32-32	2	2	3.125	2.22	3.00	2 1/2-12

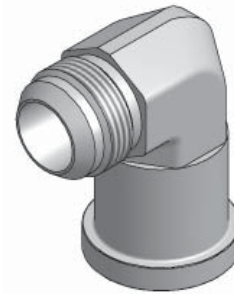
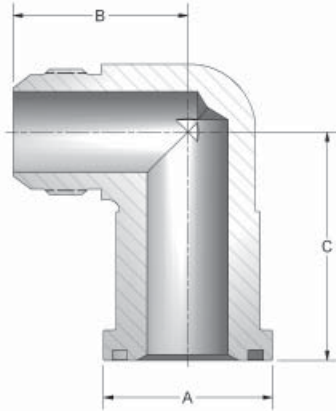
45° ORFS Thread



CODE 61 45° ORFS THREAD						
PART NO.	TUBE O.D.	FLANGE SIZE	A	B	C	THREAD
344-12-12	3/4	3/4	1.500	1.28	1.58	1 3/16-12
344-16-16	1	1	1.750	1.47	1.85	1 7/16-12
344-20-20	1 1/4	1 1/4	2.000	1.59	2.04	1 11/16-12
344-24-24	1 1/2	1 1/2	2.375	1.78	2.38	2-12

CODE 62 45° ORFS THREAD						
PART NO.	TUBE O.D.	FLANGE SIZE	A	B	C	THREAD
644-12-12	3/4	3/4	1.625	1.28	1.58	1 3/16-12
644-16-16	1	1	1.875	1.47	1.85	1 7/16-12
644-20-20	1 1/4	1 1/4	2.125	1.59	2.04	1 11/16-12
644-24-24	1 1/2	1 1/2	2.500	1.78	2.38	2-12

FLANGES



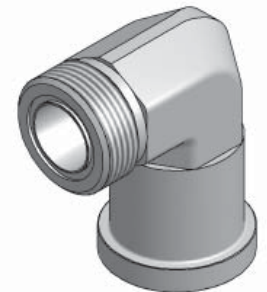
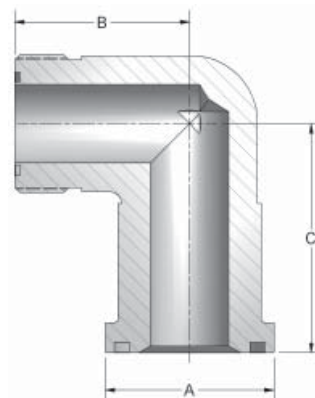
CODE 61 90° JIC THREAD						
PART NO.	TUBE O.D.	FLANGE SIZE	A	B	C	THREAD
390-8-12	1/2	3/4	1.500	1.66	2.13	3/4-16
390-12-12	3/4	3/4	1.500	1.66	2.13	1 1/16-12
390-16-12	1	3/4	1.500	1.66	2.13	1 5/16-12
390-12-16	3/4	1	1.750	1.81	2.37	1 1/16-12
390-16-16	1	1	1.750	1.81	2.37	1 5/16-12
390-20-16	1 1/4	1	1.750	1.81	2.37	1 5/8-12
390-16-20	1	1 1/4	2.000	2.06	2.62	1 5/16-12
390-20-20	1 1/4	1 1/4	2.000	2.06	2.62	1 5/8-12
390-20-24	1 1/4	1 1/2	2.375	2.33	3.15	1 5/8-12
390-24-24	1 1/2	1 1/2	2.375	2.33	3.15	1 7/8-12
390-32-24	2	1 1/2	2.375	2.33	3.15	2 1/2-12
390-24-32	1 1/2	2	2.812	3.06	4.25	1 7/8-12
390-32-32	2	2	2.812	3.06	4.25	2 1/2-12

CODE 62 90° JIC THREAD						
PART NO.	TUBE O.D.	FLANGE SIZE	A	B	C	THREAD
690-8-8	1/2	1/2	1.250	1.66	2.13	3/4-16
690-8-12	1/2	3/4	1.625	1.66	2.13	3/4-16
690-12-12	3/4	3/4	1.625	1.66	2.13	1 1/16-12
690-16-12	1	3/4	1.625	1.66	2.13	1 5/16-12
690-12-16	3/4	1	1.875	1.81	2.37	1 1/16-12
690-16-16	1	1	1.875	1.81	2.37	1 5/16-12
690-20-16	1 1/4	1	1.875	1.81	2.37	1 5/8-12
690-16-20	1	1 1/4	2.125	2.06	2.76	1 5/16-12
690-20-20	1 1/4	1 1/4	2.125	2.06	2.76	1 5/8-12
690-24-20	1 1/2	1 1/4	2.125	2.19	2.76	1 7/8-12
690-20-24	1 1/4	1 1/2	2.500	2.33	3.15	1 5/8-12
690-24-24	1 1/2	1 1/2	2.500	2.33	3.15	1 7/8-12
690-32-24	2	1 1/2	2.500	3.06	4.25	2 1/2-12
690-24-32	1 1/2	2	3.125	3.06	4.25	1 7/8-12
690-32-32	2	2	3.125	3.06	4.25	2 1/2-12

90° ORFS Thread

CODE 61 90° ORFS THREAD						
PART NO.	TUBE O.D.	FLANGE SIZE	A	B	C	THREAD
394-12-12	3/4	3/4	1.500	1.66	2.13	1 3/16-12
394-16-12	1	3/4	1.500	1.66	2.13	1 7/16-12
394-12-16	3/4	1	1.750	1.81	2.37	1 3/16-12
394-16-16	1	1	1.750	1.81	2.37	1 7/16-12
394-20-16	1 1/4	1	1.750	1.81	2.37	1 11/16-12
394-16-20	1	1 1/4	2.000	2.06	2.62	1 7/16-12
394-20-20	1 1/4	1 1/4	2.000	2.06	2.62	1 11/16-12
394-24-20	1 1/2	1 1/4	2.000	2.06	2.62	2-12
394-20-24	1 1/4	1 1/2	2.375	2.33	3.15	1 11/16-12
394-24-24	1 1/2	1 1/2	2.375	2.33	3.15	2-12

CODE 62 90° ORFS THREAD						
PART NO.	TUBE O.D.	FLANGE SIZE	A	B	C	THREAD
694-12-12	3/4	3/4	1.625	1.66	2.13	1 3/16-12
694-16-12	1	3/4	1.625	1.66	2.13	1 7/16-12
694-12-16	3/4	1	1.875	1.81	2.37	1 3/16-12
694-16-16	1	1	1.875	1.81	2.37	1 7/16-12
694-20-16	1 1/4	1	1.875	1.81	2.37	1 11/16-12
694-16-20	1	1 1/4	2.125	2.06	2.76	1 7/16-12
694-20-20	1 1/4	1 1/4	2.125	2.06	2.76	1 11/16-12
694-24-20	1 1/2	1 1/4	2.125	2.06	2.76	2-12
694-20-24	1 1/4	1 1/2	2.500	2.33	3.15	1 11/16-12
694-24-24	1 1/2	1 1/2	2.500	2.33	3.15	2-12



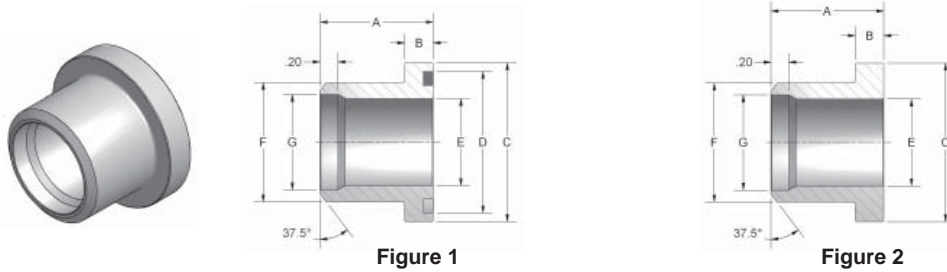
FLOW, NEEDLE & CHECK VALVES

HYDRAULIC BALL VALVES

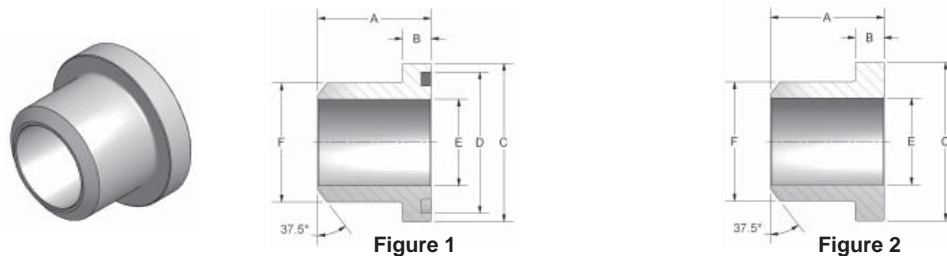
WELD COUPLINGS

FLANGES

Butt Weld Flange Head



CODE 61 BUTT WELD TO FLANGE HEAD FOR SCHEDULE 40 PIPE										
PART NO. O-RING FIG. 1	PART NO. FLAT FACE FIG. 2	PIPE SIZE	CLAMP SIZE	A	B	C	D	E	F	G
8P-8BWSF-40	8P-8BWSFN-40	.50	.50	1.06	.265	1.188	1.000	.548	.840	.624
12P-12BWSF-40	12P-12BWSFN-40	.75	.75	1.06	.265	1.500	1.250	.744	1.050	.826
16P-16BWSF-40	16P-16BWSFN-40	1.00	1.00	1.25	.315	1.750	1.560	.959	1.315	1.051
20P-20BWSF-40	20P-20BWSFN-40	1.25	1.25	1.44	.315	2.000	1.750	1.280	1.660	1.382
24P-24BWSF-40	24P-24BWSFN-40	1.50	1.50	1.75	.315	2.375	2.115	1.502	1.900	1.612
32P-32BWSF-40	32P-32BWSFN-40	2.00	2.00	2.00	.375	2.812	2.490	1.941	2.375	2.069
40P-40BWSF-40	40P-40BWSFN-40	2.50	2.50	2.31	.375	3.312	2.995	2.325	2.875	2.471
48P-48BWSF-40	48P-48BWSFN-40	3.00	3.00	2.31	.375	4.000	3.615	2.902	3.500	3.070



CODE 61 BUTT WELD TO FLANGE HEAD FOR SCHEDULE 80 PIPE									
PART NO. O-RING FIG. 1	PART NO. FLAT FACE FIG. 2	PIPE SIZE	CLAMP SIZE	A	B	C	D	E	F
8P-8BWSF-80	8P-8BWSFN-80	.50	.50	1.06	.265	1.188	1.000	.548	.840
12P-12BWSF-80	12P-12BWSFN-80	.75	.75	1.06	.265	1.500	1.250	.744	1.050
16P-16BWSF-80	16P-16BWSFN-80	1.00	1.00	1.25	.315	1.750	1.560	.959	1.315
20P-20BWSF-80	20P-20BWSFN-80	1.25	1.25	1.44	.315	2.000	1.750	1.280	1.660
24P-24BWSF-80	24P-24BWSFN-80	1.50	1.50	1.75	.315	2.375	2.115	1.502	1.900
32P-32BWSF-80	32P-32BWSFN-80	2.00	2.00	2.00	.375	2.812	2.490	1.941	2.375
40P-40BWSF-80	40P-40BWSFN-80	2.50	2.50	2.31	.375	3.312	2.995	2.325	2.875
48P-48BWSF-80	48P-48BWSFN-80	3.00	3.00	2.31	.375	4.000	3.615	2.902	3.500

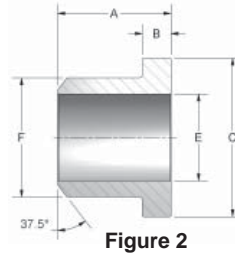
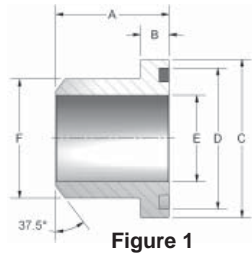
CODE 61 BUTT WELD TO FLANGE HEAD FOR SCHEDULE 160 PIPE									
PART NO. O-RING FIG. 1	PART NO. FLAT FACE FIG. 2	PIPE SIZE	CLAMP SIZE	A	B	C	D	E	F
8P-8BWSF-160	8P-8BWSFN-160	.50	.50	1.06	.265	1.188	1.000	.464	.840
12P-12BWSF-160	12P-12BWSFN-160	.75	.75	1.06	.265	1.500	1.250	.612	1.050
16P-16BWSF-160	16P-16BWSFN-160	1.00	1.00	1.25	.315	1.750	1.560	.815	1.315
20P-20BWSF-160	20P-20BWSFN-160	1.25	1.25	1.44	.315	2.000	1.750	1.160	1.660
24P-24BWSF-160	24P-24BWSFN-160	1.50	1.50	1.75	.315	2.375	2.115	1.338	1.900
32P-32BWSF-160	32P-32BWSFN-160	2.00	2.00	2.00	.375	2.812	2.490	1.687	2.375
40P-40BWSF-160	40P-40BWSFN-160	2.50	2.50	2.31	.375	3.312	2.995	2.125	2.875
48P-40BWSF-160	48P-40BWSFN-160	3.00	3.00	2.31	.375	4.000	3.615	2.624	3.500

FLOW, NEEDLE & CHECK VALVES

HYDRAULIC BALL VALVES

WELD COUPLINGS

FLANGES



CODE 62 BUTT WELD TO FLANGE HEAD FOR SCHEDULE 80 PIPE									
PART NO. O-RING FIG. 1	PART NO. FLAT FACE FIG. 2	PIPE SIZE	CLAMP SIZE	A	B	C	D	E	F
8P-8BWSFX-80	8P-8BWSFXN-80	.50	.50	1.10	.305	1.250	1.000	.548	.840
12P-12BWSFX-80	12P-12BWSFXN-80	.75	.75	1.42	.345	1.625	1.250	.744	1.050
16P-16BWSFX-80	16P-16BWSFXN-80	1.00	1.00	1.61	.375	1.875	1.560	.959	1.315
20P-20BWSFX-80	20P-20BWSFXN-80	1.25	1.25	1.73	.405	2.125	1.750	1.280	1.660
24P-24BWSFX-80	24P-24BWSFXN-80	1.50	1.50	2.17	.495	2.500	2.115	1.502	1.900
32P-32BWSFX-80	32P-32BWSFXN-80	2.00	2.00	2.48	.495	3.125	2.490	1.941	2.375

CODE 62 BUTT WELD TO FLANGE HEAD FOR SCHEDULE 160 PIPE									
PART NO. O-RING FIG. 1	PART NO. FLAT FACE FIG. 2	PIPE SIZE	CLAMP SIZE	A	B	C	D	E	F
8P-8BWSFX-160	8P-8BWSFXN-160	.50	.50	1.10	.305	1.250	1.000	.464	.840
12P-12BWSFX-160	12P-12BWSFXN-160	.75	.75	1.42	.345	1.625	1.250	.612	1.050
16P-16BWSFX-160	16P-16BWSFXN-160	1.00	1.00	1.61	.375	1.875	1.560	.815	1.315
20P-20BWSFX-160	20P-20BWSFXN-160	1.25	1.25	1.73	.405	2.125	1.750	1.160	1.660
24P-24BWSFX-160	24P-24BWSFXN-160	1.50	1.50	2.17	.495	2.500	2.115	1.338	1.900
32P-32BWSFX-160	32P-32BWSFXN-160	2.00	2.00	2.48	.495	3.125	2.490	1.687	2.375

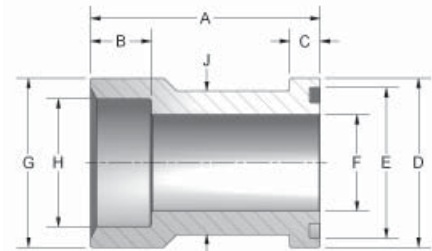
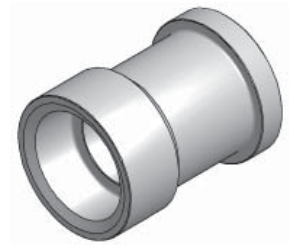
CODE 62 BUTT WELD TO FLANGE HEAD FOR SCHEDULE XXS PIPE									
PART NO. O-RING FIG. 1	PART NO. FLAT FACE FIG. 2	PIPE SIZE	CLAMP SIZE	A	B	C	D	E	F
8P-8BWSFX-XXS	8P-8BWSFXN-XXS	.50	.50	1.10	.305	1.250	1.000	.252	.840
12P-12BWSFX-XXS	12P-12BWSFXN-XXS	.75	.75	1.42	.345	1.625	1.250	.434	1.050
16P-16BWSFX-XXS	16P-16BWSFXN-XXS	1.00	1.00	1.61	.375	1.875	1.560	.599	1.315
20P-20BWSFX-XXS	20P-20BWSFXN-XXS	1.25	1.25	1.73	.405	2.125	1.750	.896	1.660
24P-24BWSFX-XXS	24P-24BWSFXN-XXS	1.50	1.50	2.17	.495	2.500	2.115	1.100	1.900
32P-32BWSFX-XXS	32P-32BWSFXN-XXS	2.00	2.00	2.48	.495	3.125	2.490	1.503	2.375

Female Flange Head Adapter



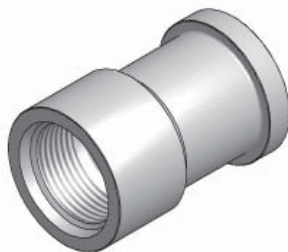
CODE 61 SOCKET WELD TO FLANGE HEAD FOR PIPE

PART NO.	PIPE SIZE	CLAMP SIZE	A	B	C	D	E	F	G	H	J
8P-8WSF	.50	.50	2.34	.56	.265	1.187	1.000	.500	1.25	.855	.924
12P-12WSF	.75	.75	2.34	.56	.265	1.500	1.250	.750	1.50	1.062	1.234
16P-16WSF	1.00	1.00	2.38	.63	.315	1.750	1.560	1.000	1.75	1.328	1.484
20P-20WSF	1.25	1.25	2.62	.68	.315	2.000	1.750	1.250	2.00	1.672	1.684
24P-24WSF	1.50	1.50	2.88	.76	.315	2.375	2.115	1.500	2.38	1.922	1.964
32P-32WSF	2.00	2.00	3.00	.88	.375	2.812	2.490	2.000	2.81	2.406	2.434
40P-40WSF	2.50	2.50	3.06	1.00	.375	3.312	2.995	2.500	3.31	2.906	2.920
48P-48WSF	3.00	3.00	3.88	1.25	.375	4.000	3.615	2.875	4.00	3.547	3.534



CODE 62 SOCKET WELD TO FLANGE HEAD FOR PIPE

PART NO.	PIPE SIZE	CLAMP SIZE	A	B	C	D	E	F	G	H	J
W53-12-12	.75	.75	2.75	.630	.345	1.625	1.250	.750	1.750	1.062	1.234
W53-16-16	1.00	1.00	3.06	.630	.375	1.875	1.560	1.000	2.000	1.328	1.484
W53-20-20	1.25	1.25	3.31	.690	.405	2.125	1.750	1.125	2.312	1.672	1.704
W53-24-24	1.50	1.50	3.93	.750	.495	2.500	2.115	1.375	2.750	1.922	1.984
W53-32-32	2.00	2.00	4.06	.880	.495	3.125	2.490	1.875	3.125	2.406	2.604

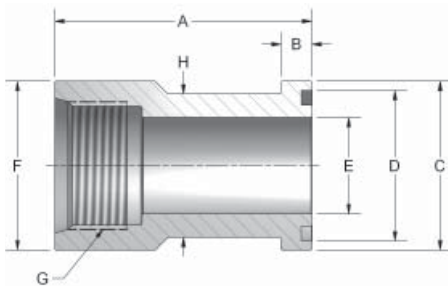


CODE 61 NPTF THREAD TO FLANGE HEAD

PART NO.	PIPE SIZE	CLAMP SIZE	A	B	C	D	E	F	G NPTF	H
12F-12FO	.75	.75	2.47	.265	1.500	1.250	.75	1.50	.75	1.234
16F-16FO	1.00	1.00	2.66	.315	1.750	1.560	1.00	1.75	1.00	1.484
20F-20FO	1.25	1.25	2.84	.315	2.000	1.750	1.25	2.00	1.25	1.684
24F-24FO	1.50	1.50	3.00	.315	2.375	2.115	1.50	2.38	1.50	1.964
32F-32FO	2.00	2.00	3.00	.375	2.812	2.490	2.00	2.81	2.00	2.434

CODE 61 SAE THREAD TO FLANGE HEAD

PART NO.	TUBE SIZE	CLAMP SIZE	A	B	C	D	E	F	G UN-2B	H
12S-12FO	.75	.75	2.47	.265	1.500	1.250	.75	1.50	1 1/16-12	1.234
16S-16FO	1.00	1.00	2.66	.315	1.750	1.560	1.00	1.75	1 5/16-12	1.484
20S-20FO	1.25	1.25	2.84	.315	2.000	1.750	1.25	2.00	1 5/8-12	1.684
24S-24FO	1.50	1.50	3.00	.315	2.375	2.115	1.50	2.38	1 7/8-12	1.964
32S-32FO	2.00	2.00	3.00	.375	2.812	2.490	2.00	2.81	2 1/2-12	2.434



FLOW, NEEDLE & CHECK VALVES

HYDRAULIC BALL VALVES

WELD COUPLINGS

FLANGES

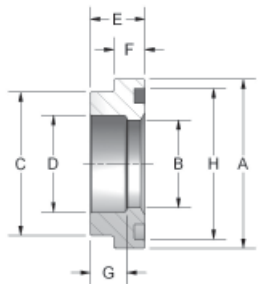


Figure 1

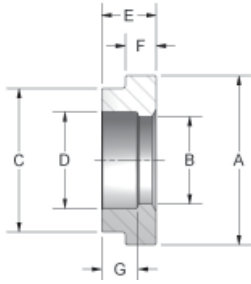


Figure 2

*For sizes not listed, please consult factory.

CODE 61 TUBE FLANGE HEAD FITTING											
PART NO. O-RING FIG. 1	PART NO. FLAT FACE FIG. 2	TUBE SIZE	FLANGE SIZE	A	B	C	D	E	F	G	H
8T-8SF	8T-8SFN	.50	.50	1.188	.406	.924	.502	.50	.265	.312	1.000
10T-8SF	10T-8SFN	.63	.50	1.188	.500	.924	.627	.50	.265	.312	1.000
12T-12SF	12T-12SFN	.75	.75	1.500	.656	1.234	.752	.56	.265	.375	1.250
16T-12SF	16T-12SFN	1.00	.75	1.500	.750	1.234	1.002	.56	.265	.375	1.250
16T-16SF	16T-16SFN	1.00	1.00	1.750	.906	1.484	1.002	.56	.315	.375	1.560
20T-16SF	20T-16SFN	1.25	1.00	1.750	1.000	1.484	1.252	.56	.315	.375	1.560
20T-20SF	20T-20SFN	1.25	1.25	2.000	1.125	1.684	1.252	.56	.315	.375	1.750
24T-20SF	24T-20SFN	1.50	1.25	2.000	1.250	1.684	1.502	.56	.315	.375	1.750
24T-24SF	24T-24SFN	1.50	1.50	2.375	1.375	1.964	1.502	.62	.315	.438	2.115
28T-24SF	28T-24SFN	1.75	1.50	2.375	1.500	1.964	1.752	.62	.315	.438	2.115
32T-32SF	32T-32SFN	2.00	2.00	2.812	1.875	2.434	2.002	.62	.375	.500	2.490
36T-32SF	36T-32SFN	2.25	2.00	2.812	2.000	2.434	2.252	.62	.375	.500	2.490
40T-40SF	40T-40SFN	2.50	2.50	3.312	2.375	2.904	2.502	.68	.375	.562	2.995
44T-40SF	44T-40SFN	2.75	2.50	3.312	2.500	2.904	2.752	.68	.375	.500	2.995
48T-48SF	48T-48SFN	3.00	3.00	4.000	2.875	3.534	3.002	.75	.375	.562	3.615

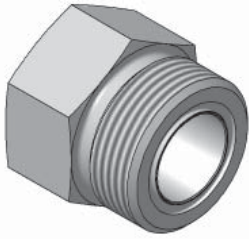
CODE 62 TUBE FLANGE HEAD FITTING											
PART NO. O-RING FIG. 1	PART NO. FLAT FACE FIG. 2	TUBE SIZE	FLANGE SIZE	A	B	C	D	E	F	G	H
12T-12SFX	12T-12SFXN	.75	.75	1.625	.656	1.234	.752	.69	.345	.500	1.250
16T-12SFX	16T-12SFXN	1.00	.75	1.625	.750	1.234	1.002	.69	.345	.500	1.250
16T-16SFX	16T-16SFXN	1.00	1.00	1.875	.810	1.484	1.002	.81	.375	.625	1.560
20T-16SFX	20T-16SFXN	1.25	1.00	1.875	1.000	1.484	1.252	.81	.375	.625	1.560
20T-20SFX	20T-20SFXN	1.25	1.25	2.125	1.010	1.704	1.252	1.00	.405	.812	1.750
24T-20SFX	24T-20SFXN	1.50	1.25	2.125	1.250	1.704	1.502	1.00	.405	.812	1.750
24T-24SFX	24T-24SFXN	1.50	1.50	2.500	1.250	1.984	1.502	1.19	.495	1.000	2.115
28T-24SFX	28T-24SFXN	1.75	1.50	2.500	1.500	1.984	1.757	1.19	.495	1.000	2.115
32T-32SFX	32T-32SFXN	2.00	2.00	3.125	1.750	2.604	2.002	1.50	.495	1.375	2.490
36T-32SFX	36T-32SFXN	2.25	2.00	3.125	2.000	2.604	2.252	1.50	.495	1.312	2.490

FLOW, NEEDLE & CHECK VALVES

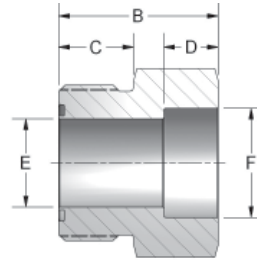
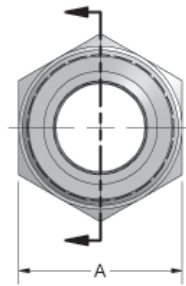
HYDRAULIC BALL VALVES

WELD COUPLINGS

FLANGES



- C1020 Carbon Steel Material
- Natural Finish
- O-Ring groove per SAE J1453, Style "B" for improved O-ring retention
- O-Ring not included



BRAZE-ON TUBE FITTINGS								
PART #	TUBE SIZE	ORFS THREAD SIZE	B	C	D	E	F	G
1453-04-04	1/4"	9/16"-18	.625	.780	.386	.252	.250	.172
1453-05-04	5/16"	9/16"-18	.625	.780	.386	.315	.250	.172
1453-06-04	3/8"	9/16"-18	.750	.780	.386	.377	.250	.172
1453-06-06	3/8"	11/16"-16	.750	.830	.441	.377	.250	.264
1453-08-06	1/2"	11/16"-16	.875	.950	.441	.502	.375	.264
1453-08-08	1/2"	13/16"-16	.875	1.010	.504	.502	.375	.378
1453-10-08	5/8"	13/16"-16	.937	1.060	.504	.627	.375	.378
1453-12-08	3/4"	13/16"-16	1.125	1.040	.504	.752	.375	.378
1453-14-08	7/8"	13/16"-16	1.250	1.09	.504	.877	.375	.378
1453-10-10	5/8"	1"-14	1.062	1.120	.610	.627	.375	.484
1453-12-10	3/4"	1"-14	1.125	1.150	.610	.752	.375	.484
1453-16-10	1"	1"-14	1.375	1.340	.610	1.002	.500	.484
1453-12-12	3/4"	1-3/16"-12	1.250	1.210	.670	.752	.375	.609
1453-14-12	7/8"	1-3/16"-12	1.250	1.210	.670	.877	.375	.609
1453-16-12	1"	1-3/16"-12	1.500	1.450	.670	1.002	.500	.609
1453-16-16	1"	1-7/16"-12	1.500	1.470	.689	1.002	.500	.811
1453-20-16	1-1/4"	1-7/16"-12	1.750	1.470	.689	1.252	.500	.811
1453-20-20	1-1/4"	1-11/16"-12	1.750	1.470	.689	1.252	.500	1.024
1453-24-20	1-1/2"	1-11/16"-12	2.000	1.470	.689	1.502	.500	1.024
1453-24-24	1-1/2"	2"-12	2.125	1.470	.689	1.502	.500	1.260
1453-28-24	1-3/4"	2"-12	2.125	1.470	.689	1.752	.531	1.260

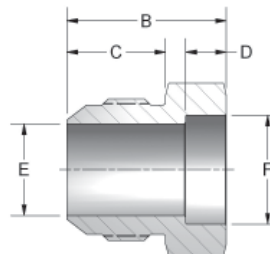
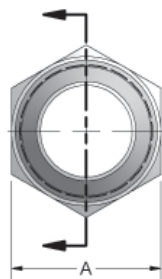
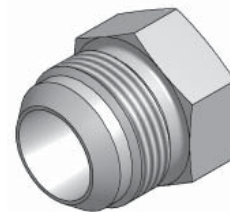
FLOW, NEEDLE & CHECK VALVES

HYDRAULIC BALL VALVES

WELD COUPLINGS

FLANGES

- C1020 Carbon Steel Material
- Natural Finish
- 37° Male JIC per SAE J514



JIC BRAZE-ON								
PART #	TUBE SIZE	JIC THREAD SIZE	A	B	C	D	E	F
51437-4-4	1/4"	7/16"-20	.500	.906	.550	.250	.172	.252
51437-5-4	5/16"	7/16"-20	.563	.906	.550	.250	.172	.315
51437-6-4	3/8"	7/16"-20	.625	.906	.550	.250	.172	.377
51437-5-5	5/16"	1/2"-20	.563	.906	.550	.250	.234	.315
51437-6-6	3/8"	9/16"-18	.625	.906	.556	.250	.297	.377
51437-8-6	1/2"	9/16"-18	.750	.906	.556	.250	.297	.502
51437-10-6	5/8"	9/16"-18	.875	.938	.556	.250	.297	.627
51437-8-8	1/2"	3/4"-16	.813	1.063	.657	.250	.394	.502
51437-10-8	5/8"	3/4"-16	.875	1.063	.657	.250	.394	.627
51437-12-8	3/4"	3/4"-16	1.000	1.125	.657	.312	.394	.752
51437-10-10	5/8"	7/8"-14	.938	1.156	.758	.250	.484	.627
51437-12-10	3/4"	7/8"-14	1.000	1.219	.758	.312	.484	.752
51437-14-10	7/8"	7/8"-14	1.125	1.219	.758	.312	.484	.877
51437-16-10	1"	7/8"-14	1.250	1.281	.758	.375	.484	1.002
51437-10-12	5/8"	1 1/16"-12	1.125	1.344	.864	.375	.611	.627
51437-12-12	3/4"	1 1/16"-12	1.125	1.344	.864	.312	.611	.752
51437-14-12	7/8"	1 1/16"-12	1.125	1.344	.864	.312	.611	.877
51437-16-12	1"	1 1/16"-12	1.250	1.406	.864	.375	.611	1.002
51437-14-14	7/8"	1 3/16"-12	1.250	1.375	.890	.312	.719	.877
51437-16-14	1"	1 3/16"-12	1.250	1.438	.890	.375	.719	1.002
51437-12-16	3/4"	1 5/16"-12	1.375	1.375	.911	.312	.844	.752
51437-16-16	1"	1 5/16"-12	1.375	1.469	.911	.375	.844	1.002
51437-20-16	1 1/4"	1 5/16"-12	1.500	1.469	.911	.375	.844	1.252
51437-24-16	1 1/2"	1 5/16"-12	1.750	1.531	.911	.438	.844	1.502
51437-16-20	1"	1 5/8"-12	1.625	1.344	.958	.375	1.078	1.002
51437-20-20	1 1/4"	1 5/8"-12	1.688	1.531	.958	.375	1.078	1.252
51437-24-20	1 1/2"	1 5/8"-12	1.750	1.625	.958	.438	1.078	1.502
51437-20-24	1 1/4"	1 7/8"-12	1.875	1.594	1.083	.375	1.318	1.252
51437-24-24	1 1/2"	1 7/8"-12	2.000	1.750	1.083	.438	1.318	1.502
51437-28-24	1 3/4"	1 7/8"-12	2.125	1.813	1.083	.500	1.318	1.752
51437-32-24	2"	1 7/8"-12	2.500	1.813	1.083	.500	1.318	2.002
51437-32-32	2"	2 1/2"-12	2.625	2.125	1.333	.500	1.781	2.002
51437-36-32	2 1/4"	2 1/2"-12	2.625	2.250	1.333	.625	1.781	2.252

FLOW, NEEDLE & CHECK VALVES

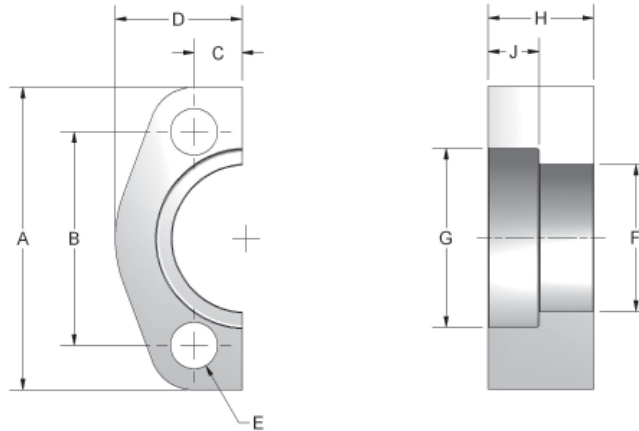
HYDRAULIC BALL VALVES

WELD COUPLINGS

FLANGES



Fits Caterpillar Flange Head ends only.



PTX SERIES SPLIT FLANGES												
PART NO.	**KIT PART NO.	FLANGE SIZE	A	B	C	D	E	F	G	H	J	MOUNTING HARDWARE
												HHCS
12PTX-2	12PTXO	.75	2.950	2.000	.446	1.210	.406	1.270	1.632	1.102	.530	3/8-16X1.75
16PTX-2	16PTXO	1.00	3.190	2.250	.507	1.335	.469	1.550	1.884	1.102	.530	7/16-14X1.75
20PTX-2	20PTXO	1.25	3.750	2.625	.585	1.490	.531	1.705	2.134	1.102	.530	1/2-13X2.00
24PTX-2	24PTXO	1.50	4.440	3.125	.679	1.335	.656	2.080	2.509	1.258	.530	5/8-11X2.50
32PTX-2	32PTXO	2.00	5.240	3.812	.834	2.205	.827	2.640	3.130	1.457	.530	3/4-10X2.75

When ordering this part # you will receive: (2) split flange halves, (4) hex head bolts and lockwashers. **NO O-RING INCLUDED.

FLOW, NEEDLE & CHECK VALVES

HYDRAULIC BALL VALVES

WELD COUPLINGS

FLANGES

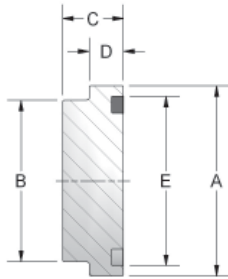


Figure 1

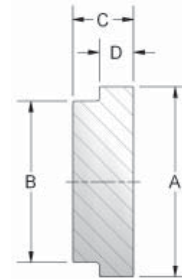
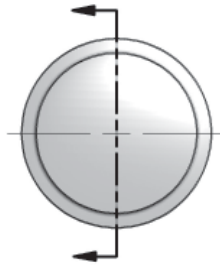
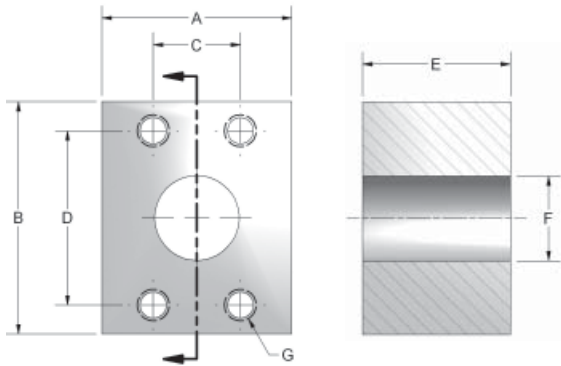
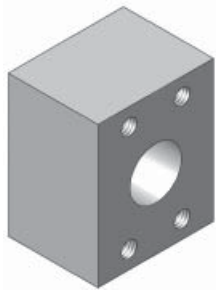


Figure 2

CODE 61 FLANGE PLUG							
PART NO. O-RING FIG. 1	PART NO. FLAT FACE FIG. 2	FLANGE SIZE	A	B	C	D	E
8-FOP	8-FP	.50	1.188	.924	.50	.265	1.000
12-FOP	12-FP	.75	1.500	1.234	.56	.265	1.250
16-FOP	16-FP	1.00	1.750	1.484	.56	.315	1.560
20-FOP	20-FP	1.25	2.000	1.684	.56	.315	1.750
24-FOP	24-FP	1.50	2.375	1.964	.62	.315	2.115
32-FOP	32-FP	2.00	2.810	2.434	.62	.375	2.490
40-FOP	40-FP	2.50	3.312	2.904	.68	.375	2.995
48-FOP	48-FP	3.00	4.000	3.534	.75	.375	3.615

CODE 62 FLANGE PLUG							
PART NO. O-RING FIG. 1	PART NO. FLAT FACE FIG. 2	FLANGE SIZE	A	B	C	D	E
12-FOPX	12-FPX	.75	1.625	1.234	.690	.345	1.250
16-FOPX	16-FPX	1.00	1.875	1.484	.810	.375	1.560
20-FOPX	20-FPX	1.25	2.125	1.704	1.000	.405	1.750
24-FOPX	24-FPX	1.50	2.500	1.984	1.190	.495	2.115
32-FOPX	32-FPX	2.00	3.125	2.604	1.500	.495	2.490

Used to connect two o-ring flanges.

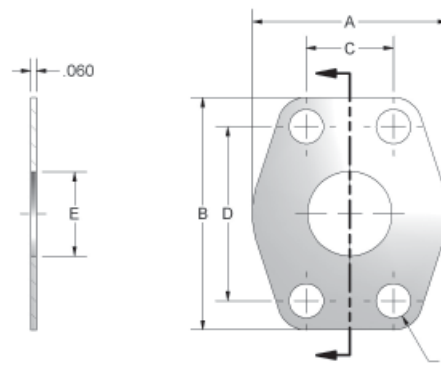


CODE 61 CONNECTOR BLOCK								
PART NO.	PAD SIZE	A	B	C	D	E	F	G UNC-2B
ACB 8-8	.50	2.00	2.12	.688	1.500	1.75	.502	5/16-18
ACB 12-12	.75	2.00	2.62	.875	1.875	1.75	.752	3/8-16
ACB 16-16	1.00	2.25	2.75	1.031	2.062	1.75	1.002	3/8-16
ACB 20-20	1.25	3.00	3.19	1.188	2.312	2.125	1.252	7/16-14
ACB 24-24	1.50	3.50	3.75	1.406	2.750	2.125	1.502	1/2-13
ACB 32-32	2.00	3.88	4.00	1.688	3.062	2.125	1.942	1/2-13
ACB 40-40	2.50	4.38	4.50	2.000	3.500	2.375	2.442	1/2-13

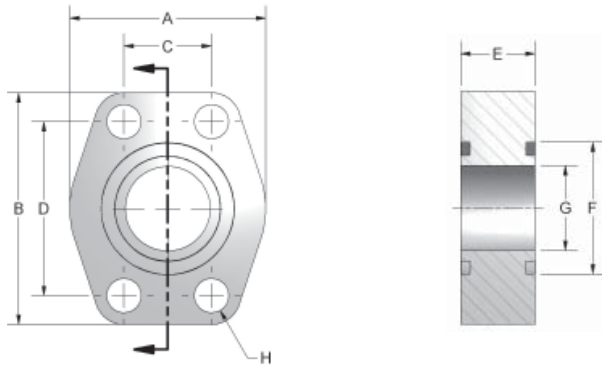
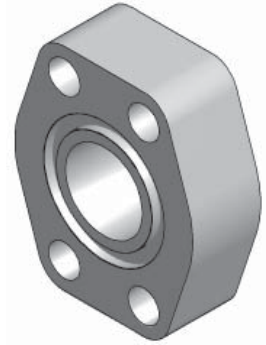
CODE 62 CONNECTOR BLOCK								
PART NO.	PAD SIZE	A	B	C	D	E	F	G UNC-2B
ACBX 8-8	.50	2.00	2.22	.718	1.594	1.75	.502	5/16-18
ACBX 12-12	.75	2.50	2.81	.937	2.000	2.00	.752	3/8-16
ACBX 16-16	1.00	2.75	3.19	1.093	2.250	2.00	1.002	7/16-14
ACBX 20-20	1.25	3.00	3.75	1.250	2.625	2.00	1.252	1/2-13
ACBX 24-24	1.50	3.88	4.50	1.437	3.125	2.50	1.502	5/8-11
ACBX 32-32	2.00	4.50	5.25	1.750	3.812	3.00	1.942	3/4-10

CODE 61 CONNECTOR PLATE							
PART NO.	PAD SIZE	A	B	C	D	E	F
8 CP	.50	1.81	2.12	.688	1.500	.50	.344
12 CP	.75	2.06	2.56	.875	1.875	.75	.406
16 CP	1.00	2.31	2.75	1.031	2.062	1.00	.406
20 CP	1.25	2.88	3.12	1.188	2.312	1.25	.469
24 CP	1.50	3.25	3.69	1.406	2.750	1.50	.531
32 CP	2.00	3.81	4.00	1.688	3.062	2.00	.531
40 CP	2.50	4.12	4.44	2.000	3.500	2.50	.531
48 CP	3.00	5.16	5.31	2.438	4.188	3.00	.656

CODE 62 CONNECTOR PLATE							
PART NO.	PAD SIZE	A	B	C	D	E	F
12 CPX	.75	2.38	2.81	.937	2.000	.750	.406
16 CPX	1.00	2.75	3.19	1.093	2.250	1.000	.469
20 CPX	1.25	3.06	3.75	1.250	2.625	1.250	.531
24 CPX	1.50	3.75	4.44	1.437	3.125	1.500	.656
32 CPX	2.00	4.50	5.25	1.750	3.812	2.000	.781



Used to connect two flat faced flanges.



CODE 61 DOUBLE O-RING SPACER									
PART NO.	PAD SIZE	A	B	C	D	E	F	G	H
ADOS-8-8	.50	1.813	2.125	.688	1.50	.750	1.000	.502	.344
ADOS-12-12	.75	2.063	2.563	.875	1.875	.750	1.250	.752	.406
ADOS-16-16	1.00	2.313	2.750	1.031	2.063	.880	1.560	1.002	.406
ADOS-20-20	1.25	2.875	3.125	1.188	2.313	.940	1.750	1.252	.469
ADOS-24-24	1.50	3.250	3.688	1.406	2.750	1.190	2.115	1.502	.531
ADOS-32-32	2.00	3.813	4.000	1.688	3.063	1.44	2.490	2.002	.531
ADOS-40-40	2.50	4.281	4.500	2.000	3.500	1.815	2.995	2.502	.531
ADOS-48-48	3.00	5.156	5.313	2.438	4.188	2.190	3.615	3.002	.656
ADOS-56-56	3.50	5.500	6.000	2.750	4.750	1.440	4.095	3.502	.656
ADOS-64-64	4.00	6.00	6.38	3.062	5.125	1.44	4.595	4.002	.656

CODE 62 DOUBLE O-RING SPACER									
PART NO. O-RING	PAD SIZE	A	B	C	D	E	F	G	H
ADOSX-8-8	.500	1.94	2.30	.718	1.594	1.25	1.000	.502	.344
ADOSX-12-12	.750	2.50	2.95	.937	2.000	1.250	1.250	.752	.406
ADOSX-16-16	1.00	2.75	3.19	1.093	2.250	1.500	1.560	1.002	.492
ADOSX-20-20	1.25	3.06	3.75	1.250	2.625	1.430	1.750	1.252	.531
ADOSX-24-24	1.50	3.75	4.44	1.437	3.125	1.815	2.115	1.502	.656
ADOSX-32-32	2.00	4.50	5.25	1.750	3.812	1.815	2.490	2.002	.781
ADOSX-40-40	2.50	5.87	6.87	2.312	4.875	1.930	2.995	2.502	.906
ADOSX-48-48	3.00	7.00	8.50	2.812	6.000	2.69	3.615	3.002	1.156

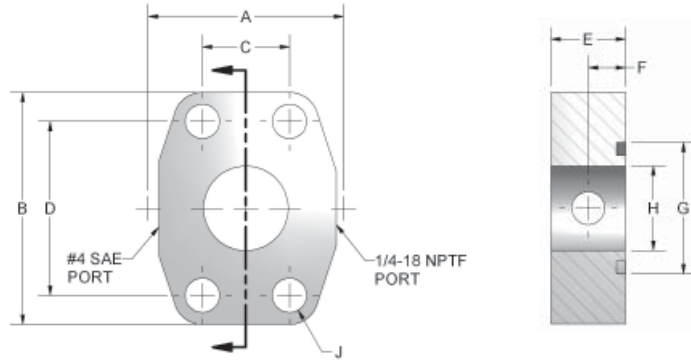
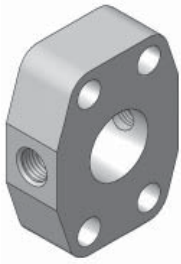
FLOW, NEEDLE & CHECK VALVES

HYDRAULIC BALL VALVES

WELD COUPLINGS

FLANGES

Gage Port Spacer



CODE 61 GAGE PORT O-RING SPACER										
PART NO.	PAD SIZE	A	B	C	D	E	F	G	H	J
AS-8-GP	.50	1.82	2.16	.688	1.500	1.25	.62	1.000	.502	.344
AS-12-GP	.75	2.06	2.69	.875	1.875	1.25	.62	1.250	.752	.406
AS-16-GP	1.00	2.31	2.75	1.031	2.062	.88	.44	1.560	1.002	.406
AS-20-GP	1.25	2.87	3.12	1.188	2.312	.94	.47	1.750	1.252	.469
AS-24-GP	1.50	3.25	3.68	1.406	2.750	1.19	.59	2.115	1.502	.531
AS-32-GP	2.00	3.81	4.00	1.688	3.062	1.38	.69	2.490	2.002	.531
AS-40-GP	2.50	4.28	4.50	2.000	3.500	1.75	.88	2.995	2.502	.531
AS-48-GP	3.00	5.15	5.31	2.438	4.188	2.12	1.06	3.615	3.002	.656

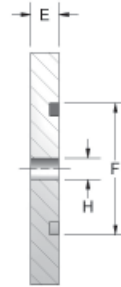
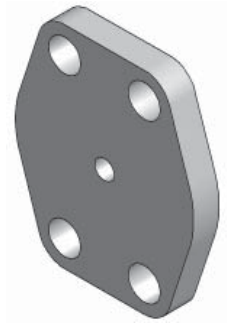
CODE 62 GAGE PORT O-RING SPACER										
PART NO.	PAD SIZE	A	B	C	D	E	F	G	H	J
ASX-8-GP	.50	1.94	2.30	.718	1.594	1.25	.62	1.000	.502	.344
ASX-12-GP	.75	2.50	2.95	.937	2.000	1.25	.62	1.250	.752	.406
ASX-16-GP	1.00	2.75	3.19	1.093	2.250	1.50	.75	1.560	1.002	.492
ASX-20-GP	1.25	3.06	3.75	1.250	2.625	1.50	.75	1.750	1.252	.531
ASX-24-GP	1.50	3.75	4.44	1.437	3.125	1.75	.88	2.115	1.502	.656
ASX-32-GP	2.00	4.50	5.25	1.750	3.812	1.75	.88	2.490	2.002	.781
ASX-40-GP	2.50	5.87	6.87	2.312	4.875	2.06	1.03	2.995	2.502	.906
ASX-48-GP	3.00	7.00	8.50	2.812	6.000	2.62	1.31	3.615	3.002	1.156

FLOW, NEEDLE & CHECK VALVES

HYDRAULIC BALL VALVES

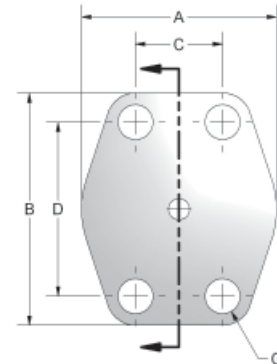
WELD COUPLINGS

FLANGES

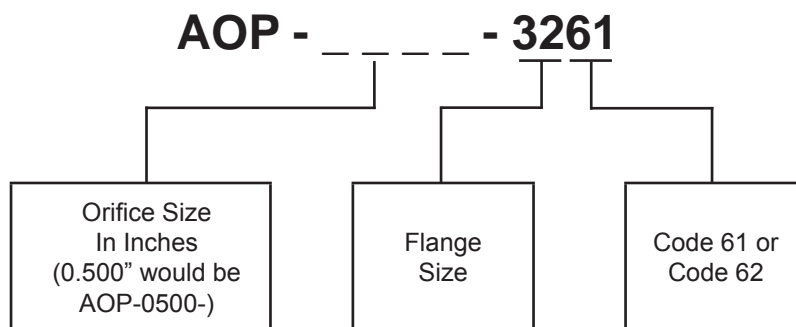


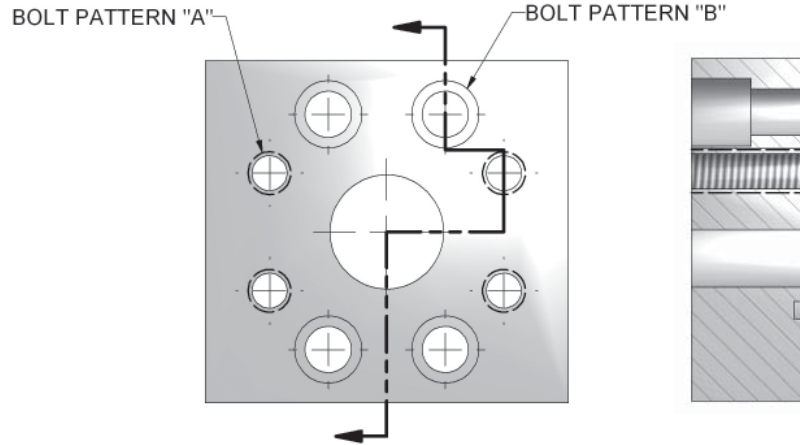
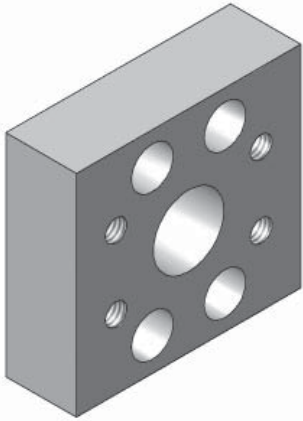
CODE 61 ORIFICE PLATE									
PART NO.	PAD SIZE	A	B	C	D	E	F	G	H DIA.
AOP-___-0861	.50	1.81	2.12	.688	1.500	.33	1.000	.344	CUSTOMER SPECIFIED
AOP-___-1261	.75	2.06	2.56	.875	1.875	.33	1.250	.413	
AOP-___-1661	1.00	2.31	2.75	1.031	2.063	.33	1.560	.413	
AOP-___-2061	1.25	2.88	3.12	1.188	2.313	.33	1.750	.469	
AOP-___-2461	1.50	3.25	3.69	1.406	2.750	.33	2.115	.531	
AOP-___-3261	2.00	3.81	4.00	1.688	3.063	.33	2.490	.531	
AOP-___-4061	2.50	4.28	4.50	2.000	3.500	.33	2.995	.531	
AOP-___-4861	3.00	5.16	5.31	2.438	4.188	.33	3.615	.656	
AOP-___-5661	3.50	5.50	6.00	2.750	4.750	.33	4.095	.656	
AOP-___-6461	4.00	6.00	6.38	3.062	5.125	.33	4.595	.656	

CODE 62 ORIFICE PLATE									
PART NO.	PAD SIZE	A	B	C	D	E	F	G	H DIA.
AOPX-___-0862	.50	1.94	2.19	.718	1.594	.33	1.000	.354	CUSTOMER SPECIFIED
AOPX-___-1262	.75	2.50	2.81	.937	2.000	.33	1.250	.433	
AOPX-___-1662	1.00	2.75	3.19	1.093	2.250	.33	1.560	.531	
AOPX-___-2062	1.25	3.06	3.75	1.250	2.625	.33	1.750	.610	
AOPX-___-2462	1.50	3.75	4.44	1.437	3.125	.33	2.115	.689	
AOPX-___-3262	2.00	4.50	5.25	1.750	3.812	.33	2.490	.866	



Ordering Information

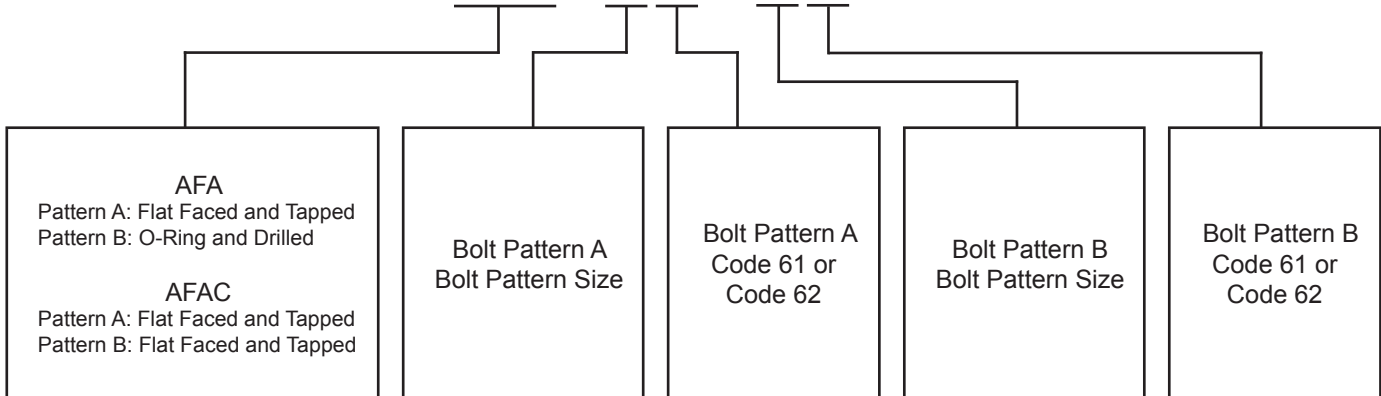




*Outer envelope shape may vary due to size configuration.

Ordering Information

AFA - 1261 - 3262



FLOW, NEEDLE & CHECK VALVES

HYDRAULIC BALL VALVES

WELD COUPLINGS

FLANGES

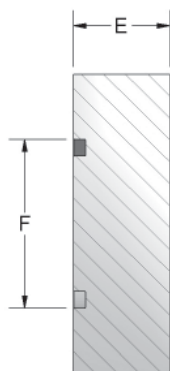


Figure 1

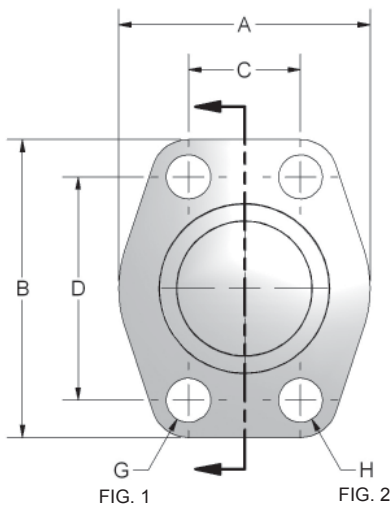


FIG. 1

FIG. 2

PILOT HOLE
PRESENT ONLY ON
FLAT FACE PARTS

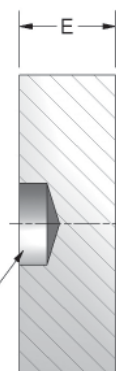
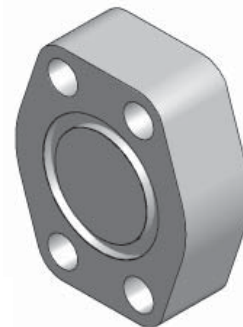


Figure 2



FLOW, NEEDLE & CHECK VALVES

HYDRAULIC BALL VALVES

WELD COUPLINGS

FLANGES

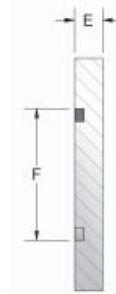
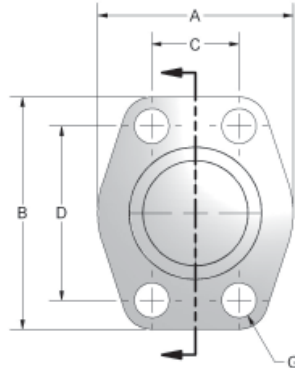
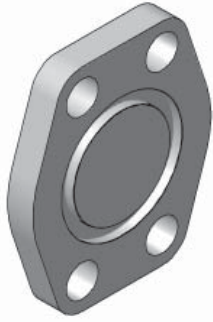
CODE 61 BLANKING

PART NO. O-RING FIG. 1	PART NO. FLAT FACE FIG. 2	PAD SIZE	A	B	C	D	E	F	G	H UNC-2B	MOUNTING HARDWARE	
											O-RING	SHCS
W36-8-8	W37-8-8	.50	1.813	2.125	.688	1.50	.75	1.000	.344	5/16-18	210	5/16-18X1.50
W36-12-12	W37-12-12	.75	2.063	2.563	.875	1.875	.75	1.250	.406	3/8-16	214	3/8-16X1.50
W36-16-16	W37-16-16	1.00	2.313	2.750	1.031	2.063	.88	1.560	.406	3/8-16	219	3/8-16X1.75
W36-20-20	W37-20-20	1.25	2.875	3.125	1.188	2.313	.94	1.750	.469	7/16-14	222	7/16-14X1.75
W36-24-24	W37-24-24	1.50	3.250	3.688	1.406	2.750	1.19	2.115	.531	1/2-13	225	1/2-13X2.25
W36-32-32	W37-32-32	2.00	3.813	4.000	1.688	3.063	1.44	2.490	.531	1/2-13	228	1/2-13X2.50
W36-40-40	W37-40-40	2.50	4.281	4.500	2.000	3.500	1.82	2.995	.531	1/2-13	232	1/2-13X2.75
W36-48-48	W37-48-48	3.00	5.156	5.313	2.438	4.188	2.19	3.615	.656	5/8-11	237	5/8-11X3.50
W36-56-56	W37-56-56	3.50	5.500	6.000	2.750	4.750	1.44	4.095	.656	5/8-11	241	5/8-11X2.75
W36-64-64	W37-64-64	4.00	6.00	6.38	3.062	5.125	1.44	4.595	.656	5/8-11	245	5/8-11X2.75

CODE 62 BLANKING

PART NO. O-RING FIG. 1	PART NO. FLAT FACE FIG. 2	PAD SIZE	A	B	C	D	E	F	G	H UNC-2B	MOUNTING HARDWARE	
											O-RING	SHCS
W38-8-8	W39-8-8	.500	1.94	2.30	.718	1.594	1.25	1.000	.344	5/16-18	210	5/16-18X2.00
W38-12-12	W39-12-12	.750	2.50	2.95	.937	2.000	1.25	1.250	.406	3/8-16	214	3/8-16X2.00
W38-16-16	W39-16-16	1.00	2.75	3.19	1.093	2.250	1.50	1.560	.492	7/16-14	219	7/16-14X2.50
W38-20-20	W39-20-20	1.25	3.06	3.75	1.250	2.625	1.43	1.750	.531	1/2-13	222	1/2-13X2.50
W38-24-24	W39-24-24	1.50	3.75	4.44	1.437	3.125	1.82	2.115	.656	5/8-11	225	5/8-11X3.00
W38-32-32	W39-32-32	2.00	4.50	5.25	1.750	3.812	1.82	2.490	.781	3/4-10	228	3/4-10X3.00
W38-40-40	W39-40-40	2.50	5.87	6.87	2.312	4.875	1.93	2.995	.906	7/8-9	232	7/8-9X3.50
W38-48-48	W39-48-48	3.00	7.00	8.50	2.812	6.000	2.69	3.615	1.190	1 1/8-7	237	1 1/8-7X4.50

Zero PSI Shipping Plate



FLOW, NEEDLE & CHECK VALVES

HYDRAULIC BALL VALVES

WELD COUPLINGS

FLANGES

Anchor Fluid Power has developed a low cost solution to leaky, gasketless port covers. Forged steel shipping plates are 0.33" thick, silver trivalent plated for resistance to oxidation, and incorporate an o-ring groove on one side for "Zero Pressure" applications. The opposite side has a machined flat-face for capping off hose ends.

CODE 61 SHIPPING PLATE											
PART NO.	**KIT PART NO.	PAD SIZE	A	B	C	D	E	F	G	MOUNTING HARDWARE	
										O-RING	HHCS
SP-8	SP-8U	.50	1.81	2.12	.688	1.500	.33	1.000	.344	210	5/16-18X.75
SP-12	SP-12U	.75	2.06	2.56	.875	1.875	.33	1.250	.413	214	3/8-16X.75
SP-16	SP-16U	1.00	2.31	2.75	1.031	2.063	.33	1.560	.413	219	3/8-16X.75
SP-20	SP-20U	1.25	2.88	3.12	1.188	2.313	.33	1.750	.469	222	7/16-14X.75
SP-24	SP-24U	1.50	3.25	3.69	1.406	2.750	.33	2.115	.531	225	1/2-13X.75
SP-32	SP-32U	2.00	3.81	4.00	1.688	3.063	.33	2.490	.531	228	1/2-13X.75
SP-40	SP-40U	2.50	4.28	4.50	2.000	3.500	.33	2.995	.531	232	1/2-13X.75
SP-48	SP-48U	3.00	5.16	5.31	2.438	4.188	.33	3.615	.656	237	5/8-11X1.00
SP-56	SP-56U	3.50	5.50	6.00	2.750	4.750	.33	4.095	.656	241	5/8-11X1.00
SP-64	SP-64U	4.00	6.00	6.38	3.062	5.125	.33	4.595	.656	245	5/8-11X1.00

CODE 62 SHIPPING PLATE											
PART NO.	**KIT PART NO.	PAD SIZE	A	B	C	D	E	F	G	MOUNTING HARDWARE	
										O-RING	HHCS
SPX-8	SPX-8U	.50	1.94	2.19	.718	1.594	.33	1.000	.354	210	5/16-18X.75
SPX-12	SPX-12U	.75	2.50	2.81	.937	2.000	.33	1.250	.433	214	3/8-16X.75
SPX-16	SPX-16U	1.00	2.75	3.19	1.093	2.250	.33	1.560	.531	219	7/16-14X.75
SPX-20	SPX-20U	1.25	3.06	3.75	1.250	2.625	.33	1.750	.610	222	1/2-13X.75
SPX-24	SPX-24U	1.50	3.75	4.44	1.437	3.125	.33	2.115	.689	225	5/8-11X1.00
SPX-32	SPX-32U	2.00	4.50	5.25	1.750	3.812	.33	2.490	.866	228	3/4-10X1.00

**When ordering this part # you will receive:(1) shipping plate, (4) hex head bolts, and (1) Buna N O-Ring

NOT FOR USE ON DYNAMIC OR PRESSURIZED APPLICATIONS

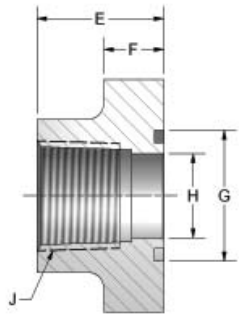
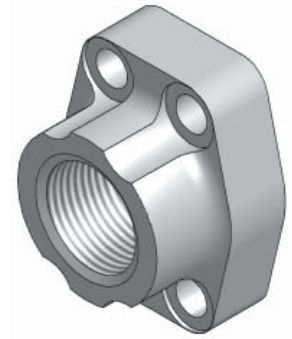
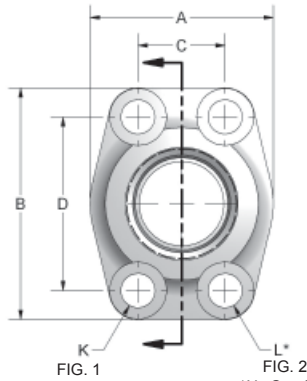


Figure 1



*No Spotface

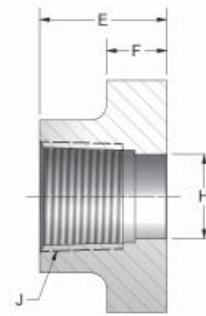


Figure 2

CODE 61 NPTF THREAD

PART NO. O-RING FIG. 1	PART NO. FLAT FACE FIG. 2	PORT SIZE	PAD SIZE	A	B	C	D	E	F	G	H	J NPTF	K	L UNC-2B	MOUNTING HARDWARE	
															O-RING	SHCS
W43-8-8	W104-8-8	.50	.50	1.81	2.13	.688	1.500	1.42	.63	1.000	.502	1/2-14	.344	5/16-18	210	5/16-18X1.25
W43-12-12	W104-12-12	.75	.75	1.97	2.56	.875	1.875	1.42	.71	1.250	.752	3/4-14	.406	3/8-16	214	3/8-16X1.50
W43-16-16	W104-16-16	1.00	1.00	2.17	2.75	1.031	2.062	1.50	.71	1.560	1.002	1-11.5	.406	3/8-16	219	3/8-16X1.50
W43-20-20	W104-20-20	1.25	1.25	2.68	3.12	1.188	2.312	1.61	.83	1.750	1.252	1 1/4-11.5	.469	7/16-14	222	7/16-14X1.75
W43-24-24	W104-24-24	1.50	1.50	3.07	3.66	1.406	2.750	1.77	.98	2.115	1.502	1 1/2-11.5	.531	1/2-13	225	1/2-13X1.75
W43-32-32	W104-32-32	2.00	2.00	3.54	4.00	1.688	3.062	1.77	.98	2.490	2.002	2-11.5	.531	1/2-13	228	1/2-13X1.75
W43-40-40	W104-40-40	2.50	2.50	4.09	4.49	2.000	3.500	1.97	.98	2.995	2.502	2 1/2-8	.531	1/2-13	232	1/2-13X1.75
W43-48-48	W104-48-48	3.00	3.00	4.88	5.28	2.438	4.188	1.97	1.06	3.615	3.002	3-8	.656	5/8-11	237	5/8-11X2.00

CODE 62 NPTF THREAD

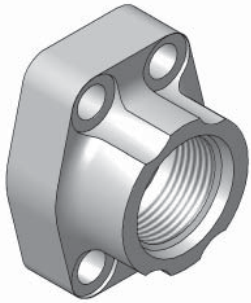
PART NO. O-RING FIG. 1	PART NO. FLAT FACE FIG. 2	PORT SIZE	PAD SIZE	A	B	C	D	E	F	G	H	J NPTF	K	L UNC-2B	MOUNTING HARDWARE	
															O-RING	SHCS
W44-8-8	W45-8-8	.50	.50	1.81	2.21	.718	1.594	1.42	.63	1.000	.502	1/2-14	.344	5/8-18	210	5/16-18X1.25
W44-12-12	W45-12-12	.75	.75	2.17	2.80	.937	2.000	1.38	.83	1.250	.752	3/4-14	.406	3/8-16	214	3/8-16X1.50
W44-16-16	W45-16-16	1.00	1.00	2.56	3.19	1.093	2.250	1.65	.98	1.560	1.002	1-11.5	.492	7/16-14	219	7/16-14X1.75
W44-20-20	W45-20-20	1.25	1.25	3.07	3.75	1.250	2.625	1.77	1.06	1.750	1.252	1 1/4-11.5	.531	1/2-13	222	1/2-13X1.75
W44-24-24	W45-24-24	1.50	1.50	3.70	4.41	1.437	3.125	1.97	1.18	2.115	1.502	1 1/2-11.5	.656	5/8-11	225	5/8-11X2.25
W44-32-32	W45-32-32	2.00	2.00	4.50	5.28	1.750	3.812	2.56	1.46	2.490	2.002	2-11.5	.781	3/4-10	228	3/4-10X2.75

FLOW, NEEDLE & CHECK VALVES

HYDRAULIC BALL VALVES

WELD COUPLINGS

FLANGES



FLOW, NEEDLE & CHECK VALVES

HYDRAULIC BALL VALVES

WELD COUPLINGS

FLANGES

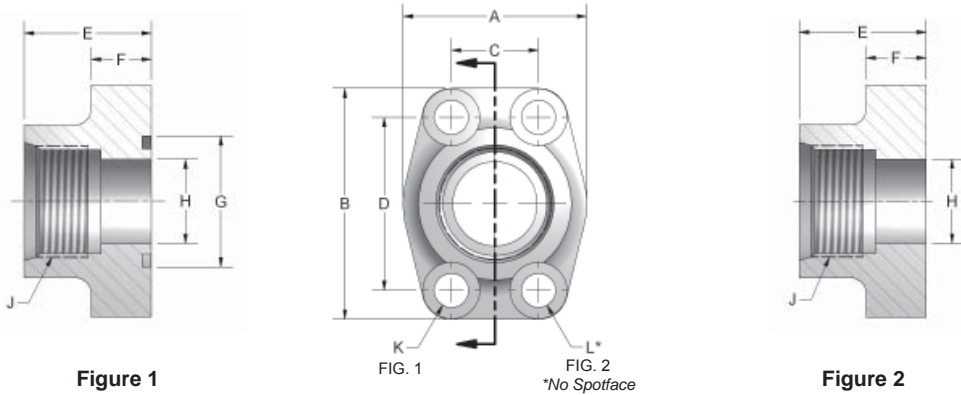


Figure 1

FIG. 1

FIG. 2
*No Spotface

Figure 2

CODE 61 SAE STRAIGHT THREAD																
PART NO. O-RING FIG. 1	PART NO. FLAT FACE FIG. 2	PORT SIZE	PAD SIZE	A	B	C	D	E	F	G	H	J UN/ UNF-2B	K	L UNC-2B	MOUNTING HARDWARE	
															O-RING	SHCS
W46-8-8	W106-8-8	.50	.50	1.81	2.13	.688	1.500	1.42	.63	1.000	.502	3/4-16	.344	5/16-18	210	5/16-18X1.25
W46-12-12	W106-12-12	.75	.75	1.97	2.56	.875	1.875	1.42	.71	1.250	.752	1 1/16-12	.406	3/8-16	214	3/8-16X1.50
W46-16-16	W106-16-16	1.00	1.00	2.17	2.75	1.031	2.062	1.50	.71	1.560	1.002	1 5/16-12	.406	3/8-16	219	3/8-16X1.50
W46-20-20	W106-20-20	1.25	1.25	2.68	3.12	1.188	2.312	1.61	.83	1.750	1.252	1 5/8-12	.469	7/16-14	222	7/16-14X1.75
W46-24-24	W106-24-24	1.50	1.50	3.07	3.66	1.406	2.750	1.77	.98	2.115	1.502	1 7/8-12	.531	1/2-13	225	1/2-13X1.75
*W46-32-32	W106-32-32	2.00	2.00	3.54	4.00	1.688	3.062	1.77	.98	2.490	2.002	2 1/2-12	.531	1/2-13	228	1/2-13X1.75

*NOTE: 500 PSI max for W46-32-32

CODE 62 SAE STRAIGHT THREAD																
PART NO. O-RING FIG. 1	PART NO. FLAT FACE FIG. 2	PORT SIZE	PAD SIZE	A	B	C	D	E	F	G	H	J UN/ UNF-2B	K	L UNC-2B	MOUNTING HARDWARE	
															O-RING	SHCS
W48-8-8	W49-8-8	.50	.50	1.81	2.21	.718	1.594	1.42	.63	1.000	.502	3/4-16	.344	5/16-18	210	5/16-18X1.25
W48-12-12	W49-12-12	.75	.75	2.17	2.80	.937	2.000	1.38	.83	1.250	.752	1 1/8-12	.406	3/8-16	214	3/8-16X1.50
W48-16-16	W49-16-16	1.00	1.00	2.56	3.19	1.093	2.250	1.65	.98	1.560	1.002	1 5/16-12	.492	7/16-14	219	7/16-14X1.75
W48-20-20	W49-20-20	1.25	1.25	3.07	3.75	1.250	2.625	1.77	1.06	1.750	1.252	1 5/8-12	.531	1/2-13	222	1/2-13X1.75
W48-24-24	W49-24-24	1.50	1.50	3.70	4.41	1.437	3.125	1.97	1.18	2.115	1.502	1 7/8-12	.656	5/8-11	225	5/8-11X2.25
W48-32-32	W49-32-32	2.00	2.00	4.50	5.28	1.750	3.812	2.56	1.46	2.490	2.002	2 1/2-12	.781	3/4-10	228	3/4-10X2.75

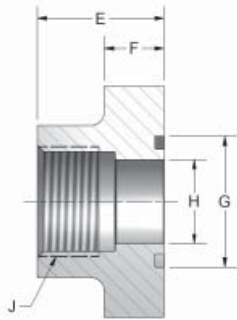
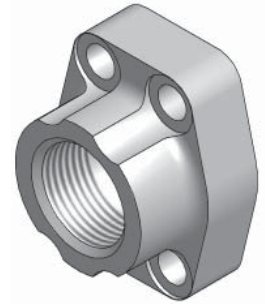


Figure 1

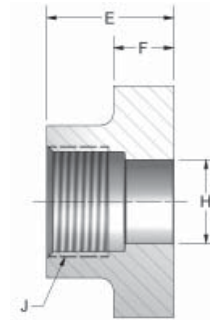
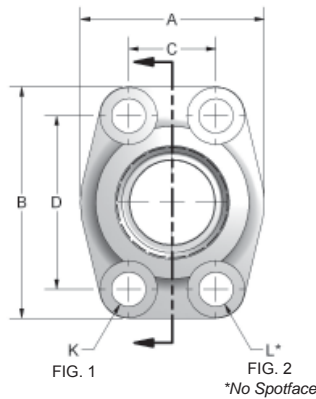
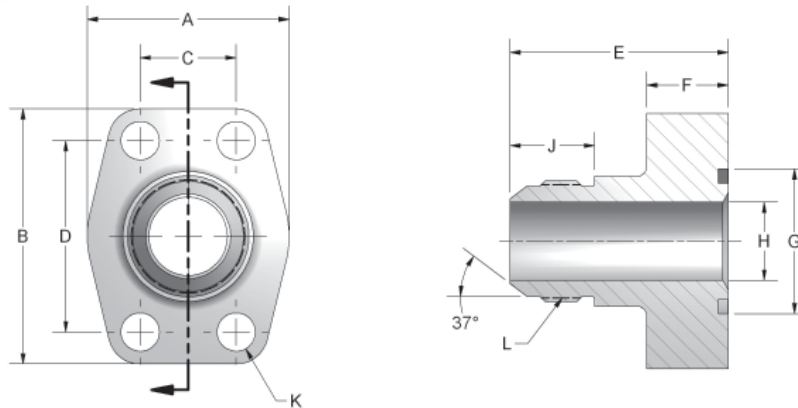
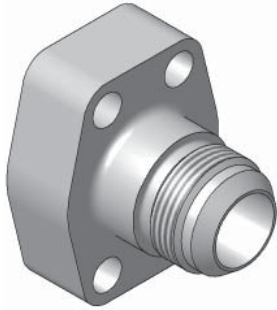


Figure 2

CODE 61 BSPP THREAD																
PART NO. O-RING FIG. 1	PART NO. FLAT FACE FIG. 2	PORT SIZE	PAD SIZE	A	B	C	D	E	F	G	H	J BSPP	K	L UNC-2B	MOUNTING HARDWARE	
															O-RING	SHCS
W192-8-8	W193-8-8	.50	.50	1.81	2.13	.688	1.500	1.42	.63	1.000	.502	.50-14	.344	5/16-18	210	5/16-18X1.25
W192-12-12	W193-12-12	.75	.75	1.97	2.56	.875	1.875	1.42	.71	1.250	.752	.75-14	.406	3/8-16	214	3/8-16X1.50
W192-16-16	W193-16-16	1.00	1.00	2.17	2.75	1.031	2.062	1.50	.71	1.560	1.002	1.00-11	.406	3/8-16	219	3/8-16X1.50
W192-20-20	W193-20-20	1.25	1.25	2.68	3.12	1.188	2.312	1.61	.83	1.750	1.252	1.25-11	.469	7/16-14	222	7/16-14X1.75
W192-24-24	W193-24-24	1.50	1.50	3.07	3.66	1.406	2.750	1.77	.98	2.115	1.502	1.50-11	.531	1/2-13	225	1/2-13X1.75
W192-32-32	W193-32-32	2.00	2.00	3.54	4.00	1.688	3.062	1.77	.98	2.490	2.002	2.00-11	.531	1/2-13	228	1/2-13X1.75

CODE 62 BSPP THREAD																
PART NO. O-RING FIG. 1	PART NO. FLAT FACE FIG. 2	PORT SIZE	PAD SIZE	A	B	C	D	E	F	G	H	J BSPP	K	L UNC-2B	MOUNTING HARDWARE	
															O-RING	SHCS
W194-8-8	W195-8-8	.50	.50	1.81	2.21	.718	1.594	1.42	.63	1.000	.502	.50-14	.344	5/16-18	210	5/16-18X1.25
W194-12-12	W195-12-12	.75	.75	2.17	2.80	.937	2.000	1.38	.83	1.250	.752	.75-14	.406	3/8-16	214	3/8-16X1.50
W194-16-16	W195-16-16	1.00	1.00	2.56	3.19	1.093	2.250	1.65	.98	1.560	1.002	1.00-11	.492	7/16-14	219	7/16-14X1.75
W194-20-20	W195-20-20	1.25	1.25	3.07	3.75	1.250	2.625	1.77	1.06	1.750	1.252	1.25-11	.531	1/2-13	222	1/2-13X1.50
W194-24-24	W195-24-24	1.50	1.50	3.70	4.41	1.437	3.125	1.97	1.18	2.115	1.502	1.50-11	.656	5/8-11	225	5/8-11X2.00
W194-32-32	W195-32-32	2.00	2.00	4.50	5.28	1.750	3.812	2.56	1.46	2.490	2.002	2.00-11	.781	3/4-10	228	3/4-10X2.75



*NOTE: 4-Bolt Flange hole pattern per SAE J518. Male JIC Thread per SAE J514.

CODE 61 MALE JIC														
PART NO.	PAD SIZE	A	B	C	D	E	F	G	H	J	K	L UN/UNF-2A	MOUNTING HARDWARE	
													O-RING	SHCS
W300-8-8	.50	1.81	2.13	.688	1.500	1.75	.88	1.000	.394	.657	.344	3/4-16	210	5/16-18X1.25
W300-12-12	.75	1.97	2.56	.875	1.875	2.12	.88	1.250	.611	.864	.413	1 1/16-12	214	3/8-16X1.50
W300-16-16	1.00	2.17	2.75	1.031	2.062	2.18	.88	1.560	.844	.911	.413	1 5/16-12	219	3/8-16X1.50
W300-20-20	1.25	2.68	3.12	1.188	2.312	2.44	.88	1.750	1.078	.958	.469	1 5/8-12	222	7/16-14X1.75
W300-24-24	1.50	3.07	3.66	1.406	2.750	2.81	.98	2.115	1.318	1.083	.531	1 7/8-12	225	1/2-13X1.75
W300-32-32	2.00	3.54	4.00	1.688	3.062	3.25	.98	2.490	1.781	1.333	.531	2 1/2-12	228	1/2-13X1.75

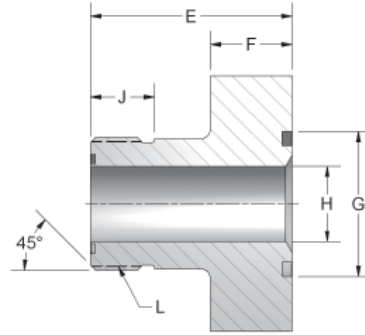
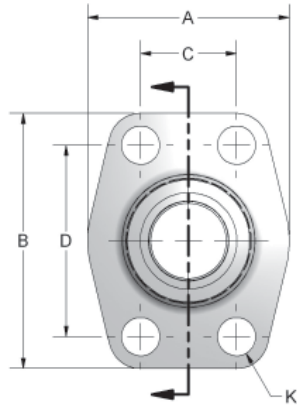
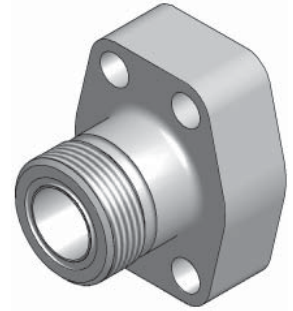
CODE 62 MALE JIC														
PART NO.	PAD SIZE	A	B	C	D	E	F	G	H	J	K	L UN/UNF-2A	MOUNTING HARDWARE	
													O-RING	SHCS
W600-8-8	.50	1.81	2.21	.719	1.594	1.75	.88	1.000	.394	.657	.344	3/4-16	210	5/16-18X1.25
W600-12-12	.75	2.17	2.80	.937	2.000	2.31	.88	1.250	.611	.864	.413	1-1/16-12	214	3/8-16X1.50
W600-16-16	1.00	2.56	3.19	1.093	2.250	2.62	.98	1.560	.844	.911	.492	1-5/16-12	219	7/16-14X1.75
W600-20-20	1.25	3.07	3.75	1.250	2.625	2.81	1.06	1.750	1.078	.958	.531	1-5/8-12	222	1/2-13X1.75
W600-24-24	1.50	3.70	4.41	1.437	3.125	3.25	1.18	2.115	1.318	1.083	.656	1-7/8-12	225	5/8-11X2.25
W600-32-32	2.00	4.50	5.28	1.750	3.812	3.91	1.46	2.490	1.781	1.333	.781	2 1/2-12	228	3/4-10X2.75

FLOW, NEEDLE & CHECK VALVES

HYDRAULIC BALL VALVES

WELD COUPLINGS

FLANGES



CODE 61 MALE ORFS														
PART NO.	PAD SIZE	A	B	C	D	E	F	G	H	J	K	L UN-2A	MOUNTING HARDWARE	
													O-RING	SHCS
W304-8-8	.50	1.81	2.13	.688	1.500	1.75	.88	1.000	.394	.504	.344	13/16-16	210	5/16-18X1.25
W304-12-12	.75	1.97	2.56	.875	1.875	2.00	.88	1.250	.611	.670	.413	1 3/16-12	214	3/8-16X1.50
W304-16-16	1.00	2.17	2.75	1.031	2.062	2.00	.88	1.560	.811	.689	.413	1 7/16-12	219	3/8-16X1.50
W304-20-20	1.25	2.68	3.12	1.188	2.312	2.25	.88	1.750	1.024	.689	.469	1 11/16-12	222	7/16-14X1.75
W304-24-24	1.50	3.07	3.66	1.406	2.750	2.50	.98	2.115	1.260	.689	.531	2-12	225	1/2-13X2.00

CODE 62 MALE ORFS														
PART NO.	PAD SIZE	A	B	C	D	E	F	G	H	J	K	L UN-2A	MOUNTING HARDWARE	
													O-RING	SHCS
W604-8-8	.50	1.81	2.21	.719	1.594	1.75	.88	1.000	.394	.504	.344	13/16-16	210	5/16-18X1.25
W604-12-12	.75	2.17	2.80	.937	2.000	2.25	.88	1.250	.611	.670	.413	1 3/16-12	214	3/8-16X1.50
W604-16-16	1.00	2.56	3.19	1.093	2.250	2.50	.98	1.560	.811	.689	.492	1 7/16-12	219	7/16-14X1.75
W604-20-20	1.25	3.07	3.75	1.250	2.625	2.62	1.06	1.750	1.024	.689	.531	1 11/16-12	222	1/2-13X1.75
W604-24-24	1.50	3.70	4.41	1.437	3.125	2.88	1.18	2.115	1.260	.689	.656	2-12	225	5/8-11X2.25

FLOW, NEEDLE & CHECK VALVES

HYDRAULIC BALL VALVES

WELD COUPLINGS

FLANGES

Flat Socket Weld Pipe

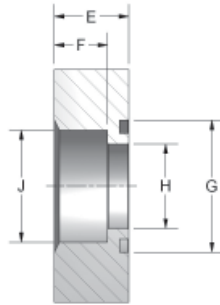
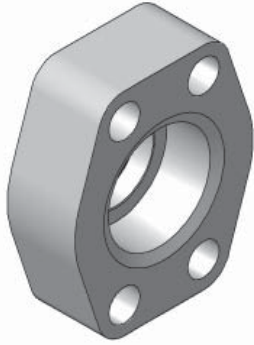


Figure 1

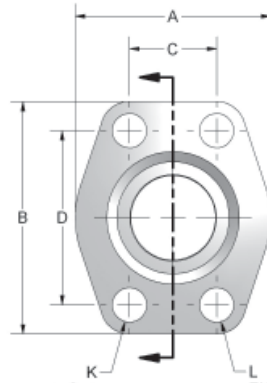


FIG. 1 FIG. 2

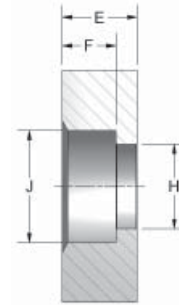


Figure 2

FLOW, NEEDLE & CHECK VALVES

HYDRAULIC BALL VALVES

WELD COUPLINGS

FLANGES

CODE 61 FLAT SOCKET WELD - PIPE

PART NO. O-RING FIG. 1	PART NO. FLAT FACE FIG. 2	PIPE SIZE	PAD SIZE	A	B	C	D	E	F	G	H	J	K	L UNC-2B	MOUNTING HARDWARE	
															O-RING	SHCS
W4-8-8	W61-8-8	.50	.50	1.813	2.125	.688	1.500	.750	.560	1.000	.502	.855	.344	5/16-18	210	5/16-18X1.50
W4-12-12	W61-12-12	.75	.75	2.063	2.563	.875	1.875	.750	.560	1.250	.752	1.062	.406	3/8-16	214	3/8-16X1.50
W4-16-16	W61-16-16	1.00	1.00	2.313	2.75	1.031	2.063	.880	.630	1.560	1.002	1.328	.406	3/8-16	219	3/8-16X1.75
W4-20-20	W61-20-20	1.25	1.25	2.875	3.125	1.188	2.313	.940	.690	1.750	1.252	1.672	.469	7/16-14	222	7/16-14X1.75
W4-24-24	W61-24-24	1.50	1.50	3.25	3.688	1.406	2.75	1.190	.750	2.115	1.502	1.922	.531	1/2-13	225	1/2-13X2.25
W4-32-32	W61-32-32	2.00	2.00	3.813	4.00	1.688	3.063	1.380	.875	2.490	2.002	2.406	.531	1/2-13	228	1/2-13X2.50
W4-40-40	W61-40-40	2.50	2.50	4.281	4.50	2.000	3.500	1.750	1.00	2.995	2.502	2.906	.531	1/2-13	232	1/2-13X2.75
W4-48-48	W61-48-48	3.00	3.00	5.156	5.313	2.438	4.188	2.120	1.250	3.615	3.002	3.547	.656	5/8-11	237	5/8-11X3.50

CODE 62 FLAT SOCKET WELD - PIPE

PART NO. O-RING FIG. 1	PART NO. FLAT FACE FIG. 2	PIPE SIZE	PAD SIZE	A	B	C	D	E	F	G	H	J	K	L UNC-2B	MOUNTING HARDWARE	
															O-RING	SHCS
W59-8-8	W60-8-8	.50	.50	1.94	2.30	.718	1.594	1.25	.560	1.000	.502	.855	.344	5/16-18	210	5/16-18X2.00
W59-12-12	W60-12-12	.75	.75	2.50	2.95	.937	2.000	1.250	.560	1.250	.752	1.062	.406	3/8-16	214	3/8-16X2.00
W59-16-16	W60-16-16	1.00	1.00	2.75	3.19	1.093	2.250	1.500	.630	1.560	1.002	1.328	.492	7/16-14	219	7/16-14X2.50
W59-20-20	W60-20-20	1.25	1.25	3.06	3.75	1.250	2.625	1.500	.690	1.750	1.252	1.672	.531	1/2-13	222	1/2-13X2.50
W59-24-24	W60-24-24	1.50	1.50	3.75	4.44	1.437	3.125	1.750	.750	2.115	1.502	1.922	.656	5/8-11	225	5/8-11X3.00
W59-32-32	W60-32-32	2.00	2.00	4.50	5.25	1.750	3.812	1.750	.875	2.490	2.002	2.406	.781	3/4-10	228	3/4-10X3.00
*W59-40-40	*W60-40-40	2.50	2.50	5.87	6.87	2.312	4.875	2.060	1.000	2.995	2.502	2.906	.906	7/8-9	232	**7/8-9X3.50
*W59-48-48	*W60-48-48	3.00	3.00	7.00	8.50	2.812	6.000	2.620	1.250	3.615	3.002	3.547	1.190	1-1/8-7	237	**1 1/8-7X4.50

*3000 PSI Max Working Pressure

**HHCS

CODE 61 FLAT SOCKET WELD - PIPE

PART NO. O-RING FIG. 1	PART NO. FLAT FACE FIG. 2	PIPE SIZE	PAD SIZE	A	B	C	D	E	F	G	H	J	K	L UNC-2B	MOUNTING HARDWARE	
															O-RING	SHCS
*W72-48-48	*W91-48-48	3.00	3.00	5.12	5.31	2.438	4.188	1.380	1.120	3.615	3.002	3.547	.656	5/8-11	237	5/8-11X2.50
W72-56-56	W91-56-56	3.50	3.50	5.50	6.00	2.750	4.750	1.440	1.190	4.095	3.502	4.047	.656	5/8-11	241	5/8-11X2.75
W72-64-64	W91-64-64	4.00	4.00	6.00	6.38	3.062	5.125	1.500	1.250	4.595	4.002	4.578	.656	5/8-11	245	5/8-11X2.75
W72-80-80	W91-80-80	5.00	5.00	7.12	7.25	3.625	6.000	1.750	1.380	5.595	5.002	5.641	.656	5/8-11	253	5/8-11X3.00

*NOTE: 500 PSI max for W72-48-48 & W91-48-48

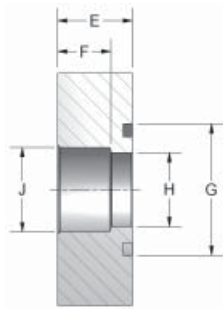


Figure 1

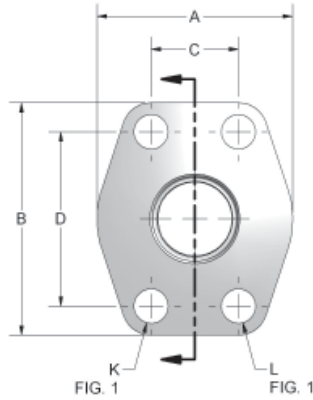


FIG. 1 FIG. 1

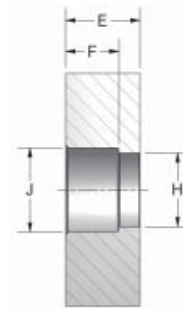
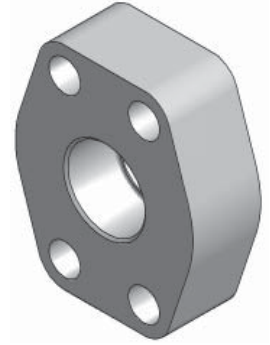


Figure 2



FLOW, NEEDLE & CHECK VALVES

HYDRAULIC BALL VALVES

WELD COUPLINGS

FLANGES

CODE 61 FLAT SOCKET WELD - TUBE

PART NO. O-RING FIG. 1	PART NO. FLAT FACE FIG. 2	TUBE SIZE	PAD SIZE	A	B	C	D	E	F	G	H	J	K	L UNC-2B	MOUNTING HARDWARE	
															O-RING	SHCS
W6-12-12	W62-12-12	.75	.75	2.060	2.560	.875	1.875	.750	.560	1.250	.625	.752	.406	3/8-16	214	3/8-16X1.50
W6-16-12	W62-16-12	1.00	.75	2.060	2.560	.875	1.875	.750	.560	1.250	.750	1.002	.406	3/8-16	214	3/8-16X1.50
W6-16-16	W62-16-16	1.00	1.00	2.310	2.750	1.031	2.062	.880	.630	1.560	.875	1.002	.406	3/8-16	219	3/8-16X1.75
W6-20-16	W62-20-16	1.25	1.00	2.310	2.750	1.031	2.062	.880	.630	1.560	1.000	1.252	.406	3/8-16	219	3/8-16X1.75
W6-20-20	W62-20-20	1.25	1.25	2.880	3.120	1.188	2.312	.940	.690	1.750	1.125	1.252	.469	7/16-14	222	7/16-14X1.75
W6-24-20	W62-24-20	1.50	1.25	2.880	3.120	1.188	2.312	.940	.690	1.750	1.250	1.502	.469	7/16-14	222	7/16-14X1.75
W6-24-24	W62-24-24	1.50	1.50	3.250	3.690	1.406	2.750	1.190	.750	2.115	1.375	1.502	.531	1/2-13	225	1/2-13X2.25
W6-28-24	W62-28-24	1.75	1.50	3.250	3.690	1.406	2.750	1.190	.750	2.115	1.500	1.752	.531	1/2-13	225	1/2-13X2.25
W6-32-32	W62-32-32	2.00	2.00	3.810	4.000	1.688	3.062	1.380	.875	2.490	1.875	2.002	.531	1/2-13	228	1/2-13X2.50
W6-36-32	W62-36-32	2.25	2.00	3.810	4.000	1.688	3.062	1.380	.875	2.490	2.000	2.252	.531	1/2-13	228	1/2-13X2.50

CODE 62 FLAT SOCKET WELD - TUBE

PART NO. O-RING FIG. 1	PART NO. FLAT FACE FIG. 2	TUBE SIZE	PAD SIZE	A	B	C	D	E	F	G	H	J	K	L UNC-2B	MOUNTING HARDWARE	
															O-RING	SHCS
W58-12-12	W63-12-12	.75	.75	2.50	2.95	.937	2.000	1.250	.560	1.250	.625	.752	.406	3/8-16	214	3/8-16X2.00
W58-16-12	W63-16-12	1.00	.75	2.50	2.95	.937	2.000	1.250	.560	1.250	.750	1.002	.406	3/8-16	214	3/8-16X2.00
W58-16-16	W63-16-16	1.00	1.00	2.75	3.19	1.093	2.250	1.500	.630	1.560	.875	1.002	.492	7/16-14	219	7/16-14X2.50
W58-20-16	W63-20-16	1.25	1.00	2.75	3.19	1.093	2.250	1.500	.630	1.560	1.000	1.252	.492	7/16-14	219	7/16-14X2.50
W58-20-20	W63-20-20	1.25	1.25	3.06	3.75	1.250	2.625	1.500	.690	1.750	1.125	1.252	.531	1/2-13	222	1/2-13X2.50
W58-24-20	W63-24-20	1.50	1.25	3.06	3.75	1.250	2.625	1.500	.690	1.750	1.250	1.502	.531	1/2-13	222	1/2-13X2.50
W58-24-24	W63-24-24	1.50	1.50	3.75	4.44	1.437	3.125	1.750	.750	2.115	1.375	1.502	.656	5/8-11	225	5/8-11X3.00
W58-28-24	W63-28-24	1.75	1.50	3.75	4.44	1.437	3.125	1.750	.750	2.115	1.500	1.752	.656	5/8-11	225	5/8-11X3.00
W58-32-32	W63-32-32	2.00	2.00	4.50	5.25	1.750	3.812	1.750	.875	2.490	1.875	2.002	.781	3/4-10	228	3/4-10X3.00
W58-36-32	W63-36-32	2.25	2.00	4.50	5.25	1.750	3.812	1.750	.875	2.490	2.000	2.252	.781	3/4-10	228	3/4-10X3.00

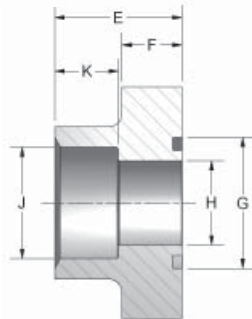
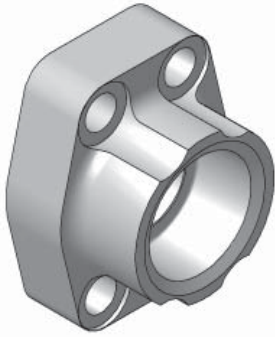


Figure 1

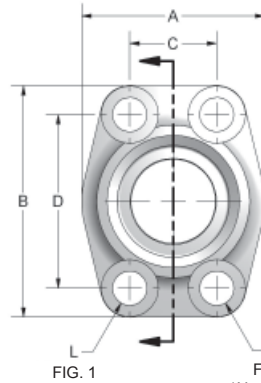


FIG. 1
FIG. 2
*No Spotface

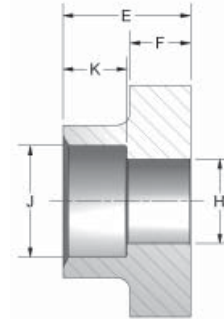


Figure 2

CODE 61 DEEP SOCKET WELD - PIPE

PART NO. O-RING FIG. 1	PART NO. FLAT FACE FIG. 2	PIPE SIZE	PAD SIZE	A	B	C	D	E	F	G	H	J	K	L	M UNC-2B	MOUNTING HARDWARE	
																O-RING	SHCS
W31-8-8	W3-8-8	.50	.50	1.81	2.13	.688	1.500	1.42	.63	1.000	.502	.855	.75	.344	5/16-18	210	5/16-18X1.25
W31-12-12	W3-12-12	.75	.75	1.97	2.56	.875	1.875	1.42	.71	1.250	.752	1.062	.75	.406	3/8-16	214	3/8-16X1.50
W31-16-16	W3-16-16	1.00	1.00	2.17	2.75	1.031	2.062	1.50	.71	1.560	1.002	1.328	.75	.406	3/8-16	219	3/8-16X1.50
W31-20-20	W3-20-20	1.25	1.25	2.68	3.12	1.188	2.312	1.61	.83	1.750	1.252	1.672	.87	.469	7/16-14	222	7/16-14X1.75
W31-24-24	W3-24-24	1.50	1.50	3.07	3.66	1.406	2.750	1.77	.98	2.115	1.502	1.922	.94	.531	1/2-13	225	1/2-13X1.75
W31-32-32	W3-32-32	2.00	2.00	3.54	4.00	1.688	3.062	1.77	.98	2.490	2.002	2.406	1.02	.531	1/2-13	228	1/2-13X1.75
W31-40-40	W3-40-40	2.50	2.50	4.09	4.49	2.000	3.500	1.97	.98	2.995	2.502	2.908	1.18	.531	1/2-13	232	1/2-13X1.75
W31-48-48	W3-48-48	3.00	3.00	4.88	5.28	2.438	4.188	1.97	1.06	3.615	3.002	3.547	1.34	.656	5/8-11	237	5/8-11X2.00

CODE 62 DEEP SOCKET WELD - PIPE

PART NO. O-RING FIG. 1	PART NO. FLAT FACE FIG. 2	PIPE SIZE	PAD SIZE	A	B	C	D	E	F	G	H	J	K	L	M UNC-2B	MOUNTING HARDWARE	
																O-RING	SHCS
W81-8-8	W80-8-8	.50	.50	1.81	2.21	.718	1.594	1.42	.63	1.000	.502	.855	.75	.344	5/16-18	210	5/16-18X1.25
W81-12-12	W80-12-12	.75	.75	2.17	2.80	.937	2.000	1.38	.83	1.250	.752	1.062	.87	.406	3/8-16	214	3/8-16X1.50
W81-16-16	W80-16-16	1.00	1.00	2.56	3.19	1.093	2.250	1.65	.98	1.560	1.002	1.328	.87	.492	7/16-14	219	7/16-14X1.75
W81-20-20	W80-20-20	1.25	1.25	3.07	3.75	1.250	2.625	1.77	1.06	1.750	1.252	1.672	.98	.531	1/2-13	222	1/2-13X1.75
W81-24-24	W80-24-24	1.50	1.50	3.70	4.41	1.437	3.125	1.97	1.18	2.115	1.502	1.922	1.10	.656	5/8-11	225	5/8-11X2.25
W81-32-32	W80-32-32	2.00	2.00	4.50	5.28	1.750	3.812	2.56	1.46	2.490	2.002	2.406	.94	.781	3/4-10	228	3/4-10X2.75

FLOW, NEEDLE & CHECK VALVES

HYDRAULIC BALL VALVES

WELD COUPLINGS

FLANGES

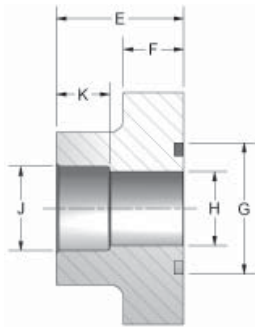
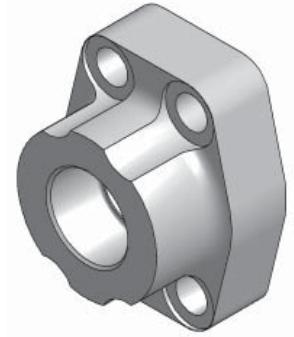


Figure 1

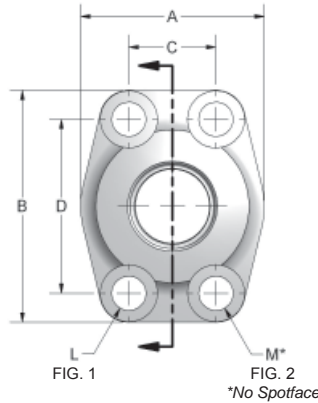


FIG. 1

FIG. 2

*No Spotface

Figure 2

CODE 61 DEEP SOCKET WELD - TUBE

PART NO. O-RING FIG. 1	PART NO. FLAT FACE FIG. 2	TUBE SIZE	PAD SIZE	A	B	C	D	E	F	G	H	J	K	L	M UNC-2B	MOUNTING HARDWARE	
																O-RING	SHCS
W51-12-12	W5-12-12	.75	.75	1.97	2.56	.875	1.875	1.42	.71	1.250	.625	.752	.560	.406	3/8-16	214	3/8-16X1.50
W51-16-12	W5-16-12	1.00	.75	1.97	2.56	.875	1.875	1.42	.71	1.250	.750	1.002	.560	.406	3/8-16	214	3/8-16X1.50
W51-16-16	W5-16-16	1.00	1.00	2.17	2.75	1.031	2.062	1.50	.71	1.560	.875	1.002	.630	.406	3/8-16	219	3/8-16X1.50
W51-20-16	W5-20-16	1.25	1.00	2.17	2.75	1.031	2.062	1.50	.71	1.560	1.000	1.252	.630	.406	3/8-16	219	3/8-16X1.50
W51-20-20	W5-20-20	1.25	1.25	2.68	3.12	1.188	2.312	1.61	.83	1.750	1.125	1.252	.690	.469	7/16-14	222	7/16-14X1.75
W51-24-20	W5-24-20	1.50	1.25	2.68	3.12	1.188	2.312	1.61	.83	1.750	1.250	1.502	.690	.469	7/16-14	222	7/16-14X1.75
W51-24-24	W5-24-24	1.50	1.50	3.07	3.66	1.406	2.750	1.77	.98	2.115	1.375	1.502	.750	.531	1/2-13	225	1/2-13X1.75
W51-28-24	W5-28-24	1.75	1.50	3.07	3.66	1.406	2.750	1.77	.98	2.115	1.500	1.752	.750	.531	1/2-13	225	1/2-13X1.75
W51-32-32	W5-32-32	2.00	2.00	3.54	4.00	1.688	3.062	1.77	.98	2.490	1.875	2.002	.870	.531	1/2-13	228	1/2-13X1.75
W51-36-32	W5-36-32	2.25	2.00	3.54	4.00	1.688	3.062	1.77	.98	2.490	2.000	2.252	.870	.531	1/2-13	228	1/2-13X1.75
W51-40-40	W5-40-40	2.50	2.50	4.09	4.49	2.000	3.500	1.97	.98	2.995	2.375	2.502	1.000	.531	1/2-13	232	1/2-13X1.75
W51-44-40	W5-44-40	2.75	2.50	4.09	4.49	2.000	3.500	1.97	.98	2.995	2.500	2.752	1.000	.531	1/2-13	232	1/2-13X1.75

CODE 62 DEEP SOCKET WELD - TUBE

PART NO. O-RING FIG. 1	PART NO. FLAT FACE FIG. 2	TUBE SIZE	PAD SIZE	A	B	C	D	E	F	G	H	J	K	L	M UNC-2B	MOUNTING HARDWARE	
																O-RING	SHCS
W83-12-12	W82-12-12	.75	.75	2.17	2.80	.937	2.000	1.38	.83	1.250	.627	.752	.560	.406	3/8-16	214	3/8-16X1.50
W83-16-12	W82-16-12	1.00	.75	2.17	2.80	.937	2.000	1.38	.83	1.250	.752	1.002	.560	.406	3/8-16	214	3/8-16X1.50
W83-16-16	W82-16-16	1.00	1.00	2.56	3.19	1.093	2.250	1.65	.98	1.560	.877	1.002	.630	.492	7/16-14	219	7/16-14X1.75
W83-20-16	W82-20-16	1.25	1.00	2.56	3.19	1.093	2.250	1.65	.98	1.560	1.002	1.252	.630	.492	7/16-14	219	7/16-14X1.75
W83-20-20	W82-20-20	1.25	1.25	3.07	3.75	1.250	2.625	1.77	1.06	1.750	1.127	1.252	.690	.531	1/2-13	222	1/2-13X1.75
W83-24-20	W82-24-20	1.50	1.25	3.07	3.75	1.250	2.625	1.77	1.06	1.750	1.252	1.502	.690	.531	1/2-13	222	1/2-13X1.75
W83-24-24	W82-24-24	1.50	1.50	3.70	4.41	1.437	3.125	1.97	1.18	2.115	1.377	1.502	.750	.656	5/8-11	225	5/8-11X2.25
W83-28-24	W82-28-24	1.75	1.50	3.70	4.41	1.437	3.125	1.97	1.18	2.115	1.502	1.752	.750	.656	5/8-11	225	5/8-11X2.25
W83-32-32	W82-32-32	2.00	2.00	4.50	5.28	1.750	3.812	2.56	1.46	2.490	1.877	2.002	.870	.781	3/4-10	228	3/4-10X2.75
W83-36-32	W82-36-32	2.25	2.00	4.50	5.28	1.750	3.812	2.56	1.46	2.490	2.002	2.252	.870	.781	3/4-10	228	3/4-10X2.75

Butt Weld Pipe

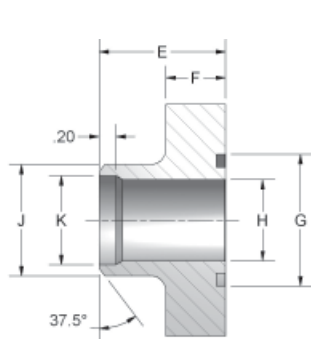
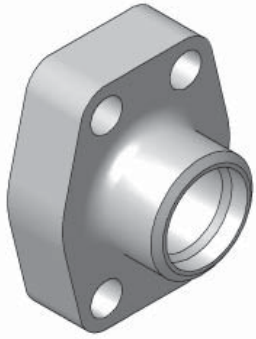


Figure 1

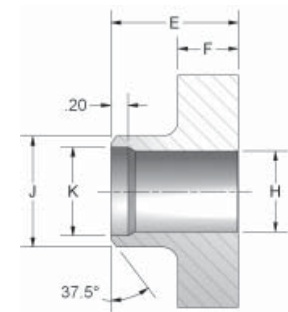
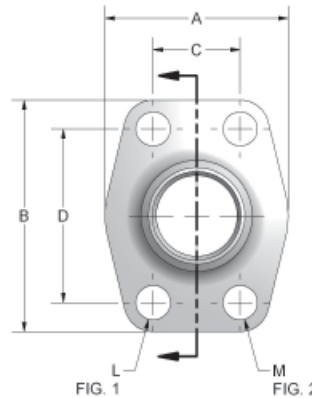


Figure 2

FLOW, NEEDLE & CHECK VALVES

HYDRAULIC BALL VALVES

WELD COUPLINGS

FLANGES

CODE 61 BUTT WELD - SCHEDULE 40 PIPE

PART NO. O-RING FIG. 1	PART NO. FLAT FACE FIG. 2	PIPE SIZE	PAD SIZE	A	B	C	D	E	F	G	H	J	K	L	M UNC-2B	MOUNTING HARDWARE	
																O-RING	SHCS
W35-8	W34-8	.50	.50	1.81	2.13	.688	1.500	1.42	.63	1.000	.548	.840	.624	.344	5/16-18	210	5/16-18X1.25
W35-12	W34-12	.75	.75	1.97	2.56	.875	1.875	1.42	.71	1.250	.744	1.050	.846	.406	3/8-16	214	3/8-16X1.50
W35-16	W34-16	1.00	1.00	2.17	2.75	1.031	2.062	1.50	.71	1.560	.959	1.315	1.051	.406	3/8-16	219	3/8-16X1.50
W35-20	W34-20	1.25	1.25	2.68	3.12	1.188	2.312	1.61	.83	1.750	1.280	1.660	1.382	.469	7/16-14	222	7/16-14X1.75
W35-24	W34-24	1.50	1.50	3.07	3.66	1.406	2.750	1.73	.98	2.115	1.502	1.900	1.612	.531	1/2-13	225	1/2-13X1.75
W35-32	W34-32	2.00	2.00	3.54	4.00	1.688	3.062	1.77	.98	2.490	1.941	2.375	2.069	.531	1/2-13	228	1/2-13X1.75
W35-40	W34-40	2.50	2.50	4.09	4.49	2.000	3.500	1.97	.98	2.995	2.325	2.875	2.471	.531	1/2-13	232	1/2-13X1.75
W35-48	W34-48	3.00	3.00	4.88	5.28	2.438	4.188	1.97	1.06	3.615	2.902	3.500	3.070	.656	5/8-11	237	5/8-11X2.00

CODE 61 BUTT WELD - SCHEDULE 80 PIPE

PART NO. O-RING FIG. 1	PART NO. FLAT FACE FIG. 2	PIPE SIZE	PAD SIZE	A	B	C	D	E	F	G	H	J	K	L	M UNC-2B	MOUNTING HARDWARE	
																O-RING	SHCS
W24-8	W23-8	.50	.50	1.81	2.13	.688	1.500	1.42	.63	1.000	.548	.840	SCHEDULE 40 ONLY	.344	5/16-18	210	5/16-18X1.25
W24-12	W23-12	.75	.75	1.97	2.56	.875	1.875	1.42	.71	1.250	.744	1.050		.406	3/8-16	214	3/8-16X1.50
W24-16	W23-16	1.00	1.00	2.17	2.75	1.031	2.062	1.50	.71	1.560	.959	1.315		.406	3/8-16	219	3/8-16X1.50
W24-20	W23-20	1.25	1.25	2.68	3.12	1.188	2.312	1.61	.83	1.750	1.280	1.660		.469	7/16-14	222	7/16-14X1.75
W24-24	W23-24	1.50	1.50	3.07	3.66	1.406	2.750	1.73	.98	2.115	1.502	1.900		.531	1/2-13	225	1/2-13X1.75
W24-32	W23-32	2.00	2.00	3.54	4.00	1.688	3.062	1.77	.98	2.490	1.941	2.375		.531	1/2-13	228	1/2-13X1.75
W24-40	W23-40	2.50	2.50	4.09	4.49	2.000	3.500	1.97	.98	2.995	2.325	2.875		.531	1/2-13	232	1/2-13X1.75
W24-48	W23-48	3.00	3.00	4.88	5.28	2.438	4.188	1.97	1.06	3.615	2.902	3.500		.656	5/8-11	237	5/8-11X2.00

CODE 61 BUTT WELD - SCHEDULE 160 PIPE

PART NO. O-RING FIG. 1	PART NO. FLAT FACE FIG. 2	PIPE SIZE	PAD SIZE	A	B	C	D	E	F	G	H	J	K	L	M UNC-2B	MOUNTING HARDWARE	
																O-RING	SHCS
W27-8	W25-8	.50	.50	1.81	2.13	.688	1.500	1.42	.63	1.000	.466	.840	SCHEDULE 40 ONLY	.344	5/16-18	210	5/16-18X1.25
W27-12	W25-12	.75	.75	1.97	2.56	.875	1.875	1.42	.71	1.250	.614	1.050		.406	3/8-16	214	3/8-16X1.50
W27-16	W25-16	1.00	1.00	2.17	2.75	1.031	2.062	1.50	.71	1.560	.817	1.315		.406	3/8-16	219	3/8-16X1.50
W27-20	W25-20	1.25	1.25	2.68	3.12	1.188	2.132	1.61	.83	1.750	1.162	1.660		.469	7/16-14	222	7/16-14X1.75
W27-24	W25-24	1.50	1.50	3.07	3.66	1.406	2.750	1.73	.98	2.115	1.340	1.900		.531	1/2-13	225	1/2-13X1.75
W27-32	W25-32	2.00	2.00	3.54	4.00	1.688	3.062	1.77	.98	2.490	1.689	2.375		.531	1/2-13	228	1/2-13X1.75
W27-40	W25-40	2.50	2.50	4.09	4.49	2.000	3.500	1.97	.98	2.995	2.127	2.875		.531	1/2-13	232	1/2-13X1.75
W27-48	W25-48	3.00	3.00	4.88	5.28	2.438	4.188	1.97	1.06	3.615	2.626	3.500		.656	5/8-11	237	5/8-11X2.00

*NOTE: Also available in sizes 3 1/2", 4", and 5". Consult factory for specifications.

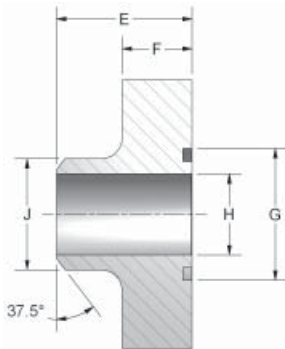


Figure 1

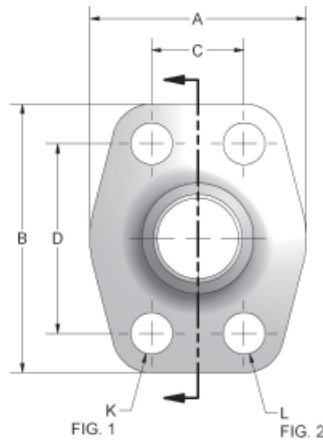


FIG. 1 FIG. 2

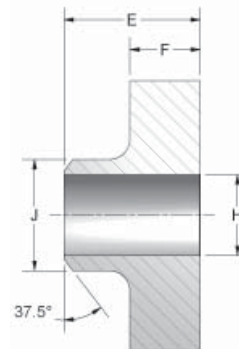
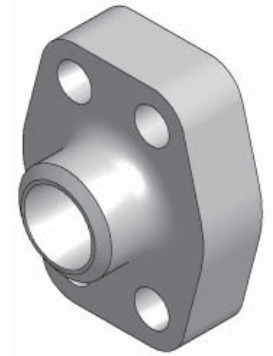


Figure 2



FLOW, NEEDLE & CHECK VALVES

HYDRAULIC BALL VALVES

WELD COUPLINGS

FLANGES

CODE 62 BUTT WELD - SCHEDULE 80 PIPE

PART NO. O-RING FIG. 1	PART NO. FLAT FACE FIG. 2	PIPE SIZE	PAD SIZE	A	B	C	D	E	F	G	H	J	K	L UNC-2B	MOUNTING HARDWARE	
															O-RING	SHCS
W28-8	W26-8	.50	.50	1.81	2.21	.718	1.594	1.42	.63	1.000	.548	.840	.344	5/16-18	210	5/16-18X1.25
W28-12	W26-12	.75	.75	2.17	2.80	.937	2.000	1.38	.83	1.250	.744	1.050	.406	3/8-16	214	3/8-16X1.50
W28-16	W26-16	1.00	1.00	2.56	3.19	1.093	2.250	1.61	.83	1.560	.959	1.315	.492	7/16-14	219	7/16-14X1.75
W28-20	W26-20	1.25	1.25	3.07	3.75	1.250	2.625	1.73	.98	1.750	1.280	1.660	.531	1/2-13	222	1/2-13X1.75
W28-24	W26-24	1.50	1.50	3.70	4.41	1.437	3.125	2.17	1.18	2.115	1.502	1.900	.656	5/8-11	225	5/8-11X2.25
W28-32	W26-32	2.00	2.00	4.50	5.28	1.750	3.812	2.56	1.46	2.490	1.941	2.375	.781	3/4-10	228	3/4-10X3.00
*W28-40	*W26-40	2.50	2.50	5.00	6.88	2.312	4.875	2.37	1.50	2.995	2.325	2.875	.940	7/8-9	232	7/8-9X3.00
*W28-48	*W26-48	3.00	3.00	6.00	8.50	2.812	6.000	2.96	2.00	3.615	2.902	3.500	1.190	1 1/8-7	237	1 1/8-7X4.00

CODE 62 BUTT WELD - SCHEDULE 160 PIPE

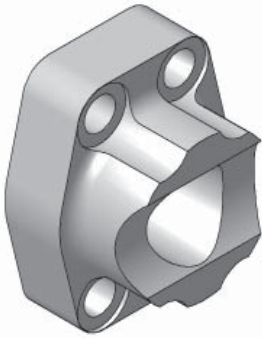
PART NO. O-RING FIG. 1	PART NO. FLAT FACE FIG. 2	PIPE SIZE	PAD SIZE	A	B	C	D	E	F	G	H	J	K	L UNC-2B	MOUNTING HARDWARE	
															O-RING	SHCS
W30-8	W29-8	.50	.50	1.81	2.21	.718	1.594	1.42	.63	1.000	.466	.840	.344	5/16-18	210	5/16-18X1.25
W30-12	W29-12	.75	.75	2.17	2.80	.937	2.000	1.38	.83	1.250	.614	1.050	.406	3/8-16	214	3/8-16X1.50
W30-16	W29-16	1.00	1.00	2.56	3.19	1.093	2.250	1.61	.83	1.560	.817	1.315	.492	7/16-14	219	7/16-14X1.75
W30-20	W29-20	1.25	1.25	3.07	3.75	1.250	2.625	1.73	.98	1.750	1.162	1.660	.531	1/2-13	222	1/2-13X1.75
W30-24	W29-24	1.50	1.50	3.70	4.41	1.437	3.125	2.17	1.18	2.115	1.340	1.900	.656	5/8-11	225	5/8-11X2.25
W30-32	W29-32	2.00	2.00	4.50	5.28	1.750	3.812	2.56	1.46	2.490	1.689	2.375	.781	3/4-10	228	3/4-10X3.00
*W30-40	*W29-40	2.50	2.50	5.00	6.88	2.312	4.875	2.37	1.50	2.995	2.127	2.875	.940	7/8-9	232	7/8-9X3.00
*W30-48	*W29-48	3.00	3.00	6.00	8.50	2.812	6.000	2.96	2.00	3.615	2.626	3.500	1.190	1 1/8-7	237	1 1/8-7X4.00

CODE 62 BUTT WELD - SCHEDULE XXS PIPE

PART NO. O-RING FIG. 1	PART NO. FLAT FACE FIG. 2	PIPE SIZE	PAD SIZE	A	B	C	D	E	F	G	H	J	K	L UNC-2B	MOUNTING HARDWARE	
															O-RING	SHCS
W33-8	W32-8	.50	.50	1.81	2.21	.718	1.594	1.42	.63	1.000	.254	.840	.344	5/16-18	210	5/16-18X1.25
W33-12	W32-12	.75	.75	2.17	2.80	.937	2.000	1.38	.83	1.250	.436	1.050	.406	3/8-16	214	3/8-16X1.50
W33-16	W32-16	1.00	1.00	2.56	3.19	1.093	2.250	1.61	.83	1.560	.601	1.315	.492	7/16-14	219	7/16-14X1.75
W33-20	W32-20	1.25	1.25	3.07	3.75	1.250	2.625	1.73	.98	1.750	.898	1.660	.531	1/2-13	222	1/2-13X1.75
W33-24	W32-24	1.50	1.50	3.70	4.41	1.437	3.125	2.17	1.18	2.115	1.102	1.900	.656	5/8-11	225	5/8-11X2.25
W33-32	W32-32	2.00	2.00	4.50	5.28	1.750	3.812	2.56	1.46	2.490	1.505	2.375	.781	3/4-10	228	3/4-10X3.00
*W33-40	*W32-40	2.50	2.50	5.00	6.88	2.312	4.875	2.37	1.50	2.995	1.773	2.875	.940	7/8-9	232	7/8-9X3.00
*W33-48	*W32-48	3.00	3.00	6.00	8.50	2.812	6.000	2.96	2.00	3.615	2.302	3.500	1.190	1 1/8-7	237	1 1/8-7X4.00

*Flange Shape Rectangle
3000 PSI Max Working Pressure

Saddle Weld



FLOW, NEEDLE & CHECK VALVES

HYDRAULIC BALL VALVES

WELD COUPLINGS

FLANGES

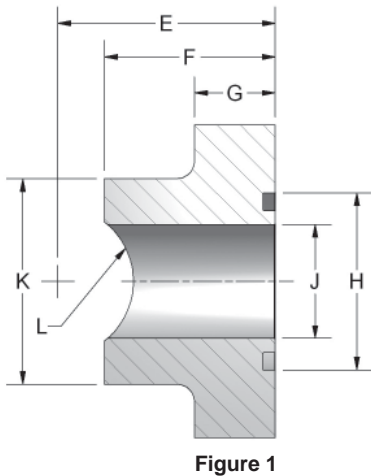


Figure 1

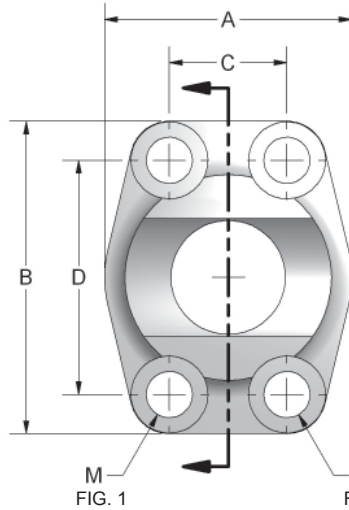


FIG. 1

FIG. 2

*No Spotface

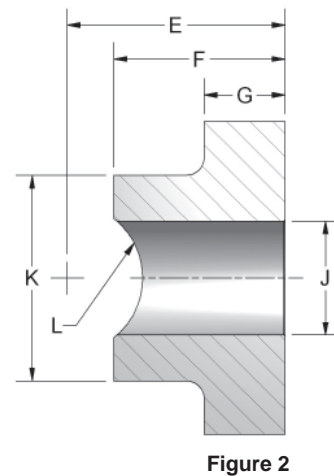


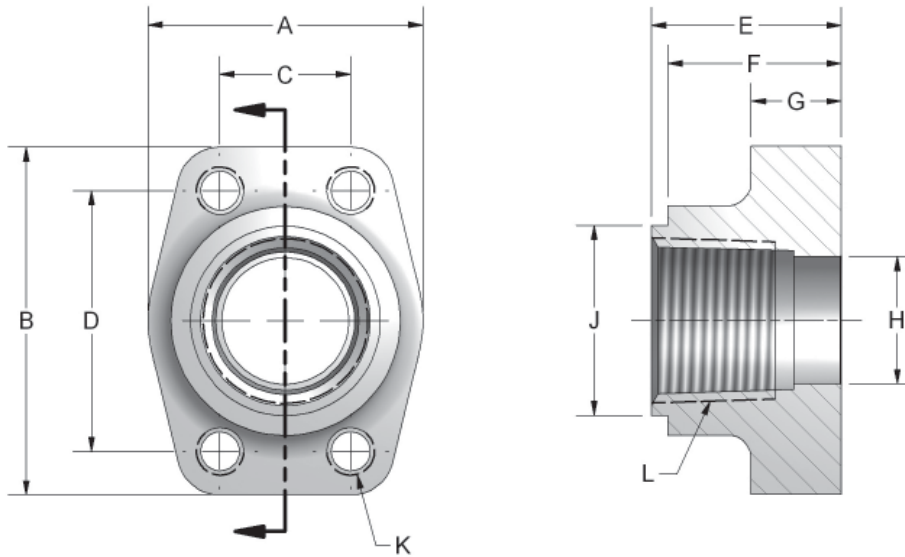
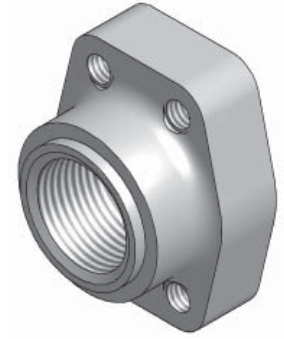
Figure 2

CODE 61 SADDLE WELD - PIPE

PART NO. O-RING FIG. 1	PART NO. FLAT FACE FIG. 2	PIPE SIZE	PAD SIZE	A	B	C	D	E	F	G	H	J	K	L	M	N UNC-2B	MOUNTING HARDWARE	
																	O-RING	SHCS
W8-12-12	W7-12-12	.75	.75	1.97	2.56	.875	1.875	1.775	1.42	.71	1.250	.752	1.54	.532	.406	3/8-16	214	3/8-16X1.50
W8-16-16	W7-16-16	1.00	1.00	2.17	2.75	1.031	2.062	1.912	1.50	.71	1.560	1.002	1.81	.665	.406	3/8-16	219	3/8-16X1.50
W8-20-20	W7-20-20	1.25	1.25	2.68	3.12	1.188	2.312	2.146	1.61	.83	1.750	1.252	2.22	.837	.469	7/16-14	222	7/16-14X1.75
W8-24-24	W7-24-24	1.50	1.50	3.07	3.66	1.406	2.750	2.290	1.77	.98	2.115	1.502	2.50	.957	.531	1/2-13	225	1/2-13X1.75
W8-32-32	W7-32-32	2.00	2.00	3.54	4.00	1.688	3.062	2.340	1.77	.98	2.490	2.002	3.12	1.200	.531	1/2-13	228	1/2-13X1.75
W8-40-40	W7-40-40	2.50	2.50	4.09	4.49	2.000	3.500	2.660	1.97	.98	2.995	2.502	3.62	1.451	.531	1/2-13	232	1/2-13X1.75

CODE 61 SADDLE WELD - TUBE

PART NO. O-RING FIG. 1	PART NO. FLAT FACE FIG. 2	TUBE SIZE	PAD SIZE	A	B	C	D	E	F	G	H	J	K	L	M	N UNC-2B	MOUNTING HARDWARE	
																	O-RING	SHCS
W87-12-12	W69-12-12	.75	.75	1.97	2.56	.875	1.875	1.420	1.42	.71	1.250	.752	1.54	.382	.406	3/8-16	214	3/8-16X1.50
W87-16-12	W69-16-12	1.00	.75	1.97	2.56	.875	1.875	1.737	1.42	.71	1.250	.752	1.54	.507	.406	3/8-16	214	3/8-16X1.50
W87-16-16	W69-16-16	1.00	1.00	2.17	2.75	1.031	2.062	1.500	1.50	.71	1.560	1.002	1.81	.507	.406	3/8-16	219	3/8-16X1.50
W87-20-16	W69-20-16	1.25	1.00	2.17	2.75	1.031	2.062	1.858	1.50	.71	1.560	1.002	1.81	.632	.406	3/8-16	219	3/8-16X1.50
W87-20-20	W69-20-20	1.25	1.25	2.68	3.12	1.188	2.312	1.665	1.61	.83	1.750	1.252	2.22	.632	.469	7/16-14	222	7/16-14X1.75
W87-24-20	W69-24-20	1.50	1.25	2.68	3.12	1.188	2.312	2.022	1.61	.83	1.750	1.252	2.22	.757	.469	7/16-14	222	7/16-14X1.75
W87-28-24	W69-28-24	1.75	1.50	3.07	3.66	1.406	2.750	2.198	1.77	.98	2.115	1.502	2.50	.882	.531	1/2-13	225	1/2-13X1.75
W87-32-32	W69-32-32	2.00	2.00	3.54	4.00	1.688	3.062	2.262	1.77	.98	2.490	1.691	2.38	1.007	.531	1/2-13	228	1/2-13X1.75
W87-36-32	W69-36-32	2.25	2.00	3.54	4.00	1.688	3.062	2.247	1.77	.98	2.490	2.002	3.12	1.132	.531	1/2-13	228	1/2-13X1.75



CODE 61 NPTF TANK PILOT

PART NO. FLAT FACE	PIPE SIZE	PAD SIZE	A	B	C	D	E	F	G	H	J	K UNC-2B	L NPTF
W22-12	.750	.750	1.97	2.56	.875	1.875	1.42	1.30	.71	.752	1.375	3/8-16	3/4-14
W22-16	1.00	1.00	2.17	2.75	1.031	2.062	1.50	1.37	.71	1.002	1.500	3/8-16	1-11.5
W22-20	1.25	1.25	2.68	3.12	1.188	2.312	1.61	1.49	.83	1.252	1.750	7/16-14	1 1/4-11.5
W22-24	1.50	1.50	3.07	3.66	1.406	2.750	1.77	1.64	.98	1.502	2.125	1/2-13	1 1/2-11.5
W22-32	2.00	2.00	3.54	4.00	1.688	3.062	1.77	1.65	.98	2.002	2.500	1/2-13	2-11.5
W22-40	2.50	2.50	4.09	4.49	2.000	3.500	1.97	1.85	.98	2.502	3.250	1/2-13	2 1/2-8
W22-48	3.00	3.00	4.88	5.28	2.438	4.188	1.97	1.85	1.06	3.002	3.625	5/8-11	3-8
W22-56	3.50	3.50	5.35	5.98	2.750	4.750	1.89	1.77	1.06	3.504	4.125	5/8-11	3 1/2-8
W22-64	4.00	4.00	5.75	6.38	3.062	5.125	1.89	1.77	1.06	3.898	4.625	5/8-11	4-8

Female NPTF thread added to facilitate pump suction line and return line applications.

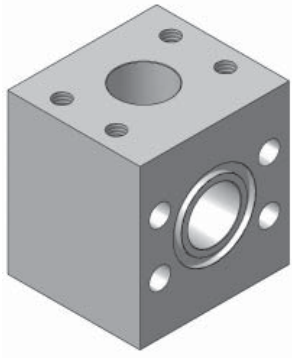
FLOW, NEEDLE & CHECK VALVES

HYDRAULIC BALL VALVES

WELD COUPLINGS

FLANGES

Tee Junction Block



FLOW, NEEDLE & CHECK VALVES

HYDRAULIC BALL VALVES

WELD COUPLINGS

FLANGES

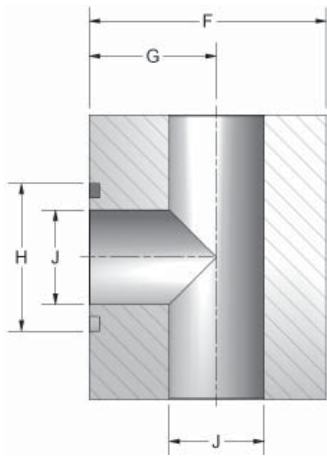


Figure 1

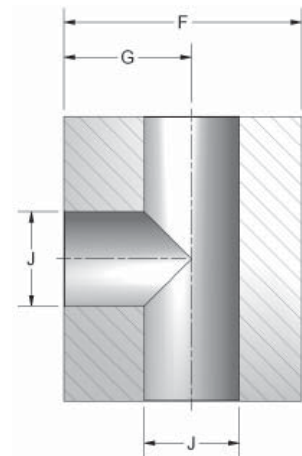
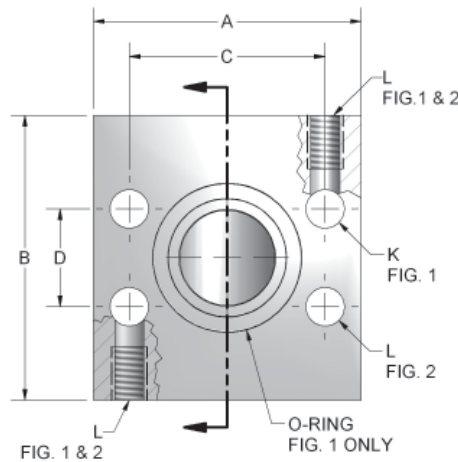


Figure 2

CODE 61 TEE JUNCTION BLOCK

PART NO. O-RING FIG. 1	PART NO. FLAT FACE FIG. 2	PAD SIZE	A	B	C	D	E	F	G	H	J	K	L UNC-2B	MOUNTING HARDWARE	
														O-RING	SHCS
W17-12	W16-12	.75	2.62	2.75	1.875	.875	1.38	2.25	1.22	1.250	.75	.406	3/8-16	214	3/8-16X3.00
W17-16	W16-16	1.00	2.82	3.00	2.062	1.031	1.50	2.50	1.34	1.560	1.00	.406	3/8-16	219	3/8-16X3.25
W17-20	W16-20	1.25	3.19	3.50	2.312	1.188	1.75	3.00	1.56	1.750	1.25	.469	7/16-14	222	7/16-14X4.00
W17-24	W16-24	1.50	3.75	4.00	2.750	1.406	2.00	3.50	1.88	2.115	1.50	.531	1/2-13	225	1/2-13X4.50
W17-32	W16-32	2.00	4.00	4.25	3.062	1.688	2.12	4.00	2.09	2.490	2.00	.531	1/2-13	228	1/2-13X5.00

CODE 62 TEE JUNCTION BLOCK

PART NO. O-RING FIG. 1	PART NO. FLAT FACE FIG. 2	PAD SIZE	A	B	C	D	E	F	G	H	J	K	L UNC-2B	MOUNTING HARDWARE	
														O-RING	SHCS
W19-12	W18-12	.75	2.81	3.00	2.00	.937	1.50	2.50	1.310	1.250	.750	.406	3/8-16	214	3/8-16X3.25
W19-16	W18-16	1.00	3.19	3.50	2.25	1.093	1.75	3.00	1.620	1.560	1.000	.492	7/16-14	219	7/16-14X4.00
W19-20	W18-20	1.25	3.75	4.00	2.625	1.250	2.00	3.50	1.880	1.750	1.250	.531	1/2-13	222	1/2-13X4.50
W19-24	W18-24	1.50	4.50	4.50	3.125	1.437	2.25	4.00	2.120	2.115	1.500	.656	5/8-11	225	5/8-11X5.00
W19-32	W18-32	2.00	5.25	5.00	3.812	1.750	2.50	5.00	2.750	2.490	1.940	.781	3/4-10	228	3/4-10X6.00

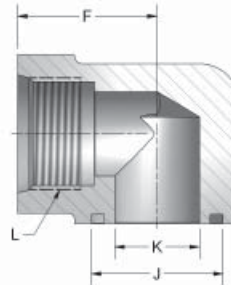
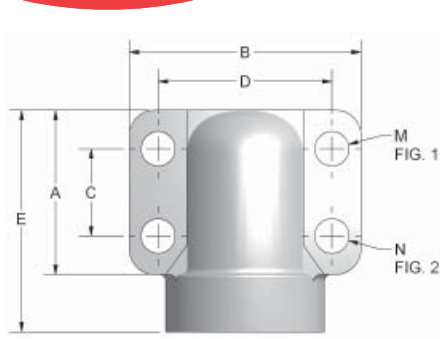


Figure 1

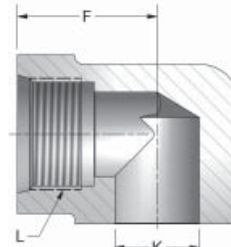
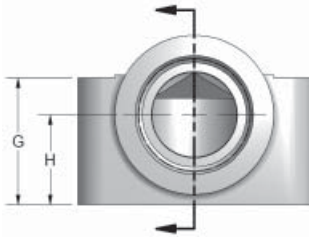
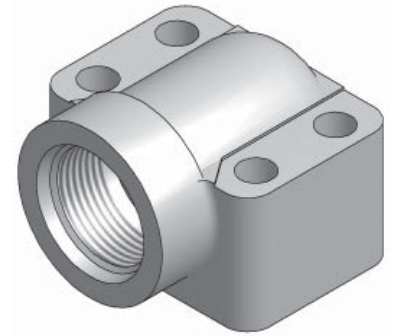


Figure 2

CODE 61 ELBOW SAE STRAIGHT THREAD

PART NO. O-RING FIG. 1	PART NO. FLAT FACE FIG. 2	PAD SIZE	A	B	C	D	E	F	G	H	J	K	L UN-2B	M	N UNC-2B	MOUNTING HARDWARE	
																O-RING	SHCS
W164-12-12	W165-12-12	.75	1.69	2.56	.875	1.875	2.28	1.44	1.25	.875	1.250	.752	1-1/16-12	.406	3/8-16	214	3/8-16X2.00
W164-16-16	W165-16-16	1.00	1.94	2.75	1.031	2.062	2.62	1.66	1.50	1.062	1.560	1.002	1-5/16-12	.406	3/8-16	219	3/8-16X2.25
W164-20-20	W165-20-20	1.25	2.19	3.12	1.188	2.312	3.00	1.91	1.81	1.188	1.750	1.252	1-5/8-12	.469	7/16-14	222	7/16-14X2.75
W164-24-24	W165-24-24	1.50	2.56	3.69	1.406	2.750	3.33	2.05	2.00	1.312	2.115	1.502	1-7/8-12	.531	1/2-13	225	1/2-13X3.00
W164-32-32	W165-32-32	2.00	3.06	4.33	1.688	3.062	3.81	2.28	2.50	1.656	1.490	2.002	2-1/2-12	.531	1/2-13	228	1/2-13X3.50

CODE 61 ELBOW NPTF THREAD

PART NO. O-RING FIG. 1	PART NO. FLAT FACE FIG. 2	PAD SIZE	A	B	C	D	E	F	G	H	J	K	L NPTF	M	N UNC-2B	MOUNTING HARDWARE	
																O-RING	SHCS
W168-12-12	W170-12-12	.75	1.69	2.56	.875	1.875	2.28	1.44	1.25	.875	1.250	.752	.75	.406	3/8-16	214	3/8-16X2.00
W168-16-16	W170-16-16	1.00	1.94	2.75	1.031	2.062	2.62	1.66	1.50	1.062	1.560	1.002	1.00	.406	3/8-16	219	3/8-16X2.25
W168-20-20	W170-20-20	1.25	2.19	3.12	1.188	2.312	3.00	1.91	1.81	1.188	1.750	1.252	1.25	.469	7/16-14	222	7/16-14X2.75
W168-24-24	W170-24-24	1.50	2.56	3.69	1.406	2.750	3.33	2.05	2.00	1.312	2.115	1.502	1.50	.531	1/2-13	225	1/2-13X3.00
W168-32-32	W170-32-32	2.00	3.06	4.33	1.688	3.062	3.81	2.28	2.50	1.656	2.490	2.002	2.00	.531	1/2-13	228	1/2-13X3.50

CODE 62 ELBOW SAE STRAIGHT THREAD

PART NO. O-RING FIG. 1	PART NO. FLAT FACE FIG. 2	PAD SIZE	A	B	C	D	E	F	G	H	J	K	L UN-2B	M	N UNC-2B	MOUNTING HARDWARE	
																O-RING	SHCS
W184-12-12	W185-12-12	.75	1.94	2.75	.937	2.000	2.62	1.66	1.50	1.062	1.250	.752	1-1/16-12	.406	3/8-16	214	3/8-16X2.25
W184-16-16	W185-16-16	1.00	2.19	3.12	1.093	2.250	3.00	1.91	1.81	1.188	1.560	1.002	1-5/16-12	.492	7/16-14	219	7/16-14X2.50
W184-20-20	W185-20-20	1.25	2.56	3.69	1.250	2.625	3.32	2.05	2.00	1.312	1.750	1.252	1-5/8-12	.531	1/2-13	222	1/2-13X3.00
W184-24-24	W185-24-24	1.50	3.06	4.33	1.437	3.125	3.81	2.28	2.50	1.656	2.115	1.502	1-7/8-12	.656	5/8-11	225	5/8-11X3.50

CODE 62 ELBOW NPTF THREAD

PART NO. O-RING FIG. 1	PART NO. FLAT FACE FIG. 2	PAD SIZE	A	B	C	D	E	F	G	H	J	K	L NPTF	M	N UNC-2B	MOUNTING HARDWARE	
																O-RING	SHCS
W188-12-12	W180-12-12	.75	1.94	2.75	.937	2.000	2.62	1.66	1.50	1.062	1.250	.752	.75	.406	3/8-16	214	3/8-16X2.25
W188-16-16	W180-16-16	1.00	2.19	3.12	1.093	2.250	3.00	1.91	1.81	1.188	1.560	1.002	1.00	.492	7/16-14	219	7/16-14X2.50
W188-20-20	W180-20-20	1.25	2.56	3.69	1.250	2.625	3.32	2.05	2.00	1.312	1.750	1.252	1.25	.531	1/2-13	222	1/2-13X3.00
W188-24-24	W180-24-24	1.50	3.06	4.33	1.437	3.125	3.81	2.28	2.50	1.656	2.115	1.502	1.50	.656	5/8-11	225	5/8-11X3.50

Socket Weld Pipe Elbow

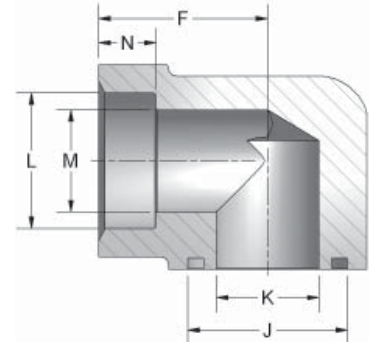
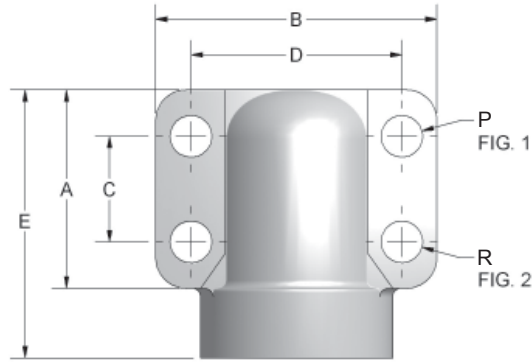
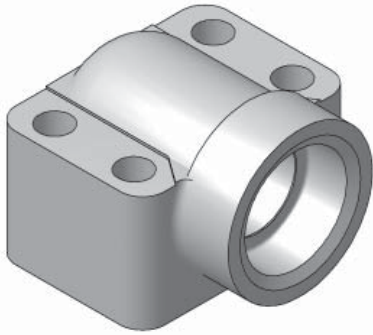


Figure 1

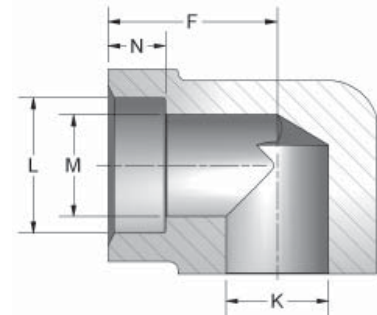
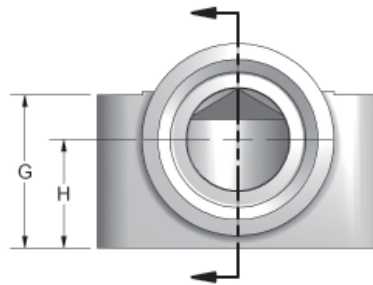


Figure 2

CODE 61 ELBOW SOCKET WELD - PIPE

PART NO. O-RING FIG. 1	PART NO. FLAT FACE FIG. 2	PAD SIZE	A	B	C	D	E	F	G	H	J	K	L	M	N	P	R UNC-2B	MOUNTING HARDWARE	
																		O-RING	SHCS
W176-12-12	W169-12-12	.75	1.69	2.56	.875	1.875	2.28	1.44	1.25	.875	1.250	.752	1.062	.75	.56	.406	3/8-16	214	3/8-16X2.00
W176-16-16	W169-16-16	1.00	1.94	2.75	1.031	2.062	2.62	1.66	1.50	1.062	1.560	1.002	1.328	1.00	.56	.406	3/8-16	219	3/8-16X2.25
W176-20-20	W169-20-20	1.25	2.19	3.12	1.188	2.312	3.00	1.91	1.81	1.188	1.750	1.252	1.672	1.25	.62	.469	7/16-14	222	7/16-14X2.75
W176-24-24	W169-24-24	1.50	2.56	3.69	1.406	2.750	3.33	2.05	2.00	1.312	2.115	1.502	1.922	1.50	.69	.531	1/2-13	225	1/2-13X3.00
W176-32-32	W169-32-32	2.00	3.06	4.33	1.688	3.062	3.81	2.28	2.50	1.656	2.490	2.002	2.406	2.00	.75	.531	1/2-13	228	1/2-13X3.50
W176-40-40	W169-40-40	2.50	3.56	5.00	2.000	3.500	4.66	2.88	2.78	1.900	2.995	2.502	2.906	2.50	.75	.531	1/2-13	232	1/2-13X5.00
W176-48-48	W169-48-48	3.00	4.00	5.50	2.438	4.188	5.00	3.00	3.35	2.400	3.615	3.002	3.547	3.00	.75	.656	5/8-11	237	5/8-11X6.00

CODE 62 ELBOW SOCKET WELD - PIPE

PART NO. O-RING FIG. 1	PART NO. FLAT FACE FIG. 2	PAD SIZE	A	B	C	D	E	F	G	H	J	K	L	M	N	P	R UNC-2B	MOUNTING HARDWARE	
																		O-RING	SHCS
W186-12-12	W189-12-12	.75	1.94	2.75	.937	2.000	2.62	1.66	1.50	1.062	1.250	.752	1.062	.75	.56	.406	3/8-16	214	3/8-16X2.25
W186-16-16	W189-16-16	1.00	2.19	3.12	1.093	2.250	3.00	1.91	1.81	1.188	1.560	1.002	1.328	1.00	.62	.492	7/16-14	219	7/16-14X2.50
W186-20-20	W189-20-20	1.25	2.56	3.69	1.250	2.625	3.32	2.05	2.00	1.312	1.750	1.252	1.672	1.25	.69	.531	1/2-13	222	1/2-13X3.00
W186-24-24	W189-24-24	1.50	3.06	4.33	1.437	3.125	3.81	2.28	2.50	1.656	2.115	1.502	1.922	1.50	.75	.656	5/8-11	225	5/8-11X3.50
W186-32-32	W189-32-32	2.00	3.56	5.00	1.750	3.812	4.66	2.88	2.69	1.900	2.490	2.002	2.406	2.00	.75	.781	3/4-10	228	3/4-10X4.50

FLOW, NEEDLE & CHECK VALVES

HYDRAULIC BALL VALVES

WELD COUPLINGS

FLANGES

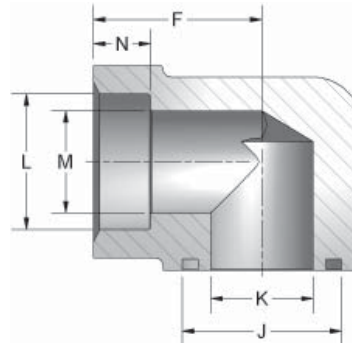
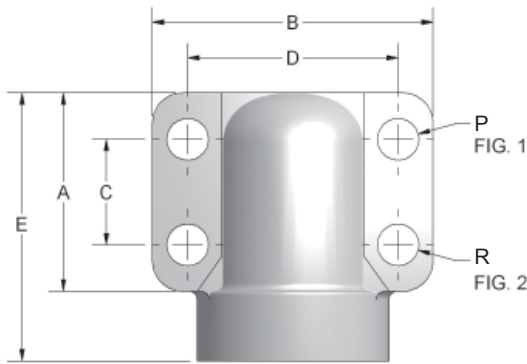
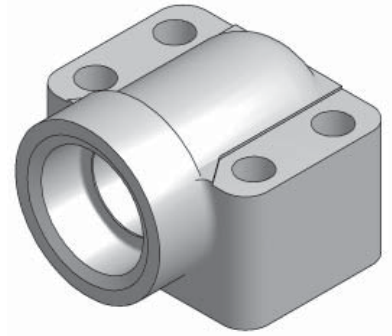


Figure 1

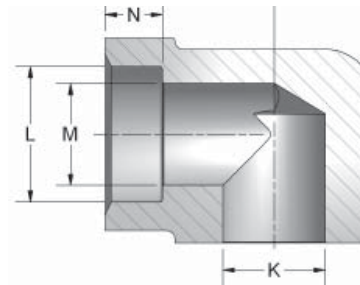
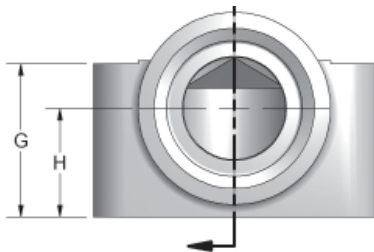


Figure 2

CODE 61 ELBOW SOCKET WELD - TUBE

PART NO. O-RING FIG. 1	PART NO. FLAT FACE FIG. 2	PAD SIZE	A	B	C	D	E	F	G	H	J	K	L	M	N	P	R UNC-2B	MOUNTING HARDWARE	
																		O-RING	SHCS
W172-12-12	W177-12-12	.75	1.69	2.56	.875	1.875	2.28	1.44	1.25	.875	1.250	.752	.752	.625	.312	.406	3/8-16	214	3/8-16X2.00
W172-16-12	W177-16-12	.75	1.69	2.56	.875	1.875	2.28	1.44	1.25	.875	1.250	.752	1.002	.750	.438	.406	3/8-16	214	3/8-16X2.00
W172-16-16	W177-16-16	1.00	1.94	2.75	1.031	2.062	2.62	1.66	1.50	1.062	1.560	1.002	1.002	.875	.438	.406	3/8-16	219	3/8-16X2.25
W172-20-16	W177-20-16	1.00	1.94	2.75	1.031	2.062	2.62	1.66	1.50	1.062	1.560	1.002	1.252	1.000	.500	.406	3/8-16	219	3/8-16X2.25
W172-20-20	W177-20-20	1.25	2.19	3.12	1.188	2.312	3.00	1.91	1.81	1.188	1.750	1.252	1.252	1.125	.500	.469	7/16-14	222	7/16-14X2.75
W172-24-20	W177-24-20	1.25	2.19	3.12	1.188	2.312	3.00	1.91	1.81	1.188	1.750	1.252	1.502	1.250	.562	.469	7/16-14	222	7/16-14X2.75
W172-24-24	W177-24-24	1.50	2.56	3.69	1.406	2.750	3.33	2.05	2.00	1.312	2.115	1.502	1.502	1.375	.562	.531	1/2-13	225	1/2-13X3.00
W172-28-24	W177-28-24	1.50	2.56	3.69	1.406	2.750	3.33	2.05	2.00	1.312	2.115	1.502	1.752	1.500	.562	.531	1/2-13	225	1/2-13X3.00
W172-32-32	W177-32-32	2.00	3.06	4.33	1.688	3.062	3.81	2.28	2.50	1.656	2.490	2.002	2.002	1.875	.625	.531	1/2-13	228	1/2-13X3.50
W172-36-32	W177-36-32	2.00	3.06	4.33	1.688	3.062	3.81	2.28	2.50	1.656	2.490	2.002	2.252	2.000	.625	.531	1/2-13	228	1/2-13X3.50

CODE 62 ELBOW SOCKET WELD - TUBE

PART NO. O-RING FIG. 1	PART NO. FLAT FACE FIG. 2	PAD SIZE	A	B	C	D	E	F	G	H	J	K	L	M	N	P	R UNC-2B	MOUNTING HARDWARE	
																		O-RING	SHCS
W182-12-12	W187-12-12	.75	1.94	2.75	.937	2.000	2.62	1.66	1.50	1.062	1.250	.752	.752	.625	.56	.406	3/8-16	214	3/8-16X2.25
W182-16-12	W187-16-12	.75	1.94	2.75	.937	2.000	2.62	1.66	1.50	1.062	1.250	.752	1.002	.750	.62	.406	3/8-16	214	3/8-16X2.25
W182-16-16	W187-16-16	1.00	2.19	3.12	1.093	2.250	3.00	1.91	1.81	1.188	1.560	1.002	1.002	.875	.62	.492	7/16-14	219	7/16-14X2.50
W182-20-16	W187-20-16	1.00	2.19	3.12	1.093	2.250	3.00	1.91	1.81	1.188	1.560	1.002	1.252	1.000	.69	.492	7/16-14	219	7/16-14X2.50
W182-20-20	W187-20-20	1.25	2.56	3.69	1.250	2.625	3.32	2.05	2.00	1.312	1.750	1.252	1.252	1.125	.69	.531	1/2-13	222	1/2-13X3.00
W182-24-20	W187-24-20	1.25	2.56	3.69	1.250	2.625	3.32	2.05	2.00	1.312	1.750	1.252	1.502	1.250	.75	.531	1/2-13	222	1/2-13X3.00
W182-24-24	W187-24-24	1.50	3.06	4.33	1.437	3.125	3.81	2.28	2.50	1.656	2.115	1.502	1.502	1.375	.75	.656	5/8-11	225	5/8-11X3.50
W182-28-24	W187-28-24	1.50	3.06	4.33	1.437	3.125	3.81	2.28	2.50	1.656	2.115	1.502	1.752	1.500	.75	.656	5/8-11	225	5/8-11X3.50

3000 Series Square Pattern

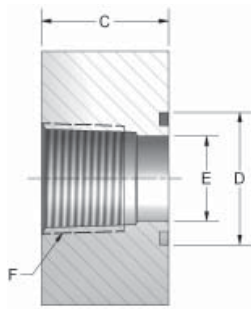
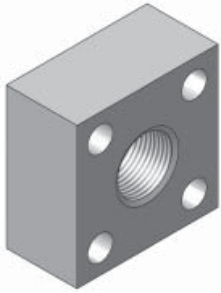


Figure 1

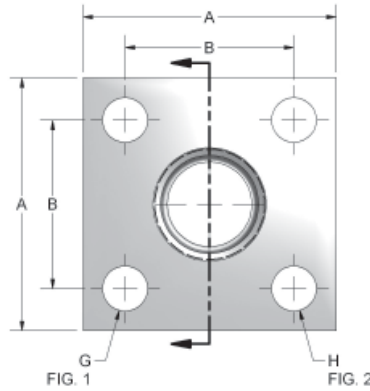


FIG. 1 FIG. 2

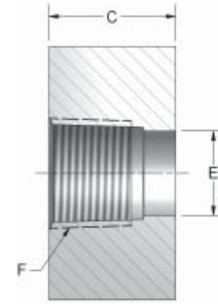


Figure 2

3000 SERIES SQUARE NPTF THREAD												
PART NO. O-RING FIG. 1	PART NO. FLAT FACE FIG. 2	PAD SIZE	A	B	C	D	E	F NPTF	G	H UNC-2B	MOUNTING HARDWARE	
											O-RING	SHCS
W65-12	W75-12	.75	2.25	1.438	1.25	1.250	.752	.75	.406	3/8-16	214	3/8-16X2.00
W65-16	W75-16	1.00	3.00	2.000	1.50	1.560	1.002	1.00	.531	1/2-13	219	1/2-13X2.25
W65-20	W75-20	1.25	3.00	2.000	1.50	1.750	1.252	1.25	.531	1/2-13	222	1/2-13X2.25
W65-24	W75-24	1.50	4.00	2.750	1.75	2.115	1.502	1.50	.656	5/8-11	225	5/8-11X2.75
W65-32	W75-32	2.00	4.00	2.750	1.75	2.490	2.002	2.00	.656	5/8-11	228	5/8-11X2.75
W65-40	W75-40	2.50	5.50	3.750	2.25	2.995	2.502	2.50	.906	7/8-9	232	7/8-9X3.50
W65-48	W75-48	3.00	5.50	3.750	2.25	3.615	3.002	3.00	.906	7/8-9	237	7/8-9X3.50

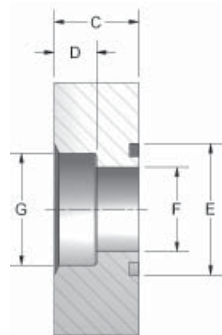
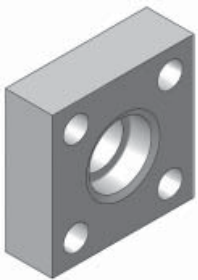


Figure 1

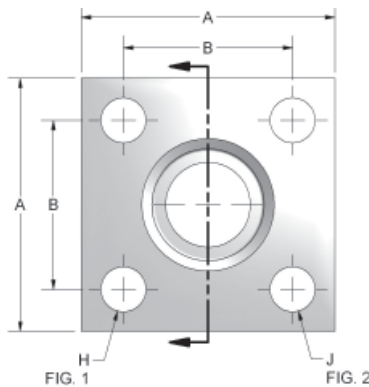


FIG. 1 FIG. 2

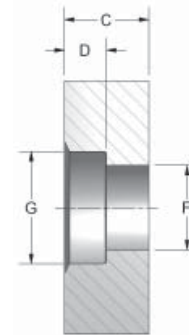


Figure 2

3000 SERIES SQUARE SOCKET WELD - PIPE													
PART NO. O-RING FIG. 1	PART NO. FLAT FACE FIG. 2	PAD SIZE	A	B	C	D	E	F	G	H	J UNC-2B	MOUNTING HARDWARE	
												O-RING	SHCS
W66-12	W76-12	.75	2.25	1.438	1.00	.50	1.250	.752	1.062	.406	3/8-16	214	3/8-16X1.75
W66-16	W76-16	1.00	3.00	2.000	1.00	.50	1.560	1.002	1.328	.531	1/2-13	219	1/2-13X1.75
W66-20	W76-20	1.25	3.00	2.000	1.00	.50	1.750	1.252	1.672	.531	1/2-13	222	1/2-13X1.75
W66-24	W76-24	1.50	4.00	2.750	1.25	.62	2.115	1.502	1.922	.656	5/8-11	225	5/8-11X2.25
W66-32	W76-32	2.00	4.00	2.750	1.25	.62	2.490	2.002	2.406	.656	5/8-11	228	5/8-11X2.25
W66-40	W76-40	2.50	5.50	3.750	1.50	.75	2.995	2.502	2.906	.906	7/8-9	232	7/8-9X2.75
W66-48	W76-48	3.00	5.50	3.750	1.50	.75	3.615	3.002	3.547	.906	7/8-9	237	7/8-9X2.75

FLOW, NEEDLE & CHECK VALVES

HYDRAULIC BALL VALVES

WELD COUPLINGS

FLANGES

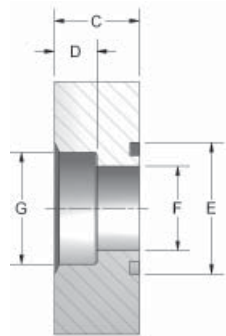
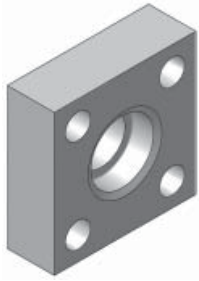


Figure 1

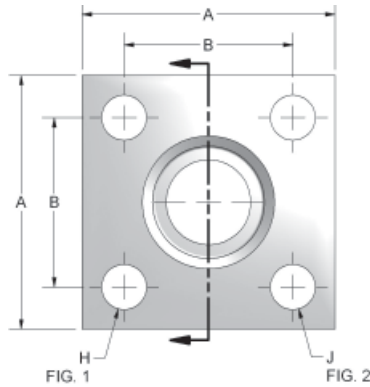


FIG. 1

FIG. 2

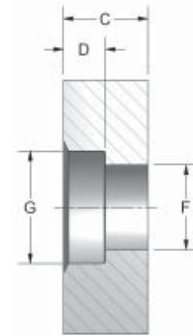


Figure 2

6000 SERIES SQUARE SOCKET WELD - PIPE													
PART NO. O-RING FIG. 1	PART NO. FLAT FACE FIG. 2	PIPE SIZE	A	B	C	D	E	F	G	H	J UNC-2B	MOUNTING HARDWARE	
												O-RING	SHCS
W56-8	W57-8	.50	2.25	1.438	1.00	.50	1.00	.50	.860	.41	3/8-16	210	3/8-16X1.75
W56-12	W57-12	.75	2.50	1.750	1.00	.50	1.250	.62	1.070	.41	3/8-16	214	3/8-16X1.75
W56-16	W57-16	1.00	3.00	2.000	1.00	.50	1.560	.81	1.335	.53	1/2-13	219	1/2-13X2.00
W56-20	W57-20	1.25	4.00	2.750	1.25	.50	1.750	1.12	1.680	.66	5/8-11	222	5/8-11X2.50
W56-24	W57-24	1.50	4.00	2.750	1.50	.62	2.115	1.38	1.920	.66	5/8-11	225	5/8-11X2.75
W56-32	W57-32	2.00	5.00	3.500	1.75	.62	2.490	1.69	2.411	.78	3/4-10	228	3/4-10X3.50
W56-40	W57-40	2.50	5.50	3.750	1.75	.75	2.995	2.12	2.911	.94	7/8-9	232	7/8-9X3.50
W56-48	W57-48	3.00	6.75	4.750	2.00	.75	3.615	2.62	3.540	1.06	1-8	236	1-8X4.00



Stainless Steel

The standard grade of material for Anchor's stainless steel flanges is 316L. Other material grades are available upon request. In addition, material grades and flange dimensions may vary due to availability of raw material.

FLOW, NEEDLE & CHECK VALVES

HYDRAULIC BALL VALVES

WELD COUPLINGS

FLANGES

J518 Split & Captive Flange



FLOW, NEEDLE & CHECK VALVES

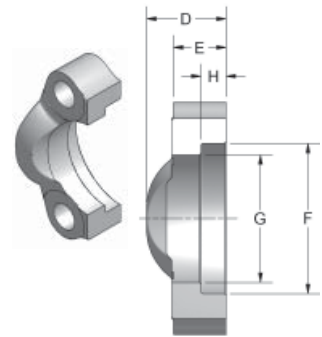
HYDRAULIC BALL VALVES

WELD COUPLINGS

FLANGES

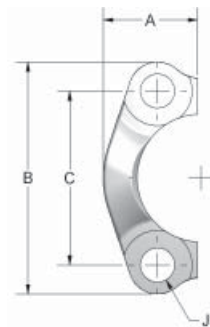
CODE 61 SPLIT FLANGE

*PART NO.	**KIT PART NO.	FLANGE SIZE	A	B	C	D	E	F	G	H	J	MOUNTING HARDWARE	
												O-RING	HHCS
8SF-2-SS	8SFO-SS	.50	.86	2.12	1.500	.75	.50	1.219	.955	.245	.344	210	5/16-18X1.25
12SF-2-SS	12SFO-SS	.75	.98	2.56	1.875	.88	.56	1.531	1.265	.245	.406	214	3/8-16X1.25
16SF-2-SS	16SFO-SS	1.00	1.11	2.75	2.062	.94	.62	1.781	1.515	.295	.406	219	3/8-16X1.25
20SF-2-SS	20SFO-SS	1.25	1.39	3.12	2.312	.88	.56	2.031	1.720	.295	.469	222	7/16-14X1.50
24SF-2-SS	24SFO-SS	1.50	1.58	3.69	2.750	1.00	.62	2.406	2.000	.295	.531	225	1/2-13X1.50
32SF-2-SS	32SFO-SS	2.00	1.86	4.00	3.062	1.03	.62	2.844	2.470	.355	.531	228	1/2-13X1.50
40SF-2-SS	40SFO-SS	2.50	2.09	4.50	3.500	1.50	.75	3.344	2.950	.355	.531	232	1/2-13X1.75
48SF-2-SS	48SFO-SS	3.00	2.53	5.31	4.188	1.62	.88	4.031	3.580	.355	.656	237	5/8-11X1.75
56SF-2-SS	56SFO-SS	3.50	2.70	6.00	4.750	1.12	.88	4.531	4.030	.422	.656	241	5/8-11X2.00
64SF-2-SS	64SFO-SS	4.00	2.95	6.38	5.125	1.38	1.00	5.031	4.530	.422	.656	245	5/8-11X2.00



CODE 62 SPLIT FLANGE

*PART NO.	**KIT PART NO.	FLANGE SIZE	A	B	C	D	E	F	G	H	J	MOUNTING HARDWARE	
												O-RING	HHCS
8SFX-2-SS	8SFXO-SS	.50	.89	2.22	1.594	.88	.62	1.281	.970	.285	.344	210	5/16-18X1.50
12SFX-2-SS	12SFXO-SS	.75	1.14	2.81	2.000	1.12	.75	1.656	1.280	.325	.406	214	3/8-16X1.50
16SFX-2-SS	16SFXO-SS	1.00	1.33	3.19	2.250	1.31	.94	1.906	1.530	.355	.469	219	7/16-14X1.75
20SFX-2-SS	20SFXO-SS	1.25	1.48	3.75	2.625	1.50	1.06	2.156	1.750	.385	.531	222	1/2-13X1.75
24SFX-2-SS	24SFXO-SS	1.50	1.83	4.44	3.125	1.69	1.19	2.531	2.030	.475	.656	225	5/8-11X2.25
32SFX-2-SS	32SFXO-SS	2.00	2.20	5.25	3.812	2.06	1.44	3.156	2.660	.475	.781	228	3/4-10X2.75



*ANCHOR PART # INCLUDES: (1) SPLIT FLANGE HALF ONLY

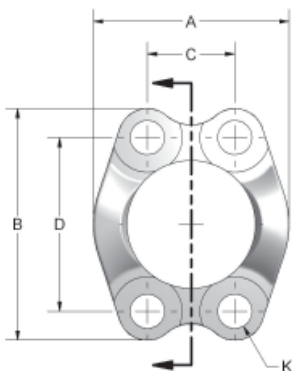
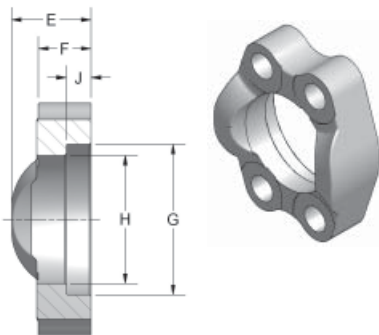
**KIT PART # INCLUDES: (2) SPLIT FLANGE HALVES, (4) HEX HEAD BOLTS WITH LOCKWASHERS, AND (1) VITON O-RING

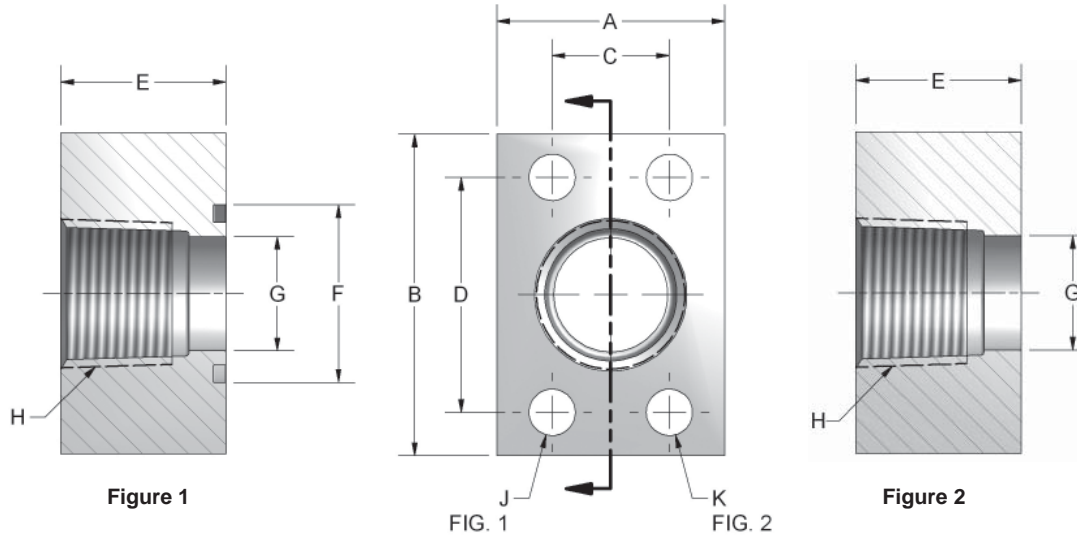
CODE 61 CAPTIVE FLANGE

DRILLED PART NO.	TAPPED PART NO.	FLANGE SIZE	A	B	C	D	E	F	G	H	J	K	K UNC-2B
8SFW-SS	8SFTW-SS	.50	1.81	2.12	.688	1.500	.75	.50	1.219	.955	.245	.344	5/16-18
12SFW-SS	12SFTW-SS	.75	2.06	2.56	.875	1.875	.88	.56	1.531	1.265	.245	.406	3/8-16
16SFW-SS	16SFTW-SS	1.00	2.31	2.75	1.031	2.062	.94	.62	1.781	1.515	.295	.406	3/8-16
20SFW-SS	20SFTW-SS	1.25	2.88	3.12	1.188	2.312	.88	.56	2.031	1.720	.295	.469	7/16-14
24SFW-SS	24SFTW-SS	1.50	3.25	3.69	1.406	2.750	1.00	.62	2.406	2.000	.295	.531	1/2-13
32SFW-SS	32SFTW-SS	2.00	3.81	4.00	1.688	3.062	1.03	.62	2.844	2.470	.355	.531	1/2-13
40SFW-SS	40SFTW-SS	2.50	4.28	4.50	2.000	3.500	1.50	.75	3.344	2.950	.355	.531	1/2-13
48SFW-SS	48SFTW-SS	3.00	5.16	5.31	2.438	4.188	1.62	.88	4.031	3.580	.355	.656	5/8-11
56SFW-SS	56SFTW-SS	3.50	5.50	6.00	2.750	4.750	1.12	.88	4.531	4.030	.422	.656	5/8-11
64SFW-SS	64SFTW-SS	4.00	6.00	6.38	3.062	5.125	1.38	1.00	5.031	4.530	.422	.656	5/8-11

CODE 62 CAPTIVE FLANGE

DRILLED PART NO.	TAPPED PART NO.	FLANGE SIZE	A	B	C	D	E	F	G	H	J	K	K UNC-2B
8SFXW-SS	8SFXTW-SS	.50	1.86	2.22	.718	1.594	.88	.62	1.281	.970	.285	.344	5/16-18
12SFXW-SS	12SFXTW-SS	.75	2.38	2.81	.937	2.000	1.12	.75	1.656	1.280	.325	.406	3/8-16
16SFXW-SS	16SFXTW-SS	1.00	2.75	3.19	1.093	2.250	1.31	.94	1.906	1.530	.355	.469	7/16-14
20SFXW-SS	20SFXTW-SS	1.25	3.06	3.75	1.250	2.625	1.50	1.06	2.156	1.750	.385	.531	1/2-13
24SFXW-SS	24SFXTW-SS	1.50	3.75	4.44	1.437	3.125	1.69	1.19	2.531	2.030	.475	.656	5/8-11
32SFXW-SS	32SFXTW-SS	2.00	4.50	5.25	1.750	3.812	2.06	1.44	3.156	2.660	.475	.781	3/4-10





FLOW, NEEDLE & CHECK VALVES

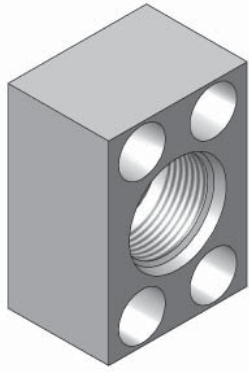
HYDRAULIC BALL VALVES

WELD COUPLINGS

FLANGES

CODE 61 NPTF THREAD															
PART NO. O-RING FIG. 1	PART NO. FLAT FACE FIG. 2	PIPE SIZE	PAD SIZE	A	B	C	D	E	F	G	H NPTF	J	K UNC-2B	MOUNTING HARDWARE	
														O-RING	SHCS
W43-8-8-SS	W104-8-8-SS	.50	.50	1.50	2.12	.688	1.500	1.20	1.000	.502	.50	.344	5/16-18	210	5-16-18X1.75
W43-12-12-SS	W104-12-12-SS	.75	.75	1.75	2.62	.875	1.875	1.20	1.250	.752	.75	.406	3/8-16	214	3/8-16X2.00
W43-16-16-SS	W104-16-16-SS	1.00	1.00	2.00	2.82	1.031	2.062	1.45	1.560	1.002	1.00	.406	3/8-16	219	3/8-16X2.25
W43-20-20-SS	W104-20-20-SS	1.25	1.25	2.50	3.19	1.188	2.312	1.45	1.750	1.252	1.25	.469	7/16-14	222	7/16-14X2.25
W43-24-24-SS	W104-24-24-SS	1.50	1.50	2.75	3.75	1.406	2.750	1.70	2.115	1.502	1.50	.531	1/2-13	225	1/2-13X2.50
W43-32-32-SS	W104-32-32-SS	2.00	2.00	3.25	4.00	1.688	3.062	1.70	2.490	2.002	2.00	.531	1/2-13	228	1/2-13X2.50
W43-40-40-SS	W104-40-40-SS	2.50	2.50	4.00	4.50	2.000	3.500	1.95	2.995	2.502	2.50	.531	1/2-13	232	1/2-13X2.75
W43-48-48-SS	W104-48-48-SS	3.00	3.00	4.50	5.31	2.438	4.188	2.20	3.615	3.002	3.00	.656	5/8-11	237	5/8-11X3.00

CODE 62 NPTF THREAD															
PART NO. O-RING FIG. 1	PART NO. FLAT FACE FIG. 2	PIPE SIZE	PAD SIZE	A	B	C	D	E	F	G	H NPTF	J	K UNC-2B	MOUNTING HARDWARE	
														O-RING	SHCS
W44-8-8-SS	W45-8-8-SS	.50	.50	1.75	2.22	.718	1.594	.95	1.000	.502	.50	.344	5/16-18	210	5/16-18X1.50
W44-12-12-SS	W45-12-12-SS	.75	.75	2.00	2.81	.937	2.000	1.20	1.250	.752	.75	.406	3/8-16	214	3/8-16X2.00
W44-16-16-SS	W45-16-16-SS	1.00	1.00	2.25	3.19	1.093	2.250	1.45	1.560	1.002	1.00	.492	7/16-14	219	7/16-14X2.50
W44-20-20-SS	W45-20-20-SS	1.25	1.25	2.75	3.75	1.250	2.625	1.45	1.750	1.252	1.25	.531	1/2-13	222	1/2-13X2.25
W44-24-24-SS	W45-24-24-SS	1.50	1.50	3.25	4.50	1.437	3.125	1.70	2.115	1.502	1.50	.656	5/8-11	225	5/8-11X2.75
W44-32-32-SS	W45-32-32-SS	2.00	2.00	4.00	5.25	1.750	3.812	1.70	2.490	2.002	2.00	.781	3/4-10	228	3/4-10X3.00

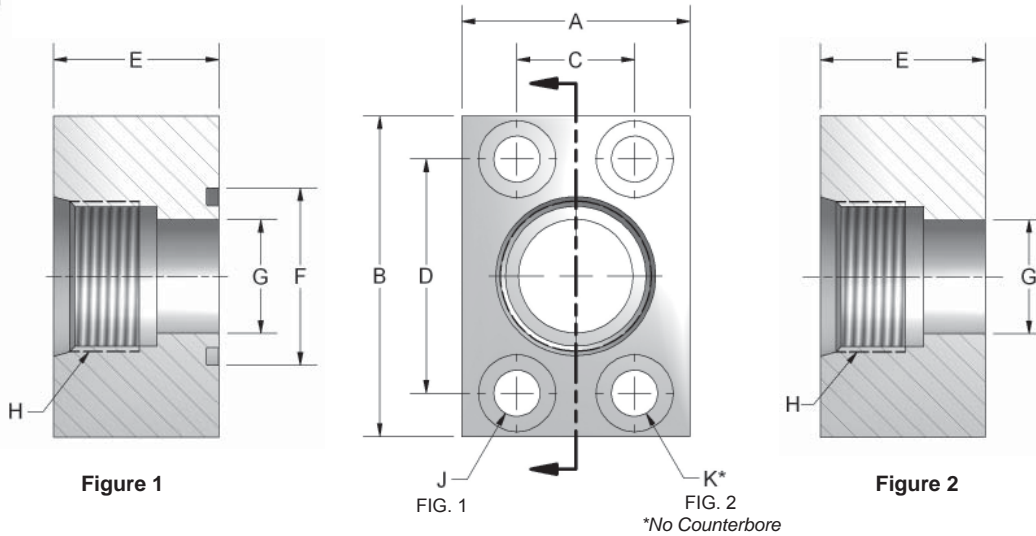


FLOW, NEEDLE & CHECK VALVES

HYDRAULIC BALL VALVES

WELD COUPLINGS

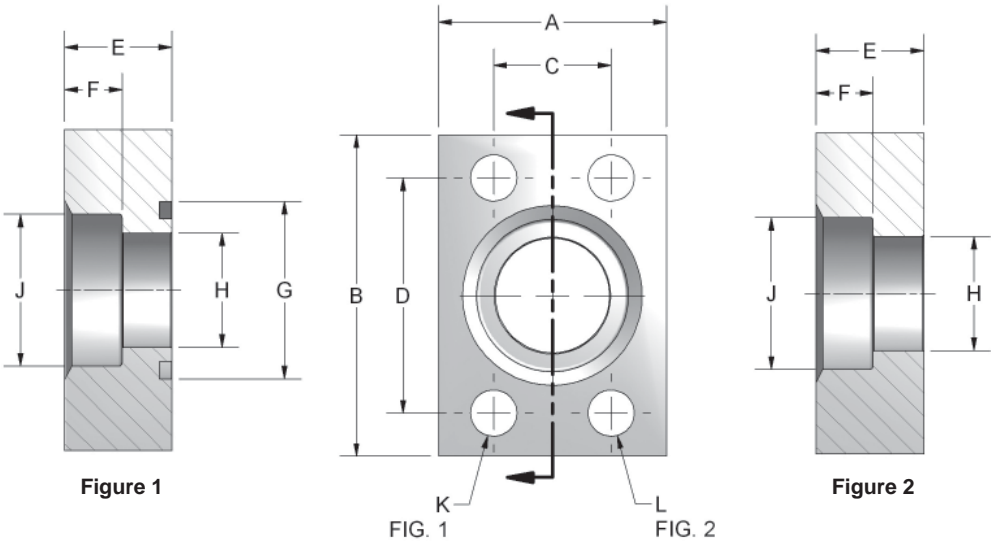
FLANGES



CODE 61 SAE STRAIGHT THREAD															
PART NO. O-RING FIG. 1	PART NO. FLAT FACE FIG. 2	TUBE SIZE	PAD SIZE	A	B	C	D	E	F	G	H UN/ UNF-2B	J	K UNC-2B	MOUNTING HARDWARE	
														O-RING	SHCS
W46-8-8-SS	W106-8-8-SS	.50	.50	1.50	2.12	.688	1.500	1.20	1.000	.502	3/4-16	.344	5/16-18	210	5-16-18X1.25
W46-12-12-SS	W106-12-12-SS	.75	.75	1.75	2.62	.875	1.875	1.20	1.250	.752	1 1/16-12	.406	3/8-16	214	3/8-16X1.50
W46-16-16-SS	W106-16-16-SS	1.00	1.00	2.00	2.82	1.031	2.062	1.45	1.560	1.002	1 5/16-12	.406	3/8-16	219	3/8-16X1.50
W46-20-20-SS	W106-20-20-SS	1.25	1.25	2.50	3.19	1.188	2.312	1.45	1.750	1.252	1 5/8-12	.469	7/16-14	222	7/16-14X1.75
W46-24-24-SS	W106-24-24-SS	1.50	1.50	2.75	3.75	1.406	2.750	1.70	2.115	1.502	1 7/8-12	.531	1/2-13	225	1/2-13X2.00
*W46-32-32-SS	W106-32-32-SS	2.00	2.00	3.25	4.00	1.688	3.062	1.70	2.490	2.002	2 1/2-12	.531	1/2-13	228	1/2-13X2.00

*NOTE: 500 PSI max for W46-32-32-SS

CODE 62 SAE STRAIGHT THREAD															
PART NO. O-RING FIG. 1	PART NO. FLAT FACE FIG. 2	TUBE SIZE	PAD SIZE	A	B	C	D	E	F	G	H UN/ UNF-2B	J	K UNC-2B	MOUNTING HARDWARE	
														O-RING	SHCS
W48-8-8-SS	W49-8-8-SS	.50	.50	1.75	2.22	.718	1.594	.95	1.000	.502	3/4-16	.344	5/16-18	210	5/16-18X1.25
W48-12-12-SS	W49-12-12-SS	.75	.75	2.00	2.81	.937	2.000	1.20	1.250	.752	1 1/16-12	.406	3/8-16	214	3/8-16X1.50
W48-16-16-SS	W49-16-16-SS	1.00	1.00	2.25	3.19	1.093	2.250	1.45	1.560	1.002	1 5/16-12	.492	7/16-14	219	7/16-14X1.75
W48-20-20-SS	W49-20-20-SS	1.25	1.25	2.75	3.75	1.250	2.625	1.45	1.750	1.252	1 5/8-12	.531	1/2-13	222	1/2-13X1.50
W48-24-24-SS	W49-24-24-SS	1.50	1.50	3.25	4.50	1.437	3.125	1.70	2.115	1.502	1 7/8-12	.656	5/8-11	225	5/8-11X2.00
W48-32-32-SS	W49-32-32-SS	2.00	2.00	4.00	5.25	1.750	3.812	1.70	2.490	2.002	2 1/2-12	.781	3/4-10	228	3/4-10X2.00



FLOW, NEEDLE & CHECK VALVES

HYDRAULIC BALL VALVES

WELD COUPLINGS

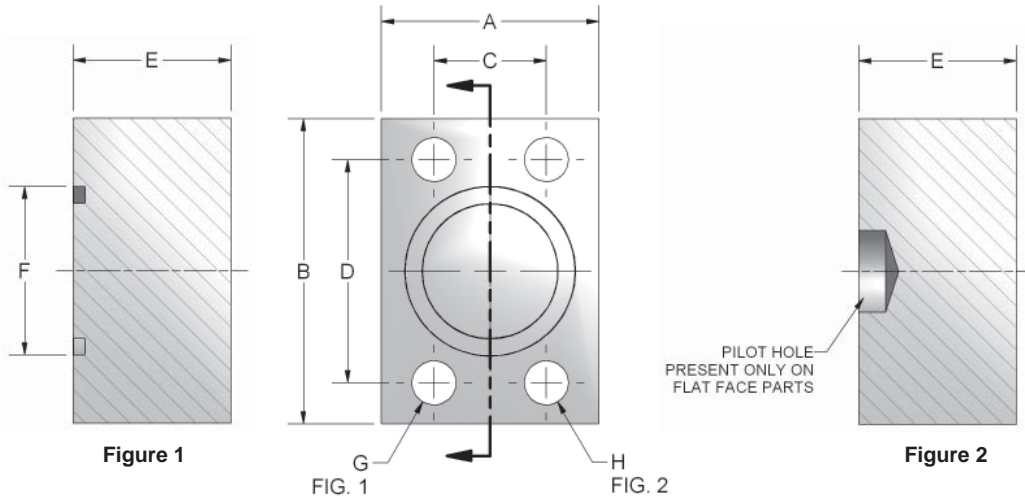
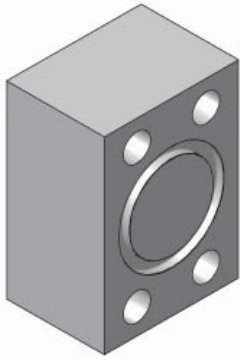
FLANGES

CODE 61 FLAT SOCKET WELD - PIPE																
PART NO. O-RING FIG. 1	PART NO. FLAT FACE FIG. 2	PIPE SIZE	PAD SIZE	A	B	C	D	E	F	G	H	J	K	L UNC-2B	MOUNTING HARDWARE	
															O-RING	SHCS
W4-8-8-SS	W61-8-8-SS	.50	.50	1.50	2.12	.688	1.500	.69	.38	1.000	.502	.860	.344	5/16-18	210	5/16-18X1.25
W4-12-12-SS	W61-12-12-SS	.75	.75	1.75	2.62	.875	1.875	.94	.50	1.250	.752	1.070	.406	3/8-16	214	3/8-16X1.75
W4-16-16-SS	W61-16-16-SS	1.00	1.00	2.00	2.82	1.031	2.062	.94	.50	1.560	1.002	1.335	.406	3/8-16	219	3/8-16X1.75
W4-20-20-SS	W61-20-20-SS	1.25	1.25	2.50	3.19	1.188	2.312	.94	.50	1.750	1.252	1.680	.469	7/16-14	222	7/16-14X1.75
W4-24-24-SS	W61-24-24-SS	1.50	1.50	2.75	3.75	1.406	2.750	1.19	.50	2.115	1.502	1.920	.531	1/2-13	225	1/2-13X2.25
W4-32-32-SS	W61-32-32-SS	2.00	2.00	3.25	4.00	1.688	3.062	1.44	.62	2.490	2.002	2.411	.531	1/2-13	228	1/2-13X2.50
W4-40-40-SS	W61-40-40-SS	2.50	2.50	4.00	4.50	2.000	3.500	1.69	.75	2.995	2.502	2.911	.531	1/2-13	232	1/2-13X2.75
W4-48-48-SS	W61-48-48-SS	3.00	3.00	4.50	5.31	2.438	4.188	2.12	1.24	3.615	3.002	3.540	.656	5/8-11	237	5/8-11X3.50

CODE 62 FLAT SOCKET WELD - PIPE																
PART NO. O-RING FIG. 1	PART NO. FLAT FACE FIG. 2	PIPE SIZE	PAD SIZE	A	B	C	D	E	F	G	H	J	K	L UNC-2B	MOUNTING HARDWARE	
															O-RING	SHCS
W59-8-8-SS	W60-8-8-SS	.50	.50	1.75	2.22	.718	1.594	.940	.50	1.000	.502	.860	.344	5/16-18	210	5/16-18X1.50
W59-12-12-SS	W60-12-12-SS	.75	.75	2.00	2.81	.937	2.000	.940	.50	1.250	.752	1.070	.406	3/8-16	214	3/8-16X1.75
W59-16-16-SS	W60-16-16-SS	1.00	1.00	2.25	3.19	1.093	2.250	.940	.50	1.560	1.002	1.335	.492	7/16-14	219	7/16-14X1.75
W59-20-20-SS	W60-20-20-SS	1.25	1.25	2.75	3.75	1.250	2.625	1.19	.50	1.750	1.252	1.672	.531	1/2-13	222	1/2-13X2.25
W59-24-24-SS	W60-24-24-SS	1.50	1.50	3.25	4.50	1.437	3.125	1.44	.50	2.115	1.502	1.920	.656	5/8-11	225	5/8-11X2.75
W59-32-32-SS	W60-32-32-SS	2.00	2.00	4.00	5.25	1.750	3.812	1.69	.62	2.490	2.002	2.411	.781	3/4-10	228	3/4-10X3.00
W59-40-40-SS	W60-40-40-SS	2.50	2.50	5.00	6.88	2.312	4.875	1.94	.62	2.995	2.502	2.911	.906	7/8-9	232	7/8-9X3.50
W59-48-48-SS	W60-48-48-SS	3.00	3.00	6.00	8.50	2.812	6.000	2.44	.62	3.615	3.002	3.540	1.190	1-1/8-7	237	1-1/8-7X4.50

CODE 61 FLAT SOCKET WELD - PIPE																
PART NO. O-RING FIG. 1	PART NO. FLAT FACE FIG. 2	PIPE SIZE	PAD SIZE	A	B	C	D	E	F	G	H	J	K	L UNC-2B	MOUNTING HARDWARE	
															O-RING	SHCS
*W72-48-48-SS	*W91-48-48-SS	3.00	3.00	4.50	5.31	2.438	4.188	1.38	1.13	3.615	3.002	3.540	.656	5/8-11	237	5/8-11X2.50
W72-56-56-SS	W91-56-56-SS	3.50	3.50	5.00	6.00	2.750	4.750	1.44	1.19	4.095	3.502	4.054	.656	5/8-11	241	5/8-11X2.50
W72-64-64-SS	W91-64-64-SS	4.00	4.00	5.50	6.38	3.062	5.125	1.450	1.20	4.595	4.002	4.550	.656	5/8-11	245	5/8-11X2.50

*NOTE: 500 PSI max for W72-48-48-SS & W91-48-48-SS



CODE 61 BLANKING												
PART NO. O-RING FIG. 1	PART NO. FLAT FACE FIG. 2	PAD SIZE	A	B	C	D	E	F	G	H UNC-2B	MOUNTING HARDWARE	
											O-RING	SHCS
W36-8-8-SS	W37-8-8-SS	.50	1.50	2.12	.688	1.50	1.20	1.000	.344	5/16-18	210	5/16-18X2.00
W36-12-12-SS	W37-12-12-SS	.75	1.75	2.62	.875	1.875	1.20	1.250	.406	3/8-16	214	3/8-16X2.00
W36-16-16-SS	W37-16-16-SS	1.00	2.00	2.82	1.031	2.063	1.45	1.560	.406	3/8-16	219	3/8-16X2.25
W36-20-20-SS	W37-20-20-SS	1.25	2.50	3.19	1.188	2.313	1.45	1.750	.469	7/16-14	222	7/16-14X2.25
W36-24-24-SS	W37-24-24-SS	1.50	2.75	3.75	1.406	2.750	1.70	2.115	.531	1/2-13	225	1/2-13X2.50
W36-32-32-SS	W37-32-32-SS	2.00	3.25	4.00	1.688	3.063	1.70	2.490	.531	1/2-13	228	1/2-13X2.50
W36-40-40-SS	W37-40-40-SS	2.50	4.00	4.50	2.000	3.500	1.95	2.995	.531	1/2-13	232	1/2-13X2.75
W36-48-48-SS	W37-48-48-SS	3.00	4.50	5.31	2.438	4.188	2.20	3.615	.656	5/8-11	237	5/8-11X3.50
W36-56-56-SS	W37-56-56-SS	3.50	5.00	6.00	2.750	4.750	1.45	4.095	.656	5/8-11	241	5/8-11X2.75
W36-64-64-SS	W37-64-64-SS	4.00	5.50	6.38	3.062	5.125	1.45	4.595	.656	5/8-11	245	5/8-11X2.75

CODE 62 BLANKING												
PART NO. O-RING FIG. 1	PART NO. FLAT FACE FIG. 2	PAD SIZE	A	B	C	D	E	F	G	H UNC-2B	MOUNTING HARDWARE	
											O-RING	SHCS
W38-8-8-SS	W39-8-8-SS	.50	1.75	2.22	.718	1.594	.94	1.000	.344	5/16-18	210	5/16-18X1.50
W38-12-12-SS	W39-12-12-SS	.75	2.00	2.81	.937	2.000	1.19	1.250	.406	3/8-16	214	3/8-16X2.00
W38-16-16-SS	W39-16-16-SS	1.00	2.25	3.19	1.093	2.250	1.44	1.560	.492	7/16-14	219	7/16-14X2.25
W38-20-20-SS	W39-20-20-SS	1.25	2.75	3.75	1.250	2.625	1.44	1.750	.531	1/2-13	222	1/2-13X2.50
W38-24-24-SS	W39-24-24-SS	1.50	3.25	4.50	1.437	3.125	1.69	2.115	.656	5/8-11	225	5/8-11X2.75
W38-32-32-SS	W39-32-32-SS	2.00	4.00	5.25	1.750	3.812	1.69	2.490	.781	3/4-10	228	3/4-10X3.00
W38-40-40-SS	W39-40-40-SS	2.50	5.00	6.88	2.312	4.875	1.94	2.995	.906	7/8-9	232	7/8-9X3.75
W38-48-48-SS	W39-48-48-SS	3.00	6.00	8.50	2.812	6.000	2.44	3.615	1.190	1 1/8-7	237	1 1/8-7X4.50

FLOW, NEEDLE & CHECK VALVES

HYDRAULIC BALL VALVES

WELD COUPLINGS

FLANGES

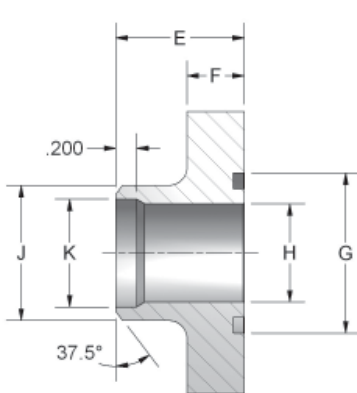


Figure 1

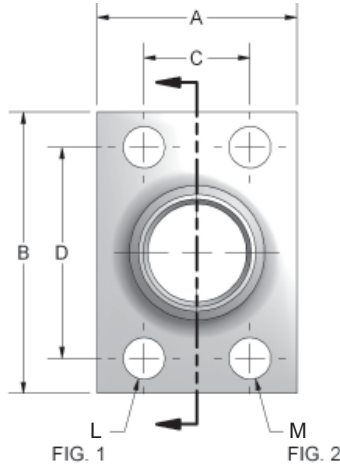


FIG. 1 FIG. 2

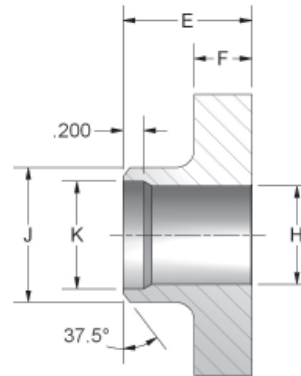
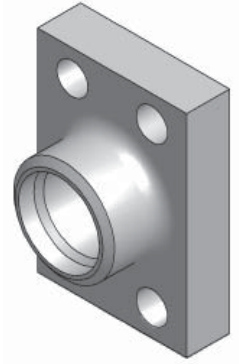


Figure 2



FLOW, NEEDLE & CHECK VALVES

HYDRAULIC BALL VALVES

WELD COUPLINGS

FLANGES

CODE 61 BUTT WELD - SCHEDULE 40 PIPE

PART NO. O-RING FIG. 1	PART NO. FLAT FACE FIG. 2	PIPE SIZE	PAD SIZE	A	B	C	D	E	F	G	H	J	K	L	M UNC-2B	MOUNTING HARDWARE	
																O-RING	SHCS
W35-8-SS	W34-8-SS	.50	.50	1.47	2.09	.688	1.500	1.06	.50	1.000	.548	.840	.624	.344	5/16-18	210	5/16-18X1.25
W35-12-SS	W34-12-SS	.75	.75	1.69	2.56	.875	1.875	1.06	.50	1.250	.744	1.050	.826	.406	3/8-16	214	3/8-16X1.25
W35-16-SS	W34-16-SS	1.00	1.00	1.94	2.75	1.031	2.062	1.25	.56	1.560	.959	1.315	1.051	.406	3/8-16	219	3/8-16X1.25
W35-20-SS	W34-20-SS	1.25	1.25	2.19	3.12	1.188	2.312	1.44	.62	1.750	1.280	1.660	1.382	.469	7/16-14	222	7/16-14X1.50
W35-24-SS	W34-24-SS	1.50	1.50	2.56	3.69	1.406	2.750	1.75	.81	2.115	1.502	1.900	1.612	.531	1/2-13	225	1/2-13X1.75
W35-32-SS	W34-32-SS	2.00	2.00	3.06	4.00	1.688	3.062	2.00	1.06	2.490	1.941	2.375	2.069	.531	1/2-13	228	1/2-13X2.00
W35-40-SS	W34-40-SS	2.50	2.50	3.56	4.50	2.000	3.500	2.31	1.12	2.995	2.325	2.875	2.471	.531	1/2-13	232	1/2-13X2.00
W35-48-SS	W34-48-SS	3.00	3.00	4.19	5.31	2.438	4.188	2.75	1.62	3.615	2.902	3.500	3.070	.656	5/8-11	237	5/8-11X2.75

CODE 61 BUTT WELD - SCHEDULE 80 PIPE

PART NO. O-RING FIG. 1	PART NO. FLAT FACE FIG. 2	PIPE SIZE	PAD SIZE	A	B	C	D	E	F	G	H	J	K	L	M UNC-2B	MOUNTING HARDWARE	
																O-RING	SHCS
W24-8-SS	W23-8-SS	.50	.50	1.50	2.12	.688	1.500	1.06	.50	1.000	.546	.840	SCHEDULE 40 ONLY	.344	5/16-18	210	5/16-18X1.25
W24-12-SS	W23-12-SS	.75	.75	1.69	2.56	.875	1.875	1.06	.50	1.250	.752	1.050		.406	3/8-16	214	3/8-16X1.25
W24-16-SS	W23-16-SS	1.00	1.00	1.94	2.75	1.031	2.062	1.25	.56	1.560	.959	1.315		.406	3/8-16	219	3/8-16X1.25
W24-20-SS	W23-20-SS	1.25	1.25	2.19	3.12	1.188	3.312	1.44	.62	1.750	1.280	1.660		.469	7/16-14	222	7/16-14X1.50
W24-24-SS	W23-24-SS	1.50	1.50	2.56	3.69	1.406	2.750	1.75	.81	2.115	1.502	1.900		.531	1/2-13	225	1/2-13X1.75
W24-32-SS	W23-32-SS	2.00	2.00	3.06	4.00	1.688	3.062	2.00	1.06	2.490	1.941	2.375		.531	1/2-13	228	1/2-13X2.00
W24-40-SS	W23-40-SS	2.50	2.50	3.56	4.50	2.000	3.500	2.31	1.12	2.995	2.325	2.875		.531	1/2-13	232	1/2-13X2.00
W24-48-SS	W23-48-SS	3.00	3.00	4.19	5.31	2.438	4.188	2.75	1.62	3.615	2.902	3.500		.656	5/8-11	237	5/8-11X2.75

CODE 61 BUTT WELD - SCHEDULE 160 PIPE

PART NO. O-RING FIG. 1	PART NO. FLAT FACE FIG. 2	PIPE SIZE	PAD SIZE	A	B	C	D	E	F	G	H	J	K	L	M UNC-2B	MOUNTING HARDWARE	
																O-RING	SHCS
W27-8-SS	W25-8-SS	.50	.50	1.50	2.12	.688	1.500	1.06	.50	1.000	.466	.840	SCHEDULE 40 ONLY	.344	5/16-18	210	5/16-18X1.25
W27-12-SS	W25-12-SS	.75	.75	1.69	2.56	.875	1.875	1.06	.50	1.250	.616	1.050		.406	3/8-16	214	3/8-16X1.25
W27-16-SS	W25-16-SS	1.00	1.00	1.94	2.75	1.031	2.062	1.25	.56	1.560	.817	1.315		.406	3/8-16	219	3/8-16X1.25
W27-20-SS	W25-20-SS	1.25	1.25	2.19	3.12	1.188	2.312	1.44	.62	1.750	1.162	1.660		.469	7/16-14	222	7/16-14X1.50
W27-24-SS	W25-24-SS	1.50	1.50	2.56	3.69	1.406	2.750	1.75	.81	2.115	1.339	1.900		.531	1/2-13	225	1/2-13X1.75
W27-32-SS	W25-32-SS	2.00	2.00	3.06	4.00	1.688	3.062	2.00	1.06	2.490	1.691	2.375		.531	1/2-13	228	1/2-13X2.00
W27-40-SS	W25-40-SS	2.50	2.50	3.56	4.50	2.000	3.500	2.31	1.12	2.995	2.127	2.875		.531	1/2-13	232	1/2-13X2.00
W27-48-SS	W25-48-SS	3.00	3.00	4.19	5.31	2.438	4.188	2.75	1.62	3.615	2.626	3.500		.656	5/8-11	237	5/8-11X2.75

Butt Weld Pipe

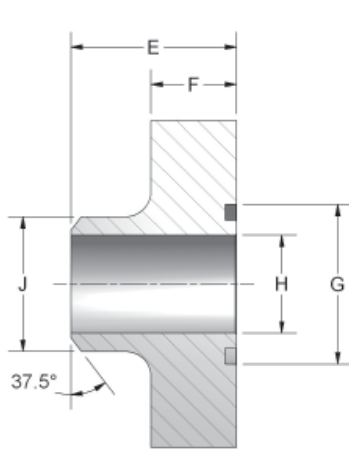
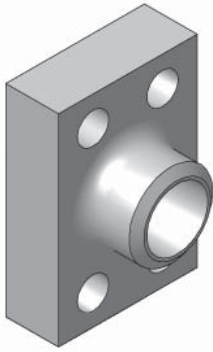


Figure 1

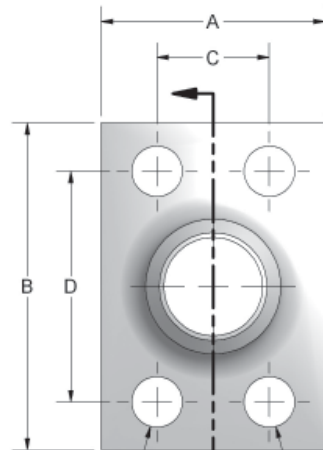


FIG. 1

FIG. 2

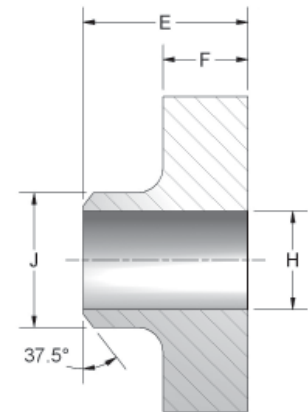


Figure 2

FLOW, NEEDLE & CHECK VALVES

HYDRAULIC BALL VALVES

WELD COUPLINGS

FLANGES

CODE 62 BUTT WELD - SCHEDULE 80 PIPE

PART NO. O-RING FIG. 1	PART NO. FLAT FACE FIG. 2	PIPE SIZE	PAD SIZE	A	B	C	D	E	F	G	H	J	K	L UNC-2B	MOUNTING HARDWARE	
															O-RING	SHCS
W28-12-SS	W26-12-SS	.75	.75	1.94	2.81	.937	2.000	1.42	.83	1.250	.744	1.050	.406	3/8-16	214	3/8-16X1.50
W28-16-SS	W26-16-SS	1.00	1.00	2.18	3.19	1.093	2.250	1.61	.83	1.560	.959	1.315	.492	7/16-14	219	7/16-14X1.50
W28-20-SS	W26-20-SS	1.25	1.25	2.44	3.75	1.250	2.625	1.73	.94	1.750	1.280	1.660	.531	1/2-13	222	1/2-13X2.00
W28-24-SS	W26-24-SS	1.50	1.50	2.81	4.44	1.437	3.125	2.17	1.10	2.115	1.502	1.900	.656	5/8-11	225	5/8-11X2.25
W28-32-SS	W26-32-SS	2.00	2.00	3.44	5.25	1.750	3.812	2.48	1.46	2.490	1.941	2.375	.781	3/4-10	228	3/4-10X3.00
*W28-40-SS	*W26-40-SS	2.50	2.50	5.00	6.88	2.312	4.875	2.37	1.50	2.995	2.325	2.875	.940	7/8-9	232	7/8-9X3.00
*W28-48-SS	*W26-48-SS	3.00	3.00	6.00	8.50	2.812	6.000	2.96	2.00	3.615	2.902	3.500	1.190	1-1/8-7	237	1-1/8-7X4.00

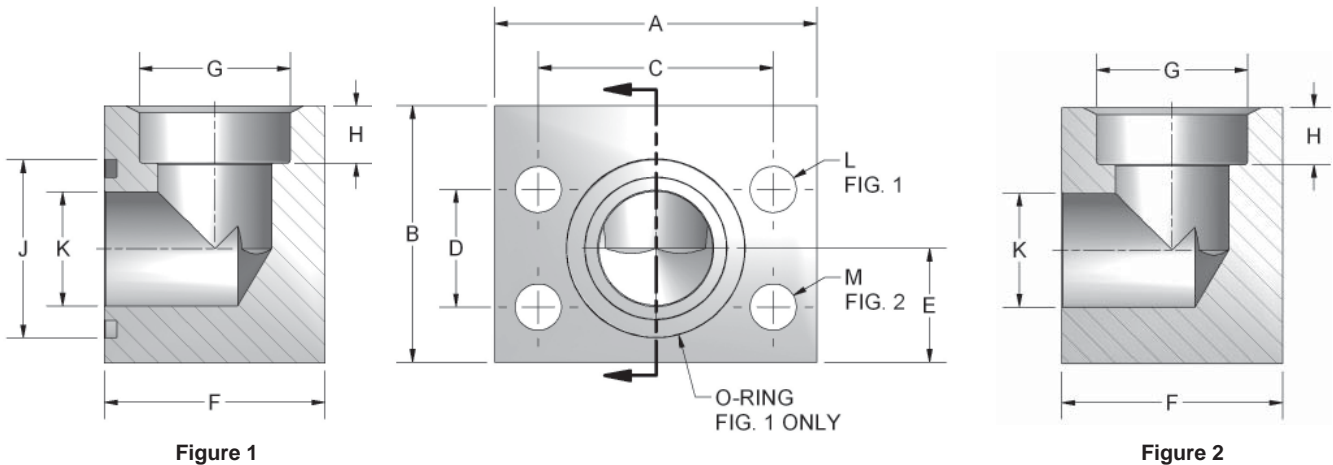
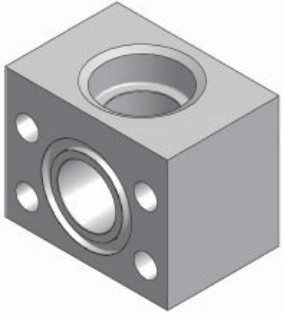
CODE 62 BUTT WELD - SCHEDULE 160 PIPE

PART NO. O-RING FIG. 1	PART NO. FLAT FACE FIG. 2	PIPE SIZE	PAD SIZE	A	B	C	D	E	F	G	H	J	K	L UNC-2B	MOUNTING HARDWARE	
															O-RING	SHCS
W30-12-SS	W29-12-SS	.75	.75	1.94	2.81	.937	2.000	1.42	.83	1.250	.616	1.050	.406	3/8-16	214	3/8-16X1.50
W30-16-SS	W29-16-SS	1.00	1.00	2.18	3.19	1.093	2.250	1.61	.83	1.560	.817	1.315	.492	7/16-14	219	7/16-14X1.50
W30-20-SS	W29-20-SS	1.25	1.25	2.44	3.75	1.250	2.625	1.73	.94	1.750	1.162	1.660	.531	1/2-13	222	1/2-13X2.00
W30-24-SS	W29-24-SS	1.50	1.50	2.81	4.44	1.437	3.125	2.17	1.10	2.115	1.339	1.900	.656	5/8-11	225	5/8-11X2.25
W30-32-SS	W29-32-SS	2.00	2.00	3.44	5.25	1.750	3.812	2.48	1.46	2.490	1.691	2.375	.781	3/4-10	228	3/4-10X3.00
*W30-40-SS	*W29-40-SS	2.50	2.50	5.00	6.88	2.312	4.875	2.37	1.50	2.995	2.127	2.875	.940	7/8-9	232	7/8-9X3.00
*W30-48-SS	*W29-48-SS	3.00	3.00	6.00	8.50	2.812	6.000	2.96	2.00	3.615	2.626	3.500	1.190	1-1/8-7	237	1-1/8-7X4.00

CODE 62 BUTT WELD - SCHEDULE XXS PIPE

PART NO. O-RING FIG. 1	PART NO. FLAT FACE FIG. 2	PIPE SIZE	PAD SIZE	A	B	C	D	E	F	G	H	J	K	L UNC-2B	MOUNTING HARDWARE	
															O-RING	SHCS
W33-12-SS	W32-12-SS	.75	.75	1.94	2.81	.937	2.000	1.42	.83	1.250	.436	1.050	.406	3/8-16	214	3/8-16X1.50
W33-16-SS	W32-16-SS	1.00	1.00	2.18	3.19	1.093	2.250	1.61	.83	1.560	.601	1.315	.492	7/16-14	219	7/16-14X1.50
W33-20-SS	W32-20-SS	1.25	1.25	2.44	3.75	1.250	2.625	1.73	.94	1.750	.898	1.660	.531	1/2-13	222	1/2-13X2.00
W33-24-SS	W32-24-SS	1.50	1.50	2.81	4.44	1.437	3.125	2.17	1.10	2.115	1.102	1.900	.656	5/8-11	225	5/8-11X2.25
W33-32-SS	W32-32-SS	2.00	2.00	3.44	5.25	1.750	3.812	2.48	1.46	2.490	1.505	2.375	.781	3/4-10	228	3/4-10X3.00
*W33-40-SS	*W32-40-SS	2.50	2.50	5.00	6.88	2.312	4.875	2.37	1.50	2.995	1.773	2.875	.940	7/8-9	232	7/8-9X3.00
*W33-48-SS	*W32-48-SS	3.00	3.00	6.00	8.50	2.812	6.000	2.96	2.00	3.615	2.302	3.500	1.190	1-1/8-7	237	1-1/8-7X4.00

*3000 PSI Max Working Pressure



FLOW, NEEDLE & CHECK VALVES

HYDRAULIC BALL VALVES

WELD COUPLINGS

FLANGES

CODE 61 ELBOW SOCKET WELD - PIPE																	
PART NO. O-RING FIG. 1	PART NO. FLAT FACE FIG. 2	PIPE SIZE	PAD SIZE	A	B	C	D	E	F	G	H	J	K	L	M UNC-2B	MOUNTING HARDWARE	
																O-RING	SHCS
W176-8-8-SS	W169-8-8-SS	.50	.50	2.12	1.75	1.500	.688	.75	1.44	.855	.380	1.000	.50	.344	5/16-18	210	5/16-18X2.00
W176-12-12-SS	W169-12-12-SS	.75	.75	2.62	2.00	1.875	.875	.88	1.70	1.062	.500	1.250	.75	.406	3/8-16	214	3/8-16X2.50
W176-16-16-SS	W169-16-16-SS	1.00	1.00	2.82	2.25	2.062	1.031	1.00	1.94	1.328	.500	1.560	1.00	.406	3/8-16	219	3/8-16X2.75
W176-20-20-SS	W169-20-20-SS	1.25	1.25	3.19	2.75	2.312	1.188	1.25	2.40	1.672	.500	1.750	1.25	.469	7/16-14	222	7/16-14X3.00
W176-24-24-SS	W169-24-24-SS	1.50	1.50	3.75	3.00	2.750	1.406	1.38	2.90	1.922	.500	2.115	1.50	.531	1/2-13	225	1/2-13X4.00
W176-32-32-SS	W169-32-32-SS	2.00	2.00	4.00	3.50	3.062	1.688	1.62	3.40	2.406	.500	2.490	2.00	.531	1/2-13	228	1/2-13X4.50
W176-40-40-SS	W169-40-40-SS	2.50	2.50	4.50	4.00	3.500	2.000	2.00	3.96	2.906	.500	2.995	2.50	.531	1/2-13	232	1/2-13X5.00
W176-48-48-SS	W169-48-48-SS	3.00	3.00	5.31	5.00	4.188	2.438	2.25	4.96	3.547	.625	3.615	3.00	.656	5/8-11	237	5/8-11X6.00

CODE 62 ELBOW SOCKET WELD - PIPE																	
PART NO. O-RING FIG. 1	PART NO. FLAT FACE FIG. 2	PIPE SIZE	PAD SIZE	A	B	C	D	E	F	G	H	J	K	L	M UNC-2B	MOUNTING HARDWARE	
																O-RING	SHCS
W186-8-8-SS	W189-8-8-SS	.50	.50	2.22	2.00	1.594	.718	.88	1.46	.860	.380	1.000	.50	.344	5/16-18	210	5/16-18X2.25
W186-12-12-SS	W189-12-12-SS	.75	.75	2.81	2.25	2.000	.937	1.00	1.70	1.062	.500	1.250	.75	.406	3/8-16	214	3/8-16X2.50
W186-16-16-SS	W189-16-16-SS	1.00	1.00	3.19	2.50	2.250	1.093	1.12	2.21	1.328	.500	1.560	1.00	.492	7/16-14	219	7/16-14X3.25
W186-20-20-SS	W189-20-20-SS	1.25	1.25	3.75	3.00	2.625	1.250	1.38	2.44	1.672	.500	1.750	1.25	.531	1/2-13	222	1/2-13X3.25
W186-24-24-SS	W189-24-24-SS	1.50	1.50	4.50	3.50	3.125	1.437	1.62	2.96	1.922	.500	2.115	1.50	.656	5/8-11	225	5/8-11X4.25
W186-32-32-SS	W189-32-32-SS	2.00	2.00	5.25	4.00	3.812	1.750	2.00	3.46	2.406	.500	2.490	2.00	.781	3/4-10	228	3/4-10X5.00

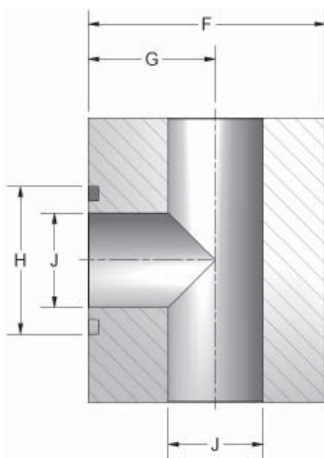
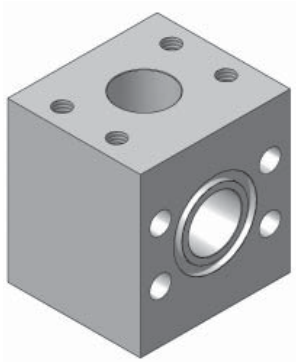


Figure 1

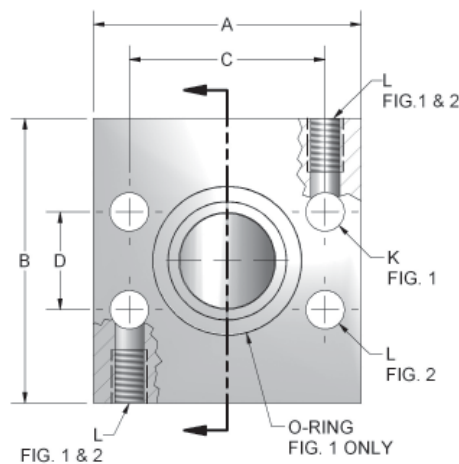


Figure 2

CODE 61 TEE JUNCTION BLOCK

PART NO. O-RING FIG. 1	PART NO. FLAT FACE FIG. 2	PAD SIZE	A	B	C	D	E	F	G	H	J	K	L UNC-2B	MOUNTING HARDWARE	
														O-RING	SHCS
W17-12-SS	W16-12-SS	.75	2.62	2.75	1.875	.875	1.38	2.25	1.22	1.250	.75	.406	3/8-16	214	3/8-16X3.00
W17-16-SS	W16-16-SS	1.00	2.82	3.00	2.062	1.031	1.50	2.50	1.34	1.560	1.00	.406	3/8-16	219	3/8-16X3.25
W17-20-SS	W16-20-SS	1.25	3.19	3.50	2.312	1.188	1.75	3.00	1.56	1.750	1.25	.492	7/16-14	222	7/16-14X4.00
W17-24-SS	W16-24-SS	1.50	3.75	4.00	2.750	1.406	2.00	3.50	1.88	2.115	1.50	.531	1/2-13	225	1/2-13X4.50
W17-32-SS	W16-32-SS	2.00	4.00	4.25	3.062	1.688	2.12	4.00	2.09	2.490	2.00	.531	1/2-13	228	1/2-13X5.00

CODE 62 TEE JUNCTION BLOCK

PART NO. O-RING FIG. 1	PART NO. FLAT FACE FIG. 2	PAD SIZE	A	B	C	D	E	F	G	H	J	K	L UNC-2B	MOUNTING HARDWARE	
														O-RING	SHCS
W19-12-SS	W18-12-SS	.75	2.81	3.00	2.000	.937	1.50	2.50	1.310	1.250	.750	.406	3/8-16	214	3/8-16X3.25
W19-16-SS	W18-16-SS	1.00	3.19	3.50	2.250	1.093	1.75	3.00	1.620	1.560	1.000	.492	7/16-14	219	7/16-14X4.00
W19-20-SS	W18-20-SS	1.25	3.75	4.00	2.625	1.250	2.00	3.50	1.880	1.750	1.250	.531	1/2-13	222	1/2-13X4.50
W19-24-SS	W18-24-SS	1.50	4.50	4.50	3.125	1.437	2.25	4.00	2.120	2.115	1.500	.656	5/8-11	225	5/8-11X5.00
W19-32-SS	W18-32-SS	2.00	5.25	5.00	3.812	1.750	2.50	5.00	2.750	2.490	1.940	.781	3/4-10	228	3/4-10X6.00

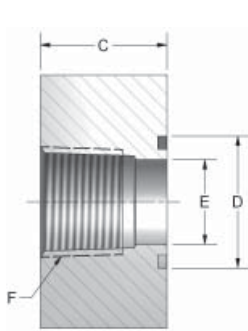


Figure 1

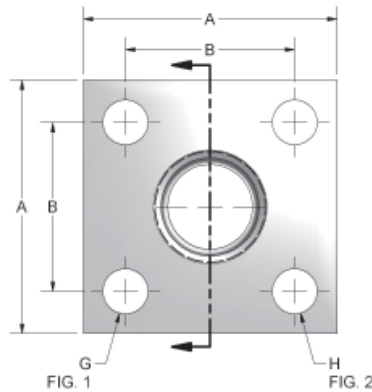


FIG. 1 FIG. 2

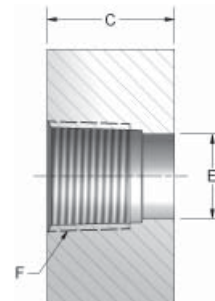
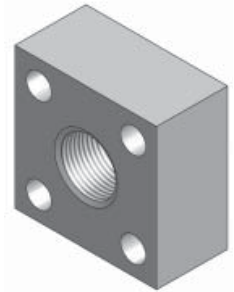


Figure 2



3000 SERIES SQUARE NPTF THREAD												
PART NO. O-RING FIG. 1	PART NO. FLAT FACE FIG. 2	PIPE SIZE	A	B	C	D	E	F NPTF	G	H UNC-2B	MOUNTING HARDWARE	
											O-RING	SHCS
W65-12-SS	W75-12-SS	.75	2.25	1.438	1.25	1.250	.752	.75	.406	3/8-16	214	3/8-16X2.00
W65-16-SS	W75-16-SS	1.00	3.00	2.000	1.50	1.560	1.002	1.00	.531	1/2-13	219	1/2-13X2.25
W65-20-SS	W75-20-SS	1.25	3.00	2.000	1.50	1.750	1.252	1.25	.531	1/2-13	222	1/2-13X2.25
W65-24-SS	W75-24-SS	1.50	4.00	2.750	1.75	2.115	1.502	1.50	.656	5/8-11	225	5/8-11X2.75
W65-32-SS	W75-32-SS	2.00	4.00	2.750	1.75	2.490	2.002	2.00	.656	5/8-11	228	5/8-11X2.75
W65-40-SS	W75-40-SS	2.50	5.50	3.750	2.25	2.995	2.502	2.50	.906	7/8-9	232	7/8-9X3.50
W65-48-SS	W75-48-SS	3.00	5.50	3.750	2.25	3.615	3.002	3.00	.906	7/8-9	237	7/8-9X3.50

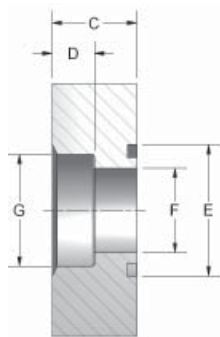


Figure 1

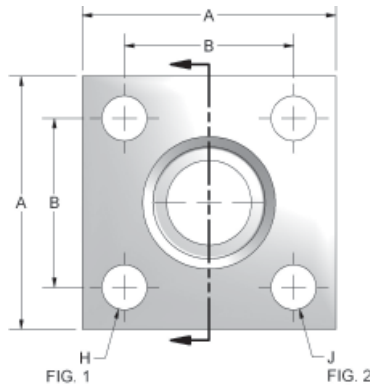


FIG. 1 FIG. 2

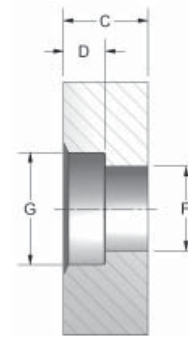
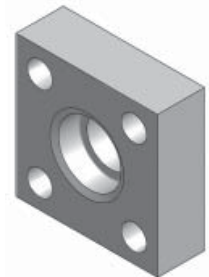


Figure 2



3000 SERIES SQUARE SOCKET WELD - PIPE													
PART NO. O-RING FIG. 1	PART NO. FLAT FACE FIG. 2	PIPE SIZE	A	B	C	D	E	F	G	H	J UNC-2B	MOUNTING HARDWARE	
												O-RING	SHCS
W66-12-SS	W76-12-SS	.75	2.25	1.438	1.00	.50	1.250	.752	1.062	.406	3/8-16	214	3/8-16X1.75
W66-16-SS	W76-16-SS	1.00	3.00	2.000	1.00	.50	1.560	1.002	1.328	.531	1/2-13	219	1/2-13X1.75
W66-20-SS	W76-20-SS	1.25	3.00	2.000	1.00	.50	1.750	1.252	1.672	.531	1/2-13	222	1/2-13X1.75
W66-24-SS	W76-24-SS	1.50	4.00	2.750	1.25	.62	2.115	1.502	1.922	.656	5/8-11	225	5/8-11X2.25
W66-32-SS	W76-32-SS	2.00	4.00	2.750	1.25	.62	2.490	2.002	2.406	.656	5/8-11	228	5/8-11X2.25
W66-40-SS	W76-40-SS	2.50	5.50	3.750	1.50	.75	2.995	2.502	2.906	.906	7/8-9	232	7/8-9X2.75
W66-48-SS	W76-48-SS	3.00	5.50	3.750	1.50	.75	3.615	3.002	3.547	.906	7/8-9	237	7/8-9X2.75

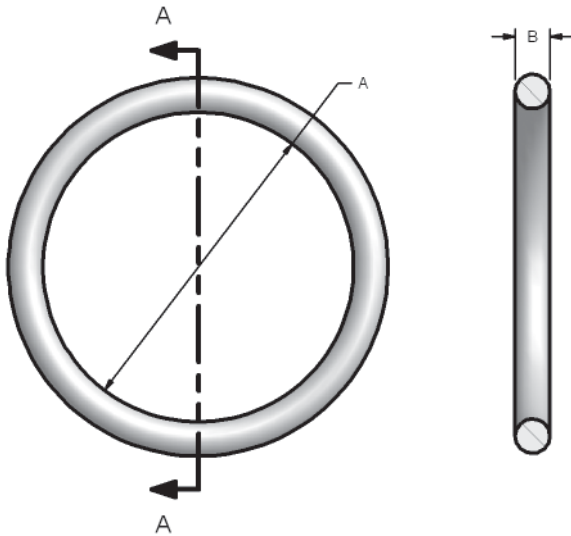
FLOW, NEEDLE & CHECK VALVES

HYDRAULIC BALL VALVES

WELD COUPLINGS

FLANGES

All measurements are in inches.

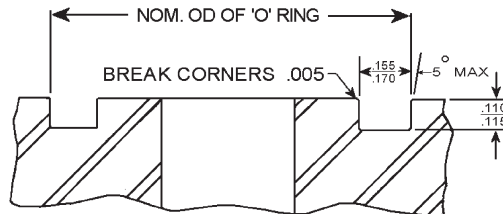


90 DUROMETER BUNA-N O-RING FOR SPLIT CLAMP HEADS

O-RING	SIZE	A	B
210	0.50	0.75	0.139
214	0.75	1.00	0.139
219	1.00	1.31	0.139
222	1.25	1.50	0.139
225	1.50	1.88	0.139
228	2.00	2.25	0.139
232	2.50	2.75	0.139
237	3.00	3.38	0.139
241	3.50	3.88	0.139
245	4.00	4.38	0.139
253	5.00	5.38	0.139

ALSO AVAILABLE IN VITON

STANDARD "ANCHOR FLUID POWER" O-RING GROOVE



LIMITED WARRANTY

Anchor Fluid Power warrants only that the products conform to the dimensions set forth in its catalog at the time of sale. Catalog dimensions are subject to change. This warranty is made in lieu of all other warranties, expressed or implied. All other warranties, expressed or implied, **INCLUDING ANY WARRANTY OF MERCHANTABILITY OR FITNESS FOR A PARTICULAR PURPOSE**, are excluded and will not apply to the products sold. If buyer disassembles or modifies the unit in any way, warranty is void.

Buyer must obtain written authorization from Anchor Fluid Power prior to returning products. Nonconforming products must be returned to Anchor Fluid Power within 30 days of delivery to buyer.

Internal material defects may not be commercially detectable. Under no circumstances will Anchor Fluid Power be liable for any damages or claims with respect to soundness of material.

No employee, agent, or representative of Anchor Fluid Power has the authority to vary the terms of the warranty described herein, or to extend this warranty to anyone other than Anchor Fluid Power's direct customers.

LIMITATION OF DAMAGES

Buyer's sole and exclusive remedy against Anchor Fluid Power for nonconforming products will be the furnishing of replacement products (F.O.B. Anchor Fluid Power) or refund or credit.

Anchor Fluid Power shall not be liable to buyer, its employees, agents, customers, or to any third party for any claim, loss or damage, general or specific, incidental or consequential, including but not limited to death, personal injury, property damage, lost sales or lost profit, which in any way arises out of or in connection with the sale of any product or the use or nonuse of such products, even if Anchor Fluid Power has been advised of the possibility of such loss or damage.

Certificate of Registration



This is to certify that the Quality Management System of:

Anchor Fluid Power
5555 Fair Lane
Cincinnati, OH 45227

Also includes:

Anchor Fluid Power
6529 Cunningham Road
Suite 2404
Houston, TX 77041

applicable to:

Manufacture and distribution of fluid power components and hydraulic flanges

has been assessed and approved by
National Quality Assurance, U.S.A., against the provisions of:

ISO 9001:2000



For and on behalf
of NQA, USA, Acton, MA 01720

Certificate Number: 10496
EAC Code: 18
First Issued: August 6, 1999
Valid Until: July 14, 2011
Reissued: July 14, 2008



FLOW, NEEDLE & CHECK VALVES

HYDRAULIC BALL VALVES

WELD COUPLINGS

FLANGES

300	.69
302	.69
304	.70
340	.70
344	.70
390	.71
394	.71
600	.69
602	.69
604	.70
640	.70
644	.70
690	.71
694	.71
820	.57
825	.54
830	.54
835	.55
835B	.55
840	.57
845	.56
845B	.56
850	.58
855	.59
855B	.59
860	.58
880	.60
885	.60
1453	.76
51437	.77
AB2	.20
AB3	.32
ABF	.40
ABS/F	.42
ABS	.36
ACB/ACBX	.80
ADOS/ADOSX	.81

AE2	.18
AE2OF	.26
AE3	.28
AE3K	.30
AEF	.38
AES/F	.42
AES	.34
AFA/AFAC	.84
AOP/AOPX	.83
APK	.44
AS/ASX	.82
AV2	.22
AV3	.24
C0020ZB	.47
C10106H	.47
C1010ZB	.47
C1200ZB	.47
C2950AV	.47
C69206H	.47
C81302B	.47
C92501Z	.47
CB	.4
CN	.4
CN**	.10
CP/CPX	.80
CS	.4
FB	.6
F-FO	.74
FN	.6
FN**	.11
FOP/FP	.79
FOPX/FPX	.79
FS	.6
G	.46
LK	.46
LV2B	.48
MV2B	.49



NB.....	8	W18*.....	116
NN.....	8	W180.....	101
NN**.....	12	W182.....	103
NS.....	8	W184.....	101
P-BWSF/P-BWSFN.....	72	W185.....	101
P-BWSFX/P-BWSFXN.....	73	W186.....	103
PTX.....	78	W186*.....	115
P-WSF.....	74	W187.....	102
SF-2/SFX-2.....	68	W188.....	101
SF-2/SFX-2*.....	108	W189.....	102
S-FO.....	74	W189*.....	115
SFW/SFTW.....	68	W19.....	100
SFW/SFTW*.....	108	W19*.....	116
SFXW/SFXTW.....	68	W192.....	89
SFXW/SFXTW*.....	108	W193.....	89
SP/SPX.....	86	W194.....	89
T-SF/T-SFN.....	75	W195.....	89
T-SFX/T-SFXN.....	75	W22.....	99
W104.....	87	W23.....	96
W104*.....	109	W23*.....	113
W106.....	88	W24.....	96
W106*.....	110	W24*.....	113
W16.....	100	W25.....	96
W16*.....	116	W25*.....	113
W164.....	101	W26.....	97
W165.....	101	W26*.....	114
W168.....	101	W27.....	96
W169.....	102	W27*.....	113
W169*.....	115	W28.....	97
W17.....	100	W28*.....	114
W17*.....	116	W29.....	97
W170.....	101	W29*.....	114
W172.....	103	W3.....	94
W176.....	102	W30.....	97
W176*.....	115	W30*.....	114
W177.....	103	W300.....	90
W18.....	100	W304.....	91

FLOW, NEEDLE & CHECK VALVES

HYDRAULIC BALL VALVES

WELD COUPLINGS

FLANGES



FLOW, NEEDLE & CHECK VALVES

HYDRAULIC BALL VALVES

WELD COUPLINGS

FLANGES

W31	.94
W32	.97
W32*	114
W33	.97
W33*	114
W34	.96
W34*	113
W35	.96
W35*	113
W36	.85
W36*	112
W37	.85
W37*	112
W38	.85
W38*	112
W39	.85
W39*	112
W4	.92
W4*	111
W43	.87
W43*	109
W44	.87
W44*	109
W45	.87
W45*	109
W46	.88
W46*	110
W48	.88
W48*	110
W49	.88
W49*	110
W5	.95
W51	.95
W53	.74
W58	.93
W59	.92
W59*	111

W6	.93
W60	.92
W60*	111
W600	.90
W604	.91
W61	.92
W61*	111
W62	.93
W63	.93
W65	104
W65*	117
W66	104
W66*	117
W69	.98
W7	.98
W72	.92
W72*	111
W75	104
W75*	117
W76	104
W76*	117
W8	.98
W80	.94
W81	.94
W82	.95
W83	.95
W87	.98
W91	.92
W91*	111

*Stainless Steel

**Brass

